

CAST IRON GLOBE VALVE PN16



Lloyd's
Register
PED/2014/68/EU



Certificate 3.1

Size : DN 15 to DN 250
Ends : PN16 Flanges R.F.
Min Temperature : - 10°C
Max Temperature : + 120°C
Max Pressure : 16 Bars (up to DN150)
Specifications : Rising rotating stem and handwheel
Bolted bonnet and gland pack
SS seat

Materials : Cast iron body EN GJL-250

CAST IRON GLOBE VALVE PN16

SPECIFICATIONS :

- Respect the flow direction indicated by the arrow
- Rising rotating stem and handwheel
- Bolted bonnet and gland pack
- Stainless steel seat
- PN16 Flanges R.F.
- Painting RAL 7011 grey color, 90 µm thickness

USE :

- Heating, water distribution and watering
- Min and max Temperature Ts : - 10°C to + 120°C
- Max Pressure Ps : 16 bars up to DN150, 14 bars for DN200, 9 bars for DN250 (see graph page 3)
- Keep greased the stem
- **Do not use for steam**
- Tighten the gland packing during the setting

RANGE :

- Cast iron body PN16 flanged R.F. **Ref. 470** from DN 15 to DN 250

FLOW COEFFICIENT Kvs (M3 / h) :

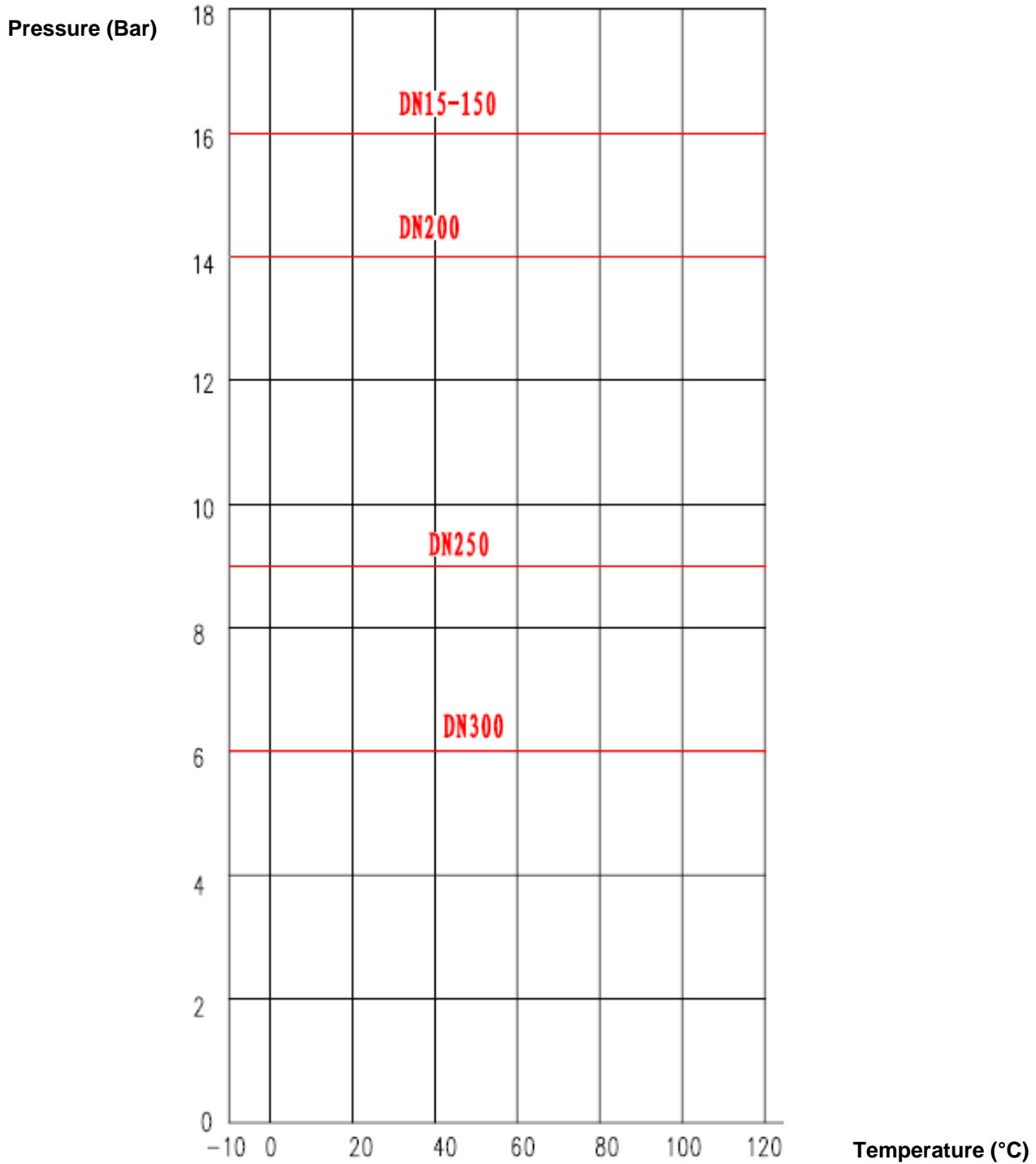
DN	15	20	25	32	40	50	65	80	100	125	150	200	250
Kvs (m3/h)	5.9	7.4	13	18	30	41	79	115	181	225	364	690	1000

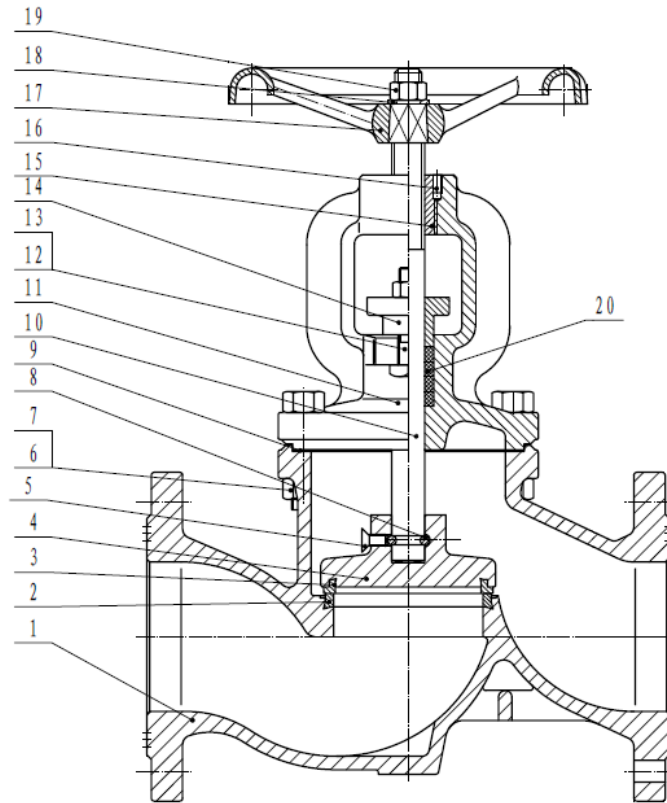
NUMBER OF CYCLES TO CLOSE OR OPEN THE VALVE :

DN	15	20	25	32	40	50	65	80	100	125	150	200	250
Nbre de tours	5	7	9	7	10	9	11	8	9	12	13	15	19.5

CAST IRON GLOBE VALVE PN16

PRESSURE / TEMPERATURE GRAPH (STEAM EXCLUDED) :

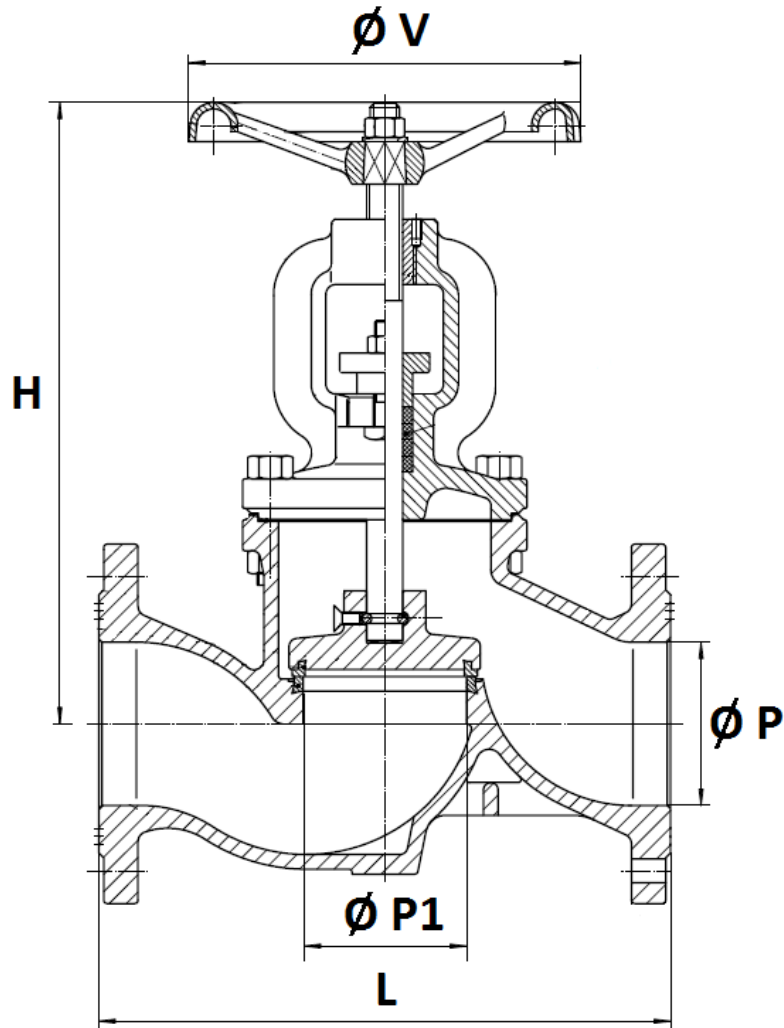


CAST IRON GLOBE VALVE PN16
MATERIALS :


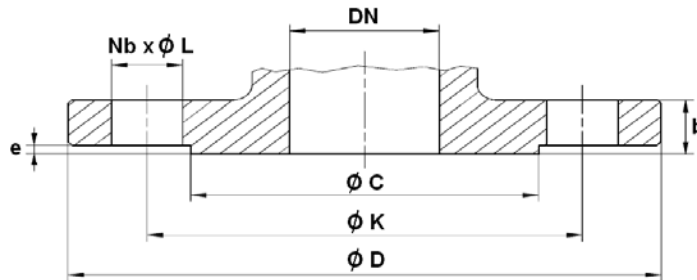
Item	Designation	Materials
1	Body	Cast iron EN GJL-250
2	Body seat	AISI 420
3	Disc seat ring	AISI 420
4	Disc	Cast iron EN GJL-250
5	Screw	RSt37-2 (1.0038)
6	Nut	RSt37-2 (1.0038)
7	Bolt	RSt37-2 (1.0038)
8	Ball	100Cr6
9	Bonnet gasket	Graphite
10	Stem	AISI 420
11	Bonnet	Cast iron EN GJL-250
12	Bolt	RSt37-2 (1.0038)
13	Nut	RSt37-2 (1.0038)
14	Gland follower	Ductile iron EN GJS-500-7
15	Stem nut	Brass
16	Screw	RSt37-2 (1.0038)
17	Handwheel	Cast iron EN GJL-250
18	Washer	RSt37-2 (1.0038)
19	Handwheel nut	RSt37-2 (1.0038)
20	Packing	Graphite

CAST IRON GLOBE VALVE PN16

SIZE (in mm) :



Ref.	DN	15	20	25	32	40	50	65	80	100	125	150	200	250
470	L	130	150	160	180	200	230	290	310	350	400	480	600	730
	Ø P	15	20	25	32	40	50	65	80	100	125	150	200	250
	Ø P1	15	20	25	32	40	50	65	78	97	125	150	200	250
	H (closed)	161.5	169	187	223	233.5	261.5	293	341	381	419	485	569	634
	H (opened)	183	191	216	255	277	304	335	380	426	480	555	660	751
	Ø V	100	100	120	120	140	140	200	200	240	280	315	360	400
	Weight (Kg)	3.3	4	5.5	8.5	10.75	14.57	19.3	26.7	35.4	59	78	136	213

CAST IRON GLOBE VALVE PN16
FLANGES SIZE (in mm) :


Ref.	DN	15	20	25	32	40	50	65	80	100	125	150	200	250
470	Ø C	46	56	65	76	84	99	118	132	156	184	211	266	319
	Ø D	95	105	115	140	150	165	185	200	220	250	285	340	405
	Ø K	65	75	85	100	110	125	145	160	180	210	240	295	355
	Nb x Ø L	4 x 14	4 x 14	4 x 14	4 x 19	4 x 19	4 x 19	4 x 19	8 x 19	8 x 19	8 x 19	8 x 19	12 x 23	12 x 28
	b	14	16	16	18	18	20	20	22	24	26	26	30	32
	e	2	2	3	3	3	3	3	3	3	3	3	3	3

STANDARDS :

- Fabrication according to ISO 9001 :2015
- DIRECTIVE 2014/68/EU : CE N° 0038
Risk category III Module H
- Certificate 3.1 on request
- Pressure test according to EN 12266-1, rate B
- Length according to EN 558 series 1 (DIN 3202 F1)
- PN16 Flanges R.F. according to EN 1092-2

ADVICE : Our opinion and our advice are not guaranteed and SFERACO shall not be liable for the consequences of damages.
The customer must check the right choice of the products with the real service conditions.

CAST IRON GLOBE VALVE PN16

INSTALLATION INSTRUCTIONS

GENERAL GUIDELINES :

- Ensure that the valves to be used are appropriate for the conditions of the installation (type of fluid, pressure and temperature).
- Be sure to have enough valves to be able to isolate the sections of piping as well as the appropriate equipment for maintenance and repair.
- Ensure that the valves to be installed are of correct strength to be able to support the capacity of their usage.
- **Installation of all circuits should ensure that their function can be automatically tested on a regular basis (at least two times a year).**

INSTALLATION INSTRUCTIONS :

- **Before installing the valves, clean and remove any objects from the pipes** (in particular bits of sealing and metal) which could obstruct and block the valves.
- **Ensure that both connecting pipes either side of the valve (upstream and downstream) are aligned (if they're not, the valves may not work correctly).**
- **Make sure that the two sections of the pipe (upstream and downstream) match, the valve unit will not absorb any gaps. Any distortions in the pipes may affect the tightness of the connection, the working of the valve and can even cause a rupture.** To be sure, place the kit in position to ensure the assembling will work.
- **If sections of piping do not have their final support in place, they should be temporarily fixed. This is to avoid unnecessary strain on the valve.**
- Tighten the bolts in cross.
- It's recommended to operate the valve (open and close) 1 to 2 times per year
- Tighten the gland packing at the first start of the installation (with a moderate torque) so that there's no leakage and the handwheel is easy to operate.
- Do not use tools to operate the handwheel
- Respect the flow direction indicated by the arrow