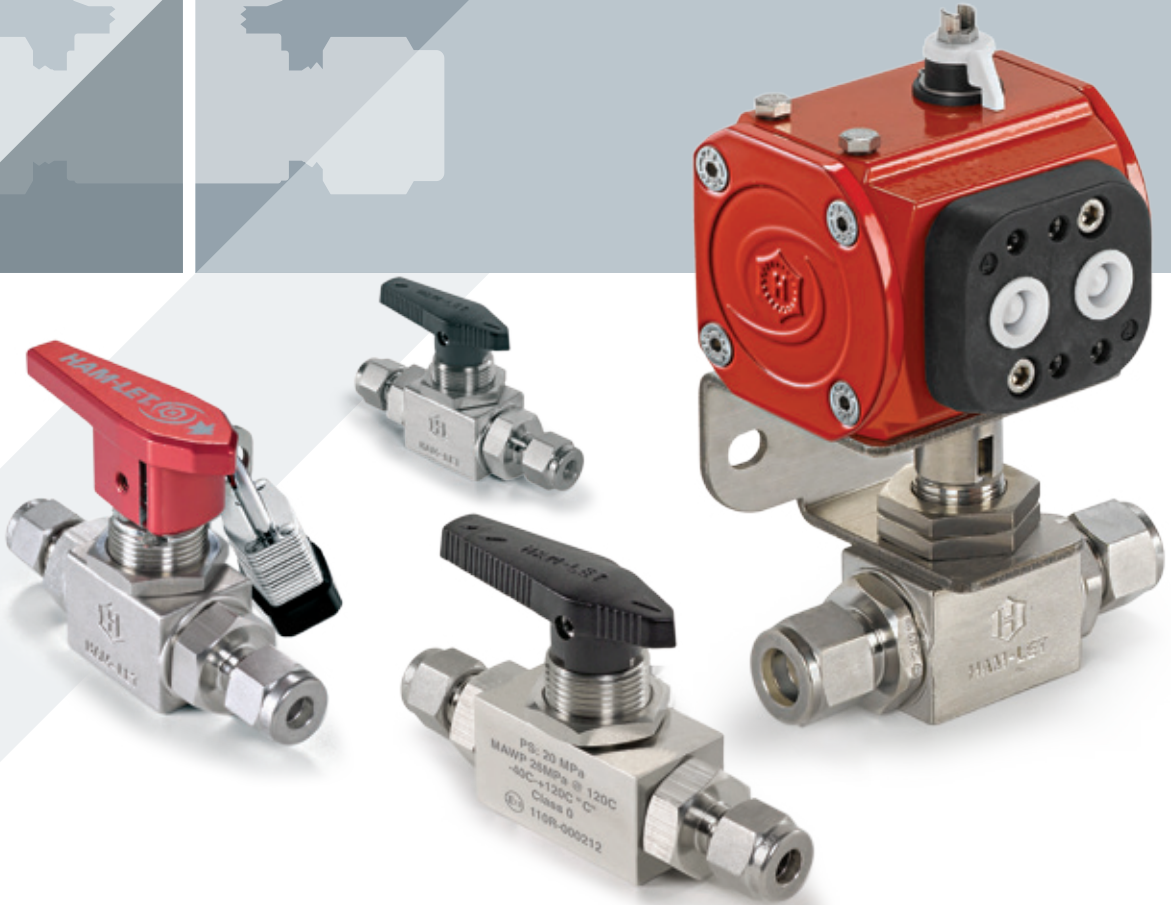
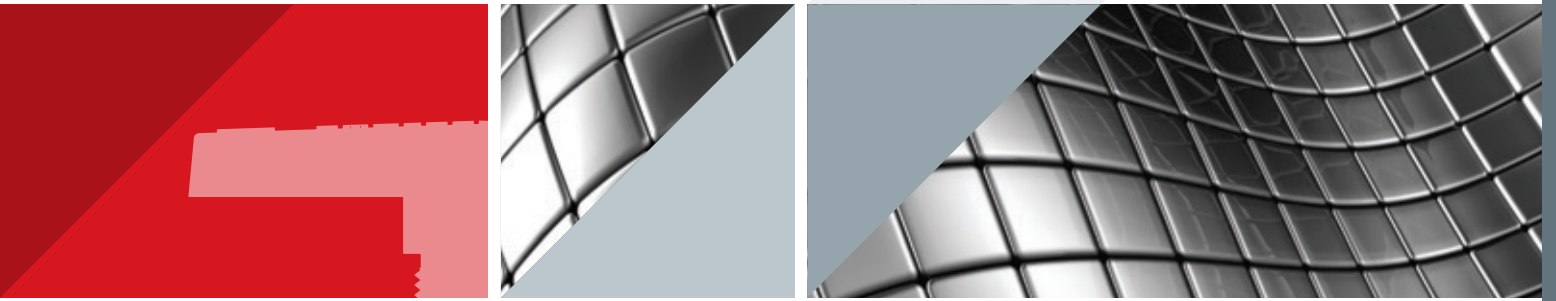


HIGH PERFORMANCE BALL VALVES

H-6800 & H-6800 CNG SERIES



VALVES & ACTUATORS



H-6800 FEATURES

- Certified for ISO 15848-1:2006(E)
- On/off-service ball valve with 2-way pattern
- Diverter-service ball valve with 3-way pattern
- Stainless Steel and Brass construction
- MAWP* 6000 psi (410 bar)
- MAWT* 500°F (260°C)
- Variable end connection types and sizes from 1/16" to 3/4" (3mm to 18mm)
- Operation with colored Nylon handles, metal handle, color anodized aluminum ISLT** (locking device) handles and pneumatically actuated

* Maximum Allowed Working Pressure, Maximum Allowed Working Temperature.

** ISLT – Integral Safety Lock-out Tag-out Patent pending

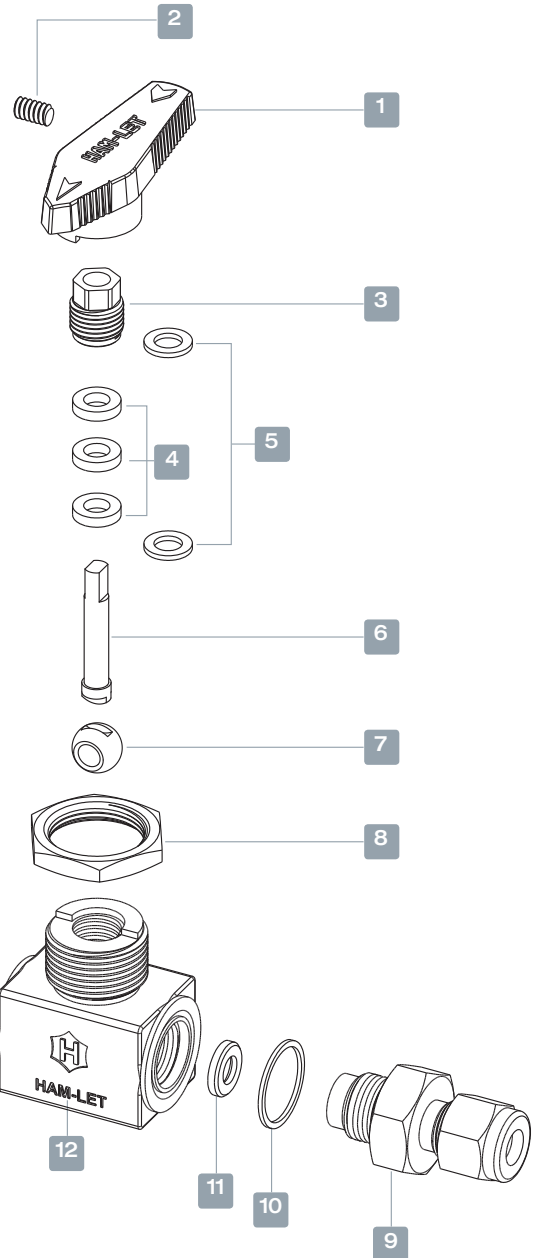
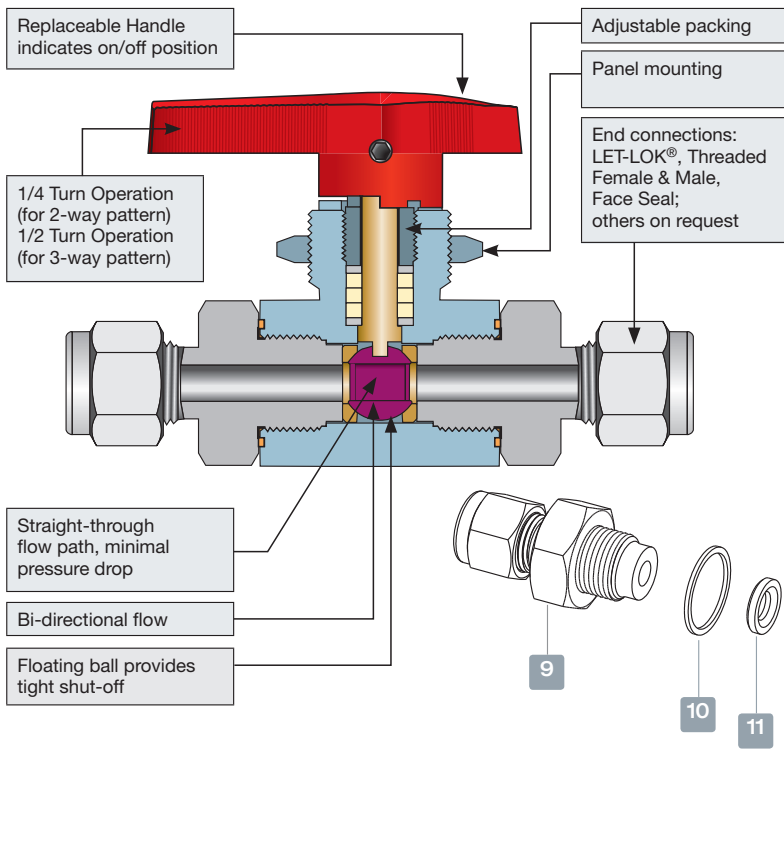
GENERAL

The H-6800 Series is a high-performance instrumentation ball valve for general service and instrumentation panels. The valves offer a tight shutoff*, long-life service and a low operating torque. The H-6800 Series is rated to max. 6000psig and performs on/off or as a diverter service.

*3-Way H-6800 is designed for diverting only and not for shutoff service. Inlet is from the bottom only. 3-Way H-6800 is designed to be fully opened to any of the side ports.

MATERIAL OF CONSTRUCTION

No.	Part	Qty	Maximum allowed working pressure	
			Up to 3000 psig	Up to 6000 psig
1	Handle	1	Nylon / Metal / ISLT	Nylon / Metal / ISLT
2	Handle Set Screw	1	St.St.304	St.St.304
3	Packing Bolt	1	St.St.316	St.St.316
4	Packing	3	Virgin PTFE	PTFE / PEEK
5	Gland	2	St.St.304	St.St.304
6	Stem	1	St.St.316	St.St.316
7	Ball	1	St.St.316	St.St.316
8	Panel Nut	1	St.St.303 / Brass	St.St.303
9	End Cap	2	St.St.316 / Brass	St.St.316
10	Body Seal	2	Virgin PTFE	PTFE / PEEK
11	Seat	2	Modified PTFE	PCTFE / PEEK
12	Body	1	St.St. ASTM A351 Gr.CF8M Brass ASTM B-16	St.St. ASTM A-276

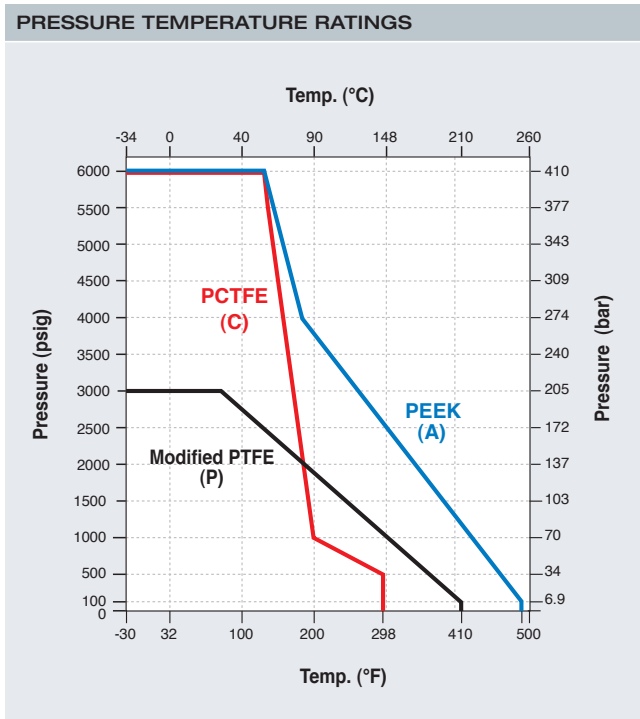


TESTING

The H-6800 design has been tested for Burst and Proof. Standard testing for each H-6800 valve includes testing with nitrogen at 80 & 1000 psig. Each valve is tested for leakage through the shell, packing and ball seats. The maximum allowable leakage across the ball seats is 0.1 std cc/min.

CLEANING & PACKAGING

Every H-6800 series ball valve is cleaned in accordance with Standard Cleaning and Packaging (procedure 8184). Oxygen Clean & Lubricant Free Cleaning and packaging, in accordance with Special Cleaning and Packaging (procedure 8185), is available as an option.



Note: The maximum allowed working pressure that is marked on the valve may be limited according to the pressure limitations that are recommended by the tubing /piping standards (Reference: Let-Lok tube fittings General Information).

SEAT MATERIAL CHARACTERISTICS

MODIFIED PTFE

Excellent seat material for purity applications. Very low residual material during operation. Lower deformation ratio than PTFE, but higher pressure and temperature ratings than PTFE. Rated up to 410°F (210°C). Chemical resistance equal to PTFE material.

PCTFE

Excellent seat material for low temperature applications such as Oxygen and Nitrogen. Suitable for low temperature applications down to -40°C (-40°F).

PEEK (PolyEtherEtherKeton)

Excellent seat material for high-pressure and high-temperature applications. Excellent chemical resistance. Can be used continuously up to 500°F (260°C) and in hot water or steam without permanent loss in physical properties. High strength for hostile environments and high pressure.

Warning: Combination of PEEK seats and hot water can be critical for valve operating torque.

PACKING ADJUSTMENT

Due to the varied service applications of the valve, packing adjustment may be occasionally necessary. Packing is factory adjusted to 1000 psig service. Initial adjustment is recommended after installation and prior to start-up. Please find more information in the installation instruction chapter. HAM-LET Ball Valves are designed for operation in the fully closed or fully open position.

BODY & SEAT MATERIAL COMBINATIONS

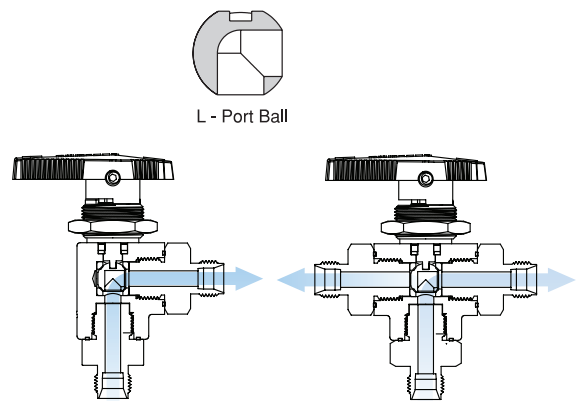
Body Material	MAWP*	MAWT**	Seat Material
St.St. ASTM A351 Gr. CF8M	3000psi (206bar)	410°F (210°C)	Modified PTFE
St.St. ASTM A-276	6000psi (410bar)	500°F (260°C)	PEEK
St.St. ASTM A-276	6000psi (410bar)	298°F (148°C)	PCTFE
Brass ASTM B-16	3000psi (206bar)	410°F (210°C)	Modified PTFE

For other body and seat combinations, please contact our customer service.

* Maximum Allowed Working Pressure.

** Maximum Allowed Working Temperature.

ANGLE AND T-TYPE VALVE



NOTE: Bottom entry only

NOTE: - Bottom entry only
- Not suitable for shut-off application

MANUAL OPERATION

S - Black Handle*

B - Blue Handle

R - Red Handle

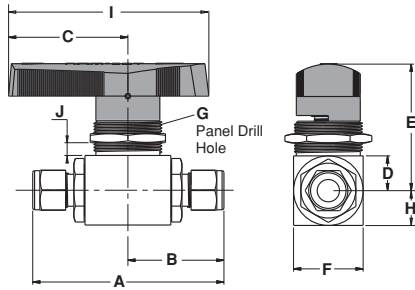
G - Green Handle

Y - Yellow Handle

Metal Handle

*Black nylon handle with brass insert is standard

STRAIGHT PORT VALVE



STRAIGHT PORT, STANDARD CONFIGURATION DIMENSIONS

Size	End Connection		Orifice		Cv	A		B		C		D		E		F		G		H		I*		J**	
	mm	inch	mm	inch		mm	in	mm	in	mm	in	mm	in	mm	in	mm	in	mm	in	mm	in	mm	in	mm	in
1/16"	Let-Lok® Inch		1.3	0.051	0.1	70.2	2.76	35.1	1.38	31.0	1.22	11.1	0.44	38.85	1.53	22.2	0.87	19.3	0.76	11.1	0.44	50.0	1.96	6.5	0.255
1/8"			2.4	0.094	0.2	78.6	3.09	39.3	1.55	31.0	1.22	11.1	0.44	38.85	1.53	22.2	0.87	19.3	0.76	11.1	0.44	50.0	1.96	6.5	0.255
1/4"			4.8	0.189	1.5	83.6	3.29	41.8	1.65	31.0	1.22	11.1	0.44	38.85	1.53	22.2	0.87	19.3	0.76	11.1	0.44	50.0	1.96	6.5	0.255
3/8"			4.8	0.189	1.5	86.3	3.40	43.15	1.70	31.0	1.22	11.1	0.44	38.85	1.53	22.2	0.87	19.3	0.76	11.1	0.44	50.0	1.96	6.5	0.255
1/2"			10.3	0.409	12	102.5	4.04	51.25	2.02	50.0	1.97	16.0	0.63	50.0	1.97	32.0	1.26	20.8	0.82	16.0	0.63	80.0	3.15	6.5	0.255
3/4"			10.3	0.409	6.5	102.5	4.04	51.25	2.02	50.0	1.97	16.0	0.63	50.0	1.97	32.0	1.26	20.8	0.82	16.0	0.63	80.0	3.15	6.5	0.255
3mm	Let-Lok® Metric		2.4	0.094	0.2	78.6	3.09	39.3	1.55	31.0	1.22	11.1	0.44	38.85	1.53	22.2	0.87	19.3	0.76	11.1	0.44	50.0	1.96	6.5	0.255
6mm			4.8	0.189	1.5	83.6	3.29	41.8	1.65	31.0	1.22	11.1	0.44	38.85	1.53	22.2	0.87	19.3	0.76	11.1	0.44	50.0	1.96	6.5	0.255
8mm			4.8	0.189	1.5	84.8	3.34	42.4	1.67	31.0	1.22	11.1	0.44	38.85	1.53	22.2	0.87	19.3	0.76	11.1	0.44	50.0	1.96	6.5	0.255
10mm			4.8	0.189	1.5	86.4	3.40	43.2	1.70	31.0	1.22	11.1	0.44	38.85	1.53	22.2	0.87	19.3	0.76	11.1	0.44	50.0	1.96	6.5	0.255
12mm			10.3	0.409	12	102.5	4.04	51.25	2.02	50.0	1.97	16.0	0.63	50.0	1.97	32.0	1.26	20.8	0.82	16.0	0.63	80.0	3.15	6.5	0.255
18mm			10.3	0.409	6.5	102.5	4.04	51.25	2.02	50.0	1.97	16.0	0.63	50.0	1.97	32.0	1.26	20.8	0.82	16.0	0.63	80.0	3.15	6.5	0.255
1/8"	Female NPT/BSPT		4.8	0.189	1.2	63.6	2.50	31.8	1.25	31.0	1.22	11.1	0.44	38.85	1.53	22.2	0.87	19.3	0.76	11.1	0.44	50.0	1.96	6.5	0.255
1/4"			4.8	0.189	0.9	64.0	2.52	32.0	1.26	31.0	1.22	11.1	0.44	38.85	1.53	22.2	0.87	19.3	0.76	11.1	0.44	50.0	1.96	6.5	0.255
3/8"			4.8	0.189	0.6	69.6	2.74	34.8	1.37	31.0	1.22	11.1	0.44	38.85	1.53	22.2	0.87	19.3	0.76	11.1	0.44	50.0	1.96	6.5	0.255
1/2"			10.3	0.409	6.3	87.4	3.44	43.7	1.72	50.0	1.97	16.0	0.63	50.0	1.97	32.0	1.26	20.8	0.82	16.0	0.63	80.0	3.15	6.5	0.255
3/4"			10.3	0.409	6.1	91.0	3.58	45.5	1.79	50.0	1.97	16.0	0.63	50.0	1.97	32.0	1.26	20.8	0.82	16.0	0.63	80.0	3.15	6.5	0.255
1/8"	Female BSPP		4.8	0.189	1.2	63.6	2.50	31.8	1.25	31.0	1.22	11.1	0.44	38.85	1.53	22.2	0.87	19.3	0.76	11.1	0.44	50.0	1.96	6.5	0.255
1/4"			4.8	0.189	0.9	64.0	2.52	32.0	1.26	31.0	1.22	11.1	0.44	38.85	1.53	22.2	0.87	19.3	0.76	11.1	0.44	50.0	1.96	6.5	0.255
3/8"			4.8	0.189	0.6	69.6	2.74	34.8	1.37	31.0	1.22	11.1	0.44	38.85	1.53	22.2	0.87	19.3	0.76	11.1	0.44	50.0	1.96	6.5	0.255
1/2"			10.3	0.409	6.3	87.4	3.44	43.7	1.72	50.0	1.97	16.0	0.63	50.0	1.97	32.0	1.26	20.8	0.82	16.0	0.63	80.0	3.15	6.5	0.255
3/4"			10.3	0.409	6.1	91.0	3.58	45.5	1.79	50.0	1.97	16.0	0.63	50.0	1.97	32.0	1.26	20.8	0.82	16.0	0.63	80.0	3.15	6.5	0.255
1/8"	Male NPT/BSPT		4.8	0.189	1.5	67.6	2.66	33.8	1.33	31.0	1.22	11.1	0.44	38.85	1.53	22.2	0.87	19.3	0.76	11.1	0.44	50.0	1.96	6.5	0.255
1/4"			4.8	0.189	1.2	76.6	3.02	38.3	1.51	31.0	1.22	11.1	0.44	38.85	1.53	22.2	0.87	19.3	0.76	11.1	0.44	50.0	1.96	6.5	0.255
3/8"			4.8	0.189	0.9	76.6	3.02	38.3	1.51	31.0	1.22	11.1	0.44	38.85	1.53	22.2	0.87	19.3	0.76	11.1	0.44	50.0	1.96	6.5	0.255
1/2"			10.3	0.409	8.2	92.4	3.64	46.2	1.82	50.0	1.97	16.0	0.63	50.0	1.97	32.0	1.26	20.8	0.82	16.0	0.63	80.0	3.15	6.5	0.255
3/4"			10.3	0.409	4.5	94.4	3.71	47.2	1.86	50.0	1.97	16.0	0.63	50.0	1.97	32.0	1.26	20.8	0.82	16.0	0.63	80.0	3.15	6.5	0.255
1/8"	Male BSPP		4.8	0.189	1.5	65.4	2.57	32.7	1.29	31.0	1.22	11.1	0.44	38.85	1.53	22.2	0.87	19.3	0.76	11.1	0.44	50.0	1.96	6.5	0.255
1/4"			4.8	0.189	1.2	76.6	3.02	38.3	1.51	31.0	1.22	11.1	0.44	38.85	1.53	22.2	0.87	19.3	0.76	11.1	0.44	50.0	1.96	6.5	0.255
3/8"			4.8	0.189	0.9	76.6	3.02	38.3	1.51	31.0	1.22	11.1	0.44	38.85	1.53	22.2	0.87	19.3	0.76	11.1	0.44	50.0	1.96	6.5	0.255
1/2"			10.3	0.409	8.2	92.4	3.64	46.2	1.82	50.0	1.97	16.0	0.63	50.0	1.97	32.0	1.26	20.8	0.82	16.0	0.63	80.0	3.15	6.5	0.255
3/4"			10.3	0.409	4.5	94.4	3.71	47.2	1.86	50.0	1.97	16.0	0.63	50.0	1.97	32.0	1.26	20.8	0.82	16.0	0.63	80.0	3.15	6.5	0.255
1/4"	Face Seal Male		4.5	0.18	2.4	75.0	2.95	37.5	1.47	31.0	1.22	11.1	0.44	38.85	1.53	22.2	0.87	19.3	0.76	11.1	0.44	50.0	1.96	6.5	0.255
1/2"			10.3	0.409	12	93.8	3.69	46.9	1.85	50.0	1.97	16.0	0.63	50.0	1.97	32.0	1.26	20.8	0.82	16.0	0.63	80.0	3.15	6.5	0.255

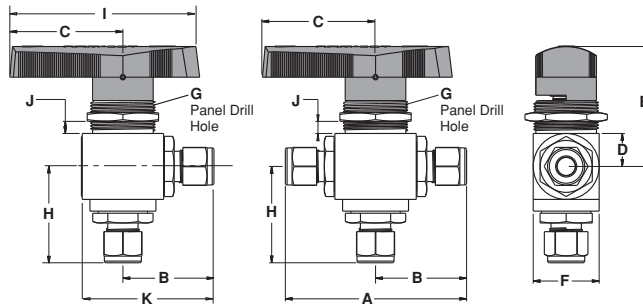
Face to face dimensions for LET-LOK® end connections (dimensions A and B) are finger tight.

* Refers to standard nylon handle.

** Maximum panel thickness.

Dimensions are for reference only, and are subject to change.

ANGLE & 3-PORT VALVE

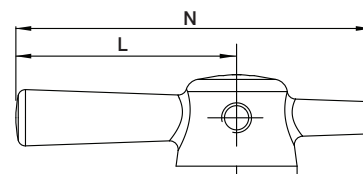


ANGLE & 3-PORT, STANDARD CONFIGURATION DIMENSIONS

Size	End Connection		Orifice		Cv	A		K		B		C		D		E		F		G		H		I*		J**	
	mm	inch	mm	inch		mm	in	mm	in	mm	in	mm	in	mm	in	mm	in	mm	in	mm	in	mm	in	mm	in	mm	in
1/16"	Let-Lok® Inch	1.3	0.051	0.08	70.2	2.76	46.2	1.82	35.1	1.38	31.0	1.22	11.1	0.44	38.85	1.53	22.2	0.87	19.3	0.76	37.9	1.49	50.0	1.96	6.5	0.255	
1/8"		2.4	0.094	0.15	78.6	3.09	50.4	1.95	39.3	1.55	31.0	1.22	11.1	0.44	38.85	1.53	22.2	0.87	19.3	0.76	42.1	1.66	50.0	1.96	6.5	0.255	
1/4"		4.8	0.189	0.90	83.6	3.29	52.9	2.08	41.8	1.65	31.0	1.22	11.1	0.44	38.85	1.53	22.2	0.87	19.3	0.76	44.6	1.76	50.0	1.96	6.5	0.255	
3/8"		4.8	0.189	0.60	86.3	3.40	54.25	2.13	43.15	1.70	31.0	1.22	11.1	0.44	38.85	1.53	22.2	0.87	19.3	0.76	46.0	1.81	50.0	1.96	6.5	0.255	
1/2"		10.3	0.40	4.6	102.5	4.04	67.3	2.65	51.25	2.02	50.0	1.97	16.0	0.63	50.0	1.97	32.0	1.26	20.8	0.82	57.5	2.26	80.0	3.15	6.5	0.255	
3/4"		10.3	0.40	3.8	102.5	4.04	67.3	2.65	51.25	2.02	50.0	1.97	16.0	0.63	50.0	1.97	32.0	1.26	20.8	0.82	57.5	2.26	80.0	3.15	6.5	0.255	
3mm	Let-Lok® Metric	2.4	0.094	0.15	78.6	3.09	52.0	2.05	39.3	1.55	31.0	1.22	11.1	0.44	38.85	1.53	22.2	0.87	19.3	0.76	42.1	1.66	50.0	1.96	6.5	0.255	
6mm		4.8	0.189	0.90	83.6	3.29	52.8	2.08	41.8	1.65	31.0	1.22	11.1	0.44	38.85	1.53	22.2	0.87	19.3	0.76	44.6	1.76	50.0	1.96	6.5	0.255	
8mm		4.8	0.189	0.80	84.8	3.34	53.5	2.1	42.4	1.67	31.0	1.22	11.1	0.44	38.85	1.53	22.2	0.87	19.3	0.76	45.2	1.78	50.0	1.96	6.5	0.255	
10mm		4.8	0.189	0.60	86.4	3.40	54.3	2.14	43.2	1.70	31.0	1.22	11.1	0.44	38.85	1.53	22.2	0.87	19.3	0.76	46.0	1.81	50.0	1.96	6.5	0.255	
12mm		10.3	0.40	4.6	102.5	4.04	67.3	2.65	51.25	2.02	50.0	1.97	16.0	0.63	50.0	1.97	32.0	1.26	20.8	0.82	57.5	2.11	80.0	3.15	6.5	0.255	
18mm		10.3	0.40	2.5	102.5	4.04	67.3	2.65	51.25	2.02	50.0	1.97	16.0	0.63	50.0	1.97	32.0	1.26	20.8	0.82	57.5	1.19	80.0	3.15	6.5	0.255	
1/8"	Female NPT/ BSPT	4.8	0.189	0.3	63.6	2.50	42.9	1.7	32.0	1.26	31.0	1.22	11.1	0.44	38.85	1.53	22.2	0.87	19.3	0.76	34.6	1.36	50.0	1.96	6.5	0.255	
1/4"		4.8	0.189	0.75	64.0	2.52	43.1	1.69	31.8	1.25	31.0	1.22	11.1	0.44	38.85	1.53	22.2	0.87	19.3	0.76	34.8	1.37	50.0	1.96	6.5	0.255	
3/8"		4.8	0.189	0.5	69.6	2.74	45.9	1.8	34.8	1.37	31.0	1.22	11.1	0.44	38.85	1.53	22.2	0.87	19.3	0.76	37.6	1.48	50.0	1.96	6.5	0.255	
1/2"		10.3	0.40	3.5	87.4	3.44	59.7	2.35	43.7	1.72	50.0	1.97	16.0	0.63	50.0	1.97	32.0	1.26	20.8	0.82	50.0	1.97	80.0	3.15	6.5	0.255	
3/4"	10.3	0.40	2.5	91.0	3.58	61.5	2.42	45.5	1.79	50.0	1.97	16.0	0.63	50.0	1.97	32.0	1.26	20.8	0.82	50.0	1.97	80.0	3.15	6.5	0.255		
1/8"	Female BSPP	4.8	0.189	0.3	63.6	2.50	42.9	1.7	32.0	1.26	31.0	1.22	11.1	0.44	38.85	1.53	22.2	0.87	19.3	0.76	34.6	1.36	50.0	1.96	6.5	0.255	
1/4"		4.8	0.189	0.75	64.0	2.52	43.1	1.69	31.8	1.25	31.0	1.22	11.1	0.44	38.85	1.53	22.2	0.87	19.3	0.76	34.8	1.37	50.0	1.96	6.5	0.255	
3/8"		4.8	0.189	0.5	69.6	2.74	45.9	1.8	34.8	1.37	31.0	1.22	11.1	0.44	38.85	1.53	22.2	0.87	19.3	0.76	37.6	1.48	50.0	1.96	6.5	0.255	
1/2"		10.3	0.40	3.5	87.4	3.44	59.7	2.35	43.7	1.72	50.0	1.97	16.0	0.63	50.0	1.97	32.0	1.26	20.8	0.82	50.0	1.97	80.0	3.15	6.5	0.255	
3/4"	10.3	0.40	2.5	91.0	3.58	61.5	2.42	45.5	1.79	50.0	1.97	16.0	0.63	50.0	1.97	32.0	1.26	20.8	0.82	50.0	1.97	80.0	3.15	6.5	0.255		
1/8"	Male NPT/ BSPT	4.8	0.189	0.9	67.6	2.66	44.9	1.76	33.8	1.33	31.0	1.22	11.1	0.44	38.85	1.53	22.2	0.87	19.3	0.76	36.6	1.44	50.0	1.96	6.5	0.255	
1/4"		4.8	0.189	0.6	76.6	3.02	49.4	1.94	38.3	1.51	31.0	1.22	11.1	0.44	38.85	1.53	22.2	0.87	19.3	0.76	41.1	1.62	50.0	1.96	6.5	0.255	
3/8"		4.8	0.189	0.35	76.6	3.02	49.4	1.94	38.3	1.51	31.0	1.22	11.1	0.44	38.85	1.53	22.2	0.87	19.3	0.76	41.1	1.62	50.0	1.96	6.5	0.255	
1/2"		10.3	0.40	3.0	92.4	3.64	62.2	2.45	46.2	1.82	50.0	1.97	16.0	0.63	50.0	1.97	32.0	1.26	20.8	0.82	52.5	2.07	80.0	3.15	6.5	0.255	
3/4"	10.3	0.40	2.0	94.4	3.71	63.2	2.49	47.2	1.86	50.0	1.97	16.0	0.63	50.0	1.97	32.0	1.26	20.8	0.82	53.5	2.1	80.0	3.15	6.5	0.255		
1/8"	Male BSPP	4.8	0.189	0.9	65.4	2.57	43.8	1.72	32.7	1.29	31.0	1.22	11.1	0.44	38.85	1.53	22.2	0.87	19.3	0.76	36.6	1.44	50.0	1.96	6.5	0.255	
1/4"		4.8	0.189	0.6	76.6	3.02	49.4	1.94	38.3	1.51	31.0	1.22	11.1	0.44	38.85	1.53	22.2	0.87	19.3	0.76	41.1	1.62	50.0	1.96	6.5	0.255	
3/8"		4.8	0.189	0.35	76.6	3.02	49.4	1.94	38.3	1.51	31.0	1.22	11.1	0.44	38.85	1.53	22.2	0.87	19.3	0.76	41.1	1.62	50.0	1.96	6.5	0.255	
1/2"		10.3	0.40	3.0	92.4	3.64	62.2	2.45	46.2	1.82	50.0	1.97	16.0	0.63	50.0	1.97	32.0	1.26	20.8	0.82	52.5	2.07	80.0	3.15	6.5	0.255	
3/4"	10.3	0.40	2.0	94.4	3.71	63.2	2.49	47.2	1.86	50.0	1.97	16.0	0.63	50.0	1.97	32.0	1.26	20.8	0.82	53.5	2.1	80.0	3.15	6.5	0.255		
1/4"	Face Seal Male	4.5	0.18	0.9	75.0	2.95	48.6	1.91	37.5	1.47	31.0	1.22	11.1	0.44	38.85	1.53	22.2	0.87	19.3	0.76	40.3	1.58	50.0	1.96	6.5	0.255	
1/2"		10.3	0.40	4.6	93.8	3.69	62.9	2.47	46.9	1.85	50.0	1.97	16.0	0.63	50.0	1.97	32.0	1.26	20.8	0.82	53.2	2.09	80.0	3.15	6.5	0.255	

DIMENSIONS FOR METAL HANDLE

VALVE END CONNECTIONS	Handle Designator	N	L
Up to 3/8 ends	M	50 MM	31 MM
Up to 3/8 ends	M7	70 MM	45 MM
From 1/2 to 3/4 ends	M	110 MM	80 MM



See Ordering Information

H-6800 CNG FOR THE CNG / NGV

FEATURES

- ECE R110, Class 0 approved for the CNG / NGV
- MAWP* 3770 psig (260 barg)
- Temperature range: -40°C (-40°F) to 120°C (248°F)
- Variable LET-LOK® end connection sizes: 1/4", 3/8", 6mm, 8mm, 10mm
- Stainless Steel construction with spring loaded seats
- ECE Approved for 20,000 cycles

* Maximum Allowed Working Pressure.

MATERIAL OF CONSTRUCTION

No.	Part	Qty	Material
1	Handle	1	Nylon
2	Panel Nut	1	St.St.316 ASTM A-276 / A-479
3	Packing Bolt	1	St.St.316 ASTM A-276 / A-479
4	Stem washer	1	PEEK
5	Stem	1	St.St.316 ASTM A-276 / A-479
6	Stem Upper packing	1	PEEK
7	Stem Lower packing	1	PTFE
8	Stem O-Ring	1	Low temperature Fluorocarbon FKM
9	Packing bolt Gasket	1	Silver plated St.St.316
10	Body	1	St.St. ASTM A-479
11	Ball	1	St.St.316 ASTM A-276 / A-479
12	Seats	2	PEEK
13	Seat back up Sealing	4	PTFE
14	Seat O-Rings	2	Low temperature Fluorocarbon FKM
15	Seat Gasket	2	St.St.316 ASTM A-276 / A-479
16	Seat Spring	2	St.St.316 ASTM A-276 / A-479
17	Body Seal gasket	2	Silver plated St.St.316
18	End Cap	2	St.St.316 ASTM A-276 / A-479

ORDERING INFORMATION:

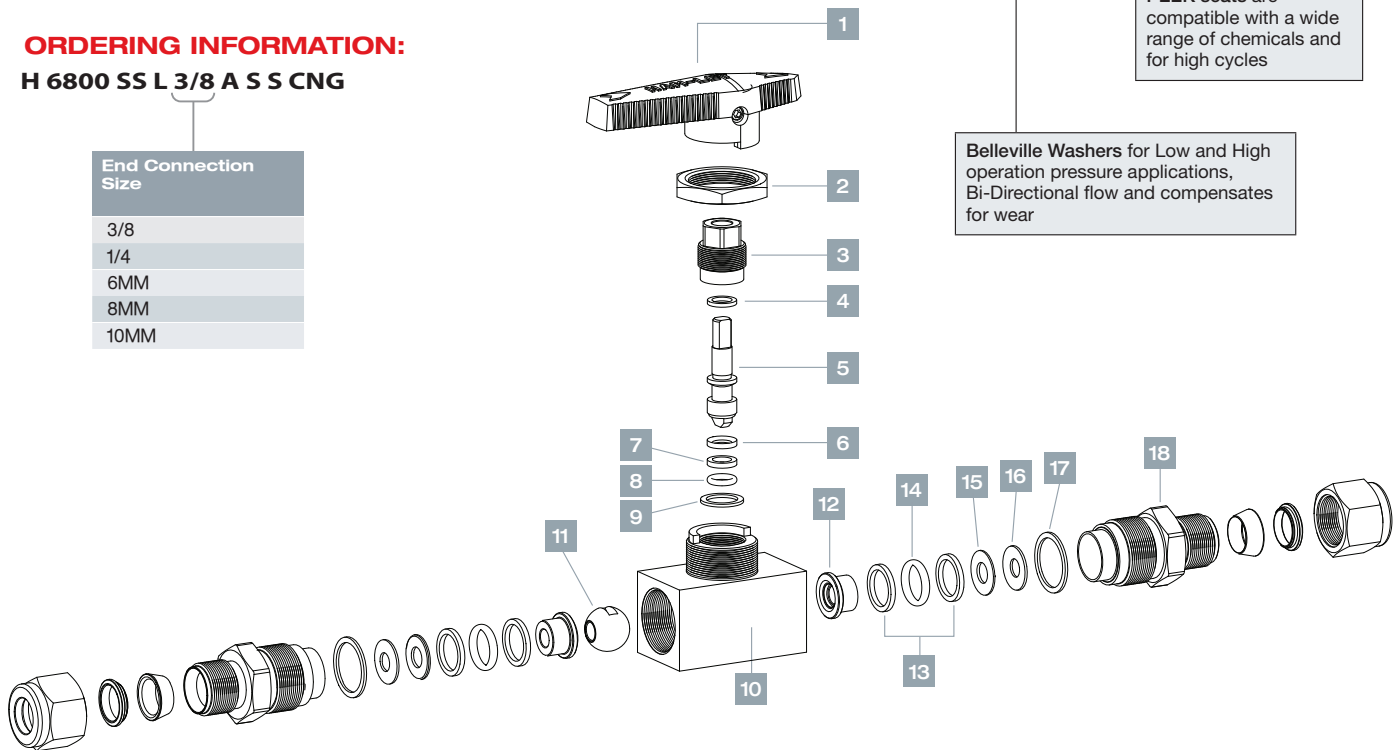
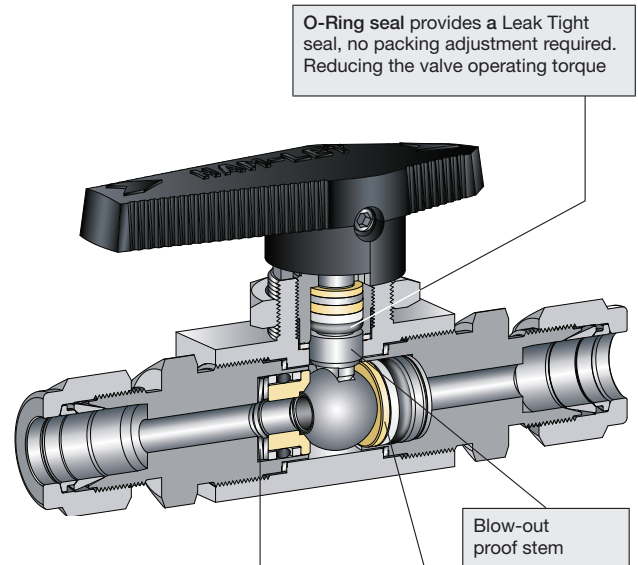
H 6800 SS L 3/8 A S S CNG

End Connection Size

- 3/8
- 1/4
- 6MM
- 8MM
- 10MM

GENERAL

The H-6800 CNG Series is a high-performance instrumentation manual ball valve for the CNG / NGV with ECE R110-type approval. The valves offer a tight shutoff, long-life service and low operating torque. The H-6800 CNG Series ball valve is rated to max. 3770 psig and performs as a manual on/off service.



H-6800 - PNEUMATIC ACTUATED VALVES

FEATURES

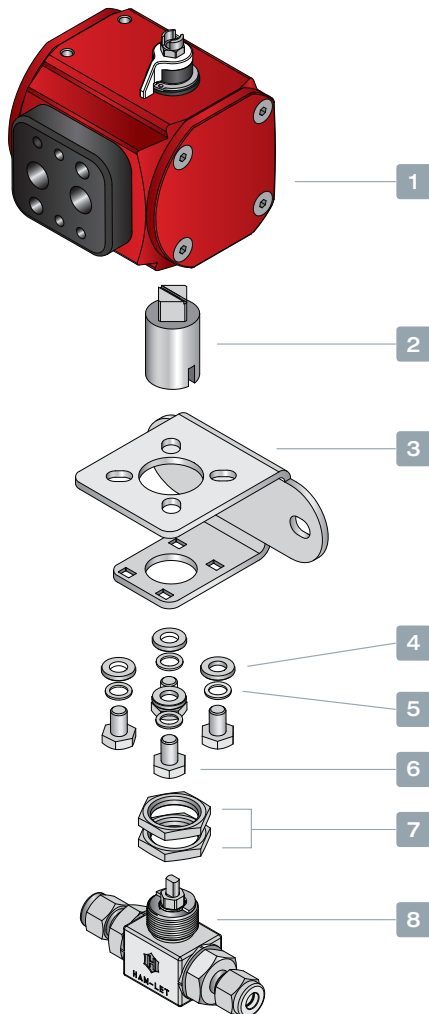
- 90° Actuation for 2-way valves (Straight & Angle)
- 180° Actuation for T-type valves
- Actuators comply with industry standards for interface with ISO 5211, NAMUR and VDI/VDE 3845
- Actuated valves are available factory assembled or separately, actuator and mounting kits
- Limit switches, proximity sensors, position indicators, Solenoid valves, and other accessories are available upon request
- Standard Temperature range: -32°C to 90°C (-25.6°F to 194°F)
Optional: High Temperature, Low Temperature

MATERIAL OF CONSTRUCTION

No.	Part	Qty	Material
1	Actuator	1	AL 356-T5
2	Coupling	1	St.St.316
3	Bracket	1	St.St.304
4	Washer Flat	4	St.St.304
5	Washer Spring	4	St.St.304
6	Screw	4	St.St.304
7	Panel Nut	2	St.St.316
8	H6800	1	St.St.316 / Brass *

* Body material: St.St. ASTM A-276;
St.St. ASTM A351 Gr. CF8M; Brass ASTM B-16

90° Actuator on 2-way valve



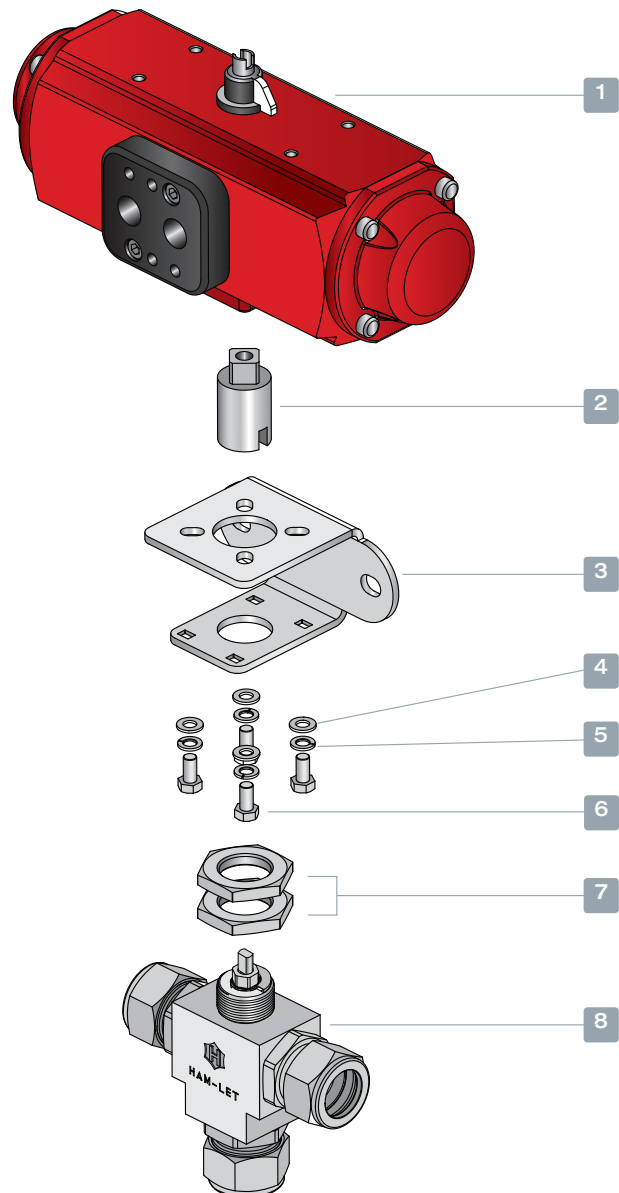
GENERAL

Four standard actuator sizes are available upon request: Mini (designator "A1"), Small (designator "A2"), Medium (designator "A3"), Large (designator "A4") and 180° Actuator (designator "A2T").

Improved operational speed enables better valve opening and closing control.

ATEX certification of Valves-Actuators assemblies are available on request at the time of order quotation.

180° Actuator on T-type valve



ACTUATED H-6800 SERIES



The selection of Valve-Actuator assemblies provided herein is based on:

- Valve maximum allowable working pressure
- Ambient temperature (50 to 100°F /10 to 37°C)
- Actuator fits to valve based on operating pressure of 6 bar, as per table A.

To order H-6800 ball valve factory assembled with an actuator, add the actuator designator to the valve part number / description per the below table.

Example:

H6800SSL1/4PSS with standard Double Acting Aluminum Actuator
H6800SSL1/4PS-A1

To order an actuator and mounting kit for field assembly:

Double acting Actuator ordering number: Z-A1

Corresponding mounting kit: Z-6800-MK-1/4-F03-F04-A1

Lubricant free Valves:

For Spring Return Actuator - select one size bigger then offered in the table

below. Example: If the offered actuator in the table is A2C, select A3C

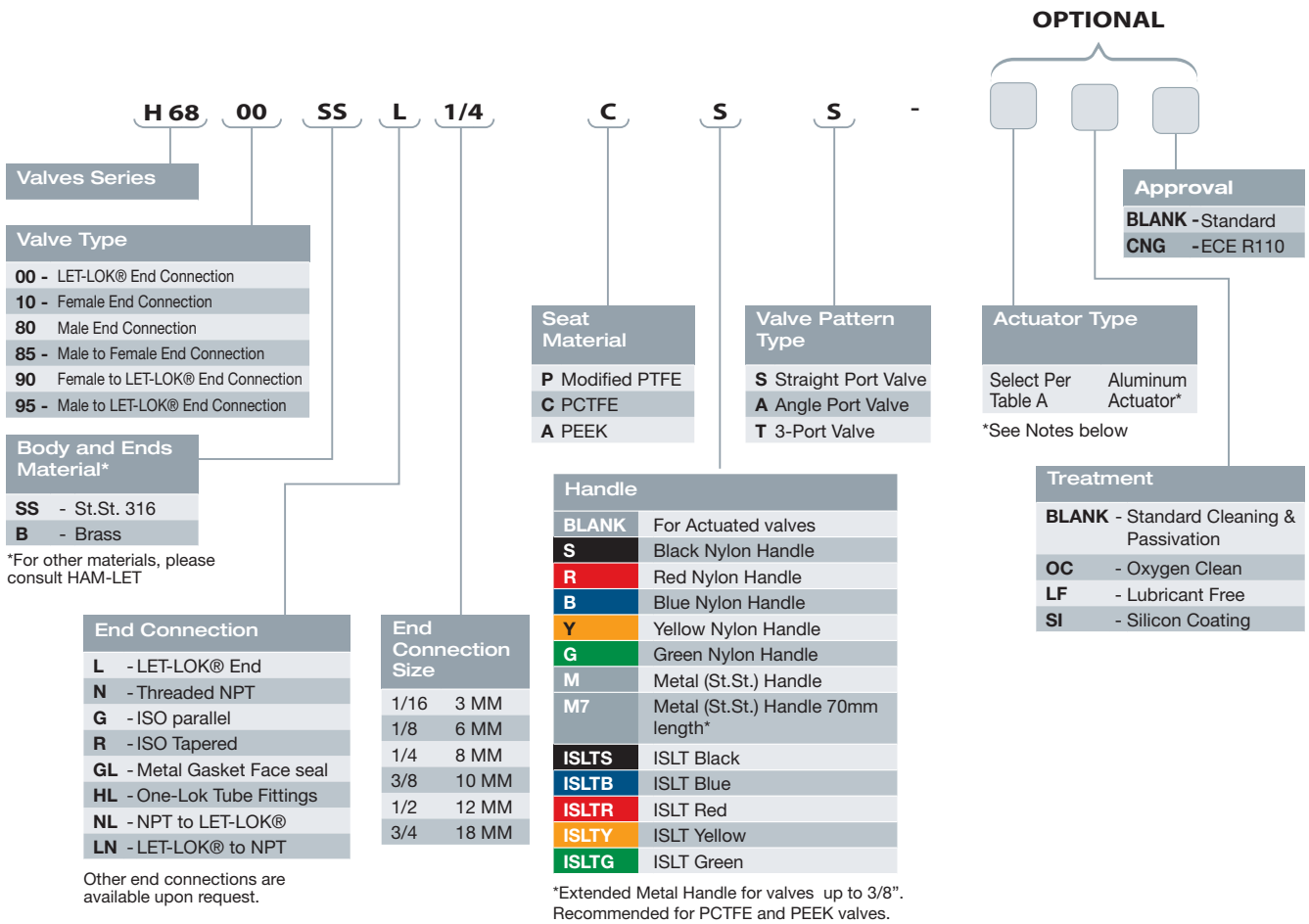
For Double Acting Actuator - please contact your local representative

Table A: Ordering information for Actuated Valves

Series	Ends Size	Seats	Minimum Actuator Operating Pressure Bar (Psi)	Actuator Designators (Factory assembled)			Actuator Ordering Code		Mounting Kit Ordering Info
				Spring Return		Double Acting	Spring Return	Double Acting	
				NO	NC				
H-6800	1/16"-3/8" (3mm-10mm)	Modified PTFE	5 (72.5)	A1O	A1C	A1	Z-A1S	Z-A1	Z-6800-MK-1/4"-F03-F04-A1
		PCTFE	5 (72.5)	A2O	A2C		Z-A2S		Z-6800-MK-1/4"-F03-F04-A2
	1/2"-3/4" (12mm-18mm)	Modified PTFE	5 (72.5)	A1O	A1C	A1	Z-A1S	Z-A1	Z-6800-MK-1/2"-F03-F04-A1
		PCTFE	5 (72.5)	A2O	A2C		Z-A2S		Z-6800-MK-1/2"-F03-F04-A2
		PEEK	5 (72.5)	A3O	A3C	A2	NC: Z-A3S	Z-A2	Z-6800-MK-1/2"-F03-F04-A3
							NO: Z-A3O		
H-6800 T-type	1/16"-3/8" (3mm-10mm)	Modified PTFE PCTFE PEEK	5 (72.5)	A2TS	A2TS	A2T	Z-A2TS	Z-A2T	Z-6800-MK- 1/4"-F03-F04-A2
	1/2"-3/4" (12mm-18mm)			Z-6800-MK-1/2"-F03-F04-A2					

Note: For dimensions of Actuators assembled on the H-6800 series, please refer to the HPA section.

H-6800 SERIES ORDERING INFORMATION



For Actuated Valves

- If special cleaning is required, LF / OC will be added in the end and be applicable for the Valve only.
Example: H6800SSL1/4PS - A1 - OC
- For ordering information of actuators for high temperature please refer to HAM-LET Pneumatic Actuator Catalog
- For double mounting actuators, please contact your local representative
- For actuators accessories (Limit Switch, Solenoid Valve) please refer to HAM-LET Pneumatic Actuator Catalog.
- For Stainless Steel Actuator or Electric Actuator please contact your local representative

ORDERING INFORMATION FOR SPARE KITS

SEAL KIT

Seal Kit includes seats, stem packings, body seals and lable.

Z - 6800 - SK - 1/4 - A - 2 WAY

Kit Type	Body Designator per End Connection	Seat Material	Valve Pattern														
SK Seal Kit	<table border="1"> <tr> <td>1/4</td> <td>1/16 to 3/8 3MM to 10MM</td> </tr> <tr> <td>1/2</td> <td>1/2 to 3/4 12MM to 18MM</td> </tr> </table>	1/4	1/16 to 3/8 3MM to 10MM	1/2	1/2 to 3/4 12MM to 18MM	<table border="1"> <tr> <td>P</td> <td>Modified PTFE</td> </tr> <tr> <td>C</td> <td>PCTFE</td> </tr> <tr> <td>A</td> <td>PEEK</td> </tr> </table>	P	Modified PTFE	C	PCTFE	A	PEEK	<table border="1"> <tr> <td>2 Way</td> <td>For straight and angle Valves</td> </tr> <tr> <td>3 Way</td> <td>For T Port Valves</td> </tr> </table>	2 Way	For straight and angle Valves	3 Way	For T Port Valves
1/4	1/16 to 3/8 3MM to 10MM																
1/2	1/2 to 3/4 12MM to 18MM																
P	Modified PTFE																
C	PCTFE																
A	PEEK																
2 Way	For straight and angle Valves																
3 Way	For T Port Valves																

NOTE:

For Seal kits for "Old Design" valves, please contact a HAM-LET representative.

HANDLE KIT

Handle kit includes handle and set screw. To order a spare-parts kit, use the following format:

Z - 6800 - HK - 1/4 - S

Kit Type	Body Designator per End Connection	Handle Type																												
HK Handle Kit	<table border="1"> <tr> <td>1/4</td> <td>1/16 to 3/8 3MM to 10MM</td> </tr> <tr> <td>1/2</td> <td>1/2 to 3/4 12MM to 18MM</td> </tr> </table>	1/4	1/16 to 3/8 3MM to 10MM	1/2	1/2 to 3/4 12MM to 18MM	<table border="1"> <tr> <td>S</td> <td>Black Nylon Handle</td> </tr> <tr> <td>R</td> <td>Red Nylon Handle</td> </tr> <tr> <td>B</td> <td>Blue Nylon Handle</td> </tr> <tr> <td>Y</td> <td>Yellow Nylon Handle</td> </tr> <tr> <td>G</td> <td>Green Nylon Handle</td> </tr> <tr> <td>M</td> <td>Metal (St.St.) Handle</td> </tr> <tr> <td>M7</td> <td>Metal St.St Handle 70 mm*</td> </tr> <tr> <td>ISLTS</td> <td>ISLT Black**</td> </tr> <tr> <td>ISLTB</td> <td>ISLT Blue**</td> </tr> <tr> <td>ISLTR</td> <td>ISLT Red**</td> </tr> <tr> <td>ISLTY</td> <td>ISLT Yellow**</td> </tr> <tr> <td>ISLTG</td> <td>ISLT Green**</td> </tr> </table>	S	Black Nylon Handle	R	Red Nylon Handle	B	Blue Nylon Handle	Y	Yellow Nylon Handle	G	Green Nylon Handle	M	Metal (St.St.) Handle	M7	Metal St.St Handle 70 mm*	ISLTS	ISLT Black**	ISLTB	ISLT Blue**	ISLTR	ISLT Red**	ISLTY	ISLT Yellow**	ISLTG	ISLT Green**
1/4	1/16 to 3/8 3MM to 10MM																													
1/2	1/2 to 3/4 12MM to 18MM																													
S	Black Nylon Handle																													
R	Red Nylon Handle																													
B	Blue Nylon Handle																													
Y	Yellow Nylon Handle																													
G	Green Nylon Handle																													
M	Metal (St.St.) Handle																													
M7	Metal St.St Handle 70 mm*																													
ISLTS	ISLT Black**																													
ISLTB	ISLT Blue**																													
ISLTR	ISLT Red**																													
ISLTY	ISLT Yellow**																													
ISLTG	ISLT Green**																													

*Extended Metal Handle for valves up to 3/8". Recommended for PCTFE and PEEK valves.
 ** Does not fit the standard valve.

Warning!

The system designer and user have the sole responsibility for selecting products suitable for their special application requirements, ensuring their safe and trouble-free installation, operation, and maintenance. Application details, material compatibility and product ratings should all be considered for each selected product. Improper selection, installation or use of products can cause property damage or personal injury.