

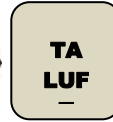
765 XS BALL VALVE

FEATURES

765 XS 2-way ball valve is designed for the shut-off of networks of high-temperature fluids, such as saturated steam up to 15 bar. This 3-piece external tie-bolt ball valve is easy to remove for servicing. This full-bore valve has an anti-static device and double sealing at the cable gland. It is EC-, ATEX- fire safety- and TA-LUFT-approved. The ISO 5211 flange allows an easy mounting of an actuator.

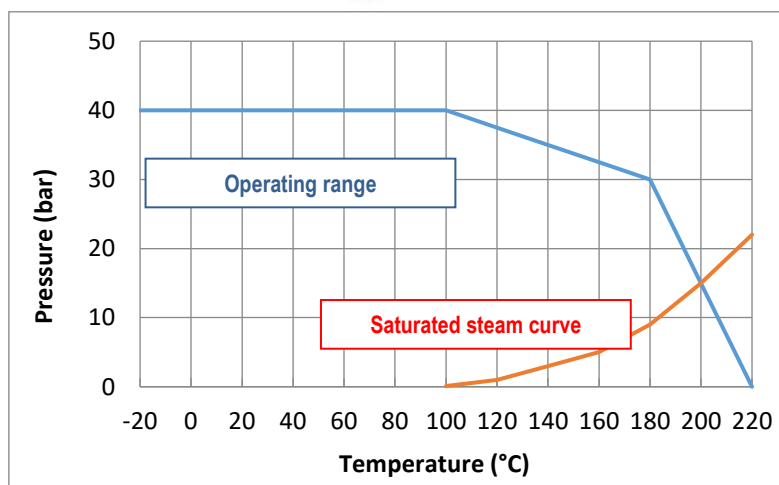
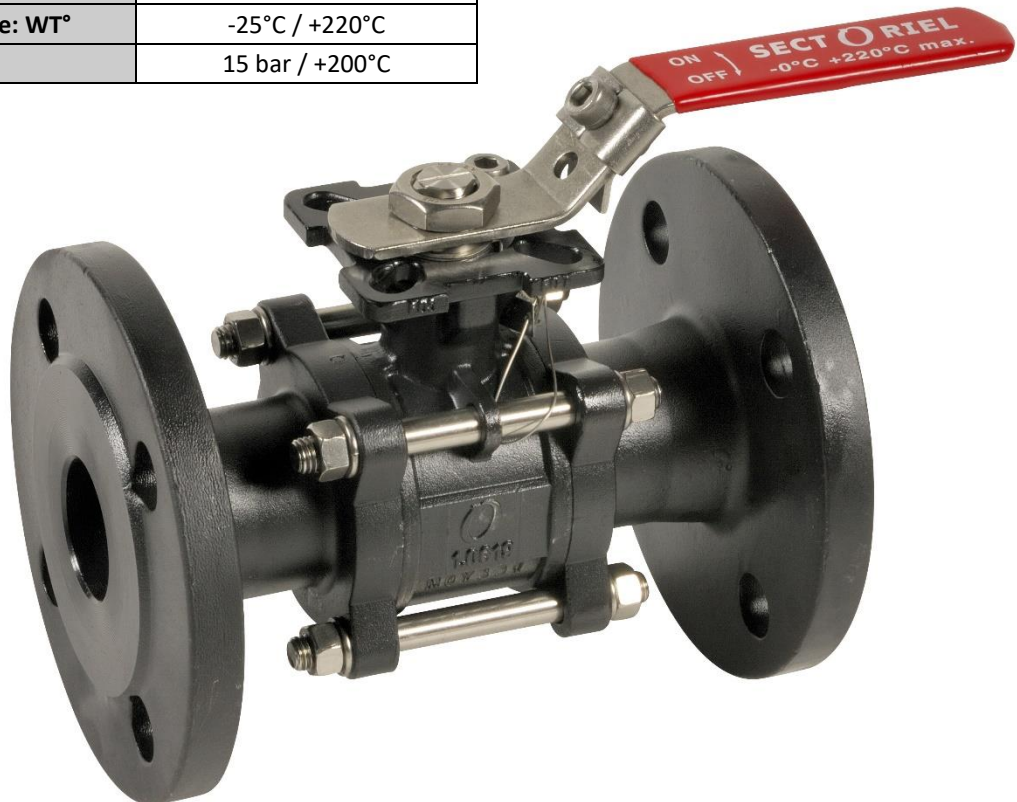
AVAILABLE MODELS

DN 15 to DN 100 diameters.
PN40 RF flange connection.



LIMITS OF USE

Fluid pressure: PS	40 bar (20°C)
Fluid temperature: WT°	-25°C / +220°C
Use on steam	15 bar / +200°C



Information given as an indication only, and subject to possible modifications



SECTORIEL S.A.
45 rue du Ruisseau
38290 SAINT QUENTIN-FALLAVIER – FRANCE
Telephone: +33 4 74 94 90 70 – Fax: +33 4 74 94 13 95
www.sectoriel.fr / Email : sectoriel@sectoriel.fr

Pages	1/3
Ref.	FT765X ENG
Rev.	0
Date	02/2019

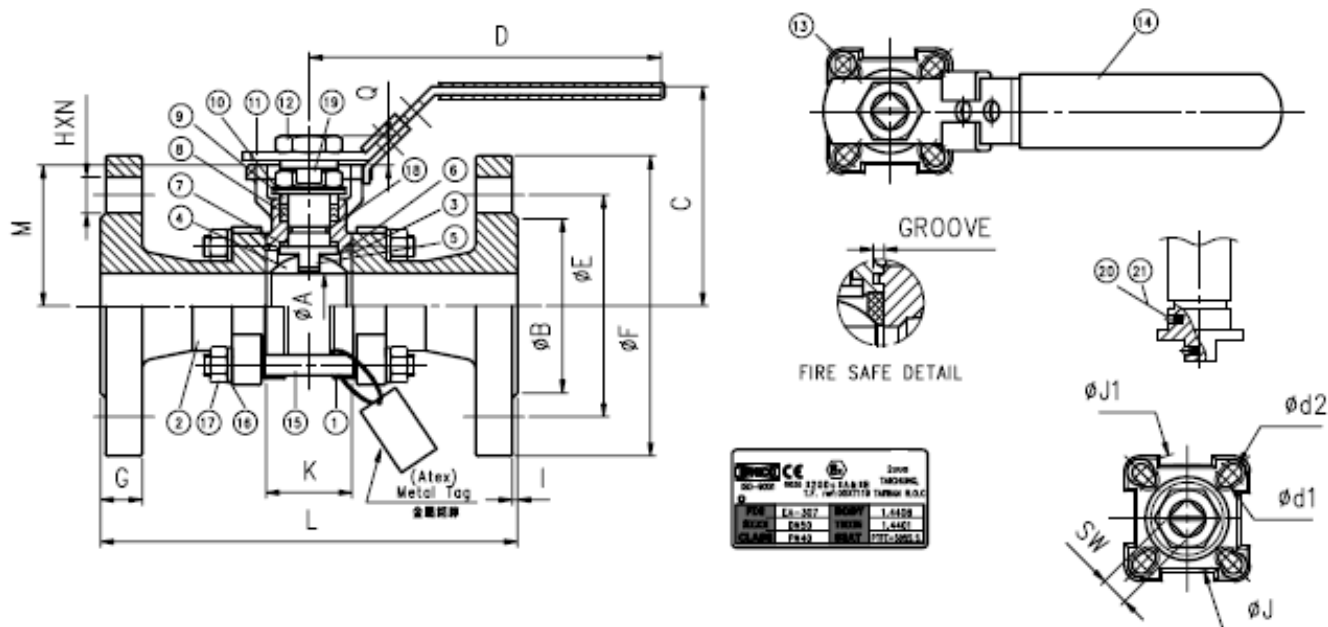
765 XS BALL VALVE

DIRECTIVES AND MANUFACTURING STANDARDS

OBJECT	Standard	ON	OBJECT	Standard
Pressure Equipment Directive 2014/68/EC	DN 15 and DN 25: not subject		Final test	EN 12266
	DN 32 to DN 100: category III	TÜV 0035	Material certificate	EN 10204
Size	EN 12516-1		Motorisation connection	ISO 5211
Steel grades	EN 1503-1		Fire safe	API 607/4 - EN10497-5
ATEX Directive	II 2G/D Tx zones 1,2,21 and 22	SIRA 0518		
	EN 13463-1 and 5			

CONSTRUCTION

No.	Name	Material	No.	Name	Material
1	Body	1.0619	12	Nut	304 SS
2	Ends	1.0619	13	Stop	304 SS
3*	Seats	PTFE+50% stainless steel	14	Coupling	PVC
4	Ball	CF8M / 316	15	Tie-bolts	304 SS
5	Stem	316 SS	16	Washer	304 SS
6*	Body gasket	Graphite	17	Nuts	304 SS
7*	Washer	PTFE+15%GF	18*	O-ring	FPM
8*	Gasket	Graphite	19	Tab washer	304 SS
9	Spacer	301 SS	20	Anti-static	316 SS
10	B. washer	301 SS	21	Spring	304 SS
11	Lever	304 SS			



Information given as an indication only, and subject to possible modifications



SECTORIEL S.A.
45 rue du Ruisseau
38290 SAINT QUENTIN-FALLAVIER – FRANCE
Telephone: +33 4 74 94 90 70 – Fax: +33 4 74 94 13 95
www.sectoriel.fr / Email : sectoriel@sectoriel.fr

Pages	2/3
Ref.	FT765X ENG
Rev.	0
Date	02/2019

765 XS BALL VALVE

DIMENSIONS (mm)

DN	A	B	C	D	E	F	SW	d1	d2	M	Q	K	L
15	16	45	70.9	125	65	95	9	6	6	42.3	8	25.2	130
20	20	58	73.4	125	75	105	9	6	6	44.8	8	27.2	150
25	24.5	68	84.1	150	85	115	11	6	7	54	12	33	160
32	32	78	89.3	150	100	140	11	6	7	59.2	12	41.2	180
40	38	88	109.5	165	110	150	14	7	9	73.5	14.8	49.3	200
50	50	102	118.9	165	125	165	14	7	9	82.9	14.8	63.6	230
65	65	122	155	300	145	185	17	9	11	107	17.1	82.1	290
80	80	138	165	335	160	200	17	9	11	117.3	17.1	95.8	310
100	100	162	180	335	190	235	17	9	11	132.3	17.1	117.8	350

Information given as an indication only, and subject to possible modifications

	SECTORIEL S.A. 45 rue du Ruisseau 38290 SAINT QUENTIN-FALLAVIER – FRANCE Telephone: +33 4 74 94 90 70 – Fax: +33 4 74 94 13 95 www.sectoriel.fr / Email : sectoriel@sectoriel.fr	Pages	3/3
		Ref.	FT765X ENG
		Rev.	0
		Date	02/2019