

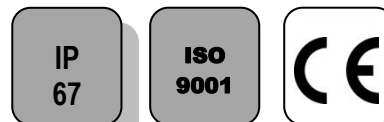
SA 05 ELECTRIC ACTUATOR

FEATURES

The SA 05 electric actuator is intended for motorising industrial 1/4" turn valves. The torque is of 50 Nm. With a compact, robust construction and IP67 epoxy-coated aluminium housing, the SA actuator is especially well suited for motorising ball valves and butterfly valves installed in workshops or outdoors. The SA 05 has a manual key control and a 3D visual position indicator. Compliant with the EN 15714-2 standard.

AVAILABLE MODELS

Supply voltages: 230V AC (50-60Hz), 24V AC/DC and 12V DC



LIMITS OF USE

IP Code	IP 67
Ambient temperature	- 20°C / +70°C
Service factor	S2: 15mn - S4: 50%



MECHANICAL FEATURES

Gear box	treated steel pinions
Torque	50 Nm
Angle of rotation	90° +/- 5°
Declutching	Without
Override control	by key (except for SA 05 S)

Actuator	SA 05			SA 05 S	
	Voltage	230V AC	24V AC/DC	12V DC	230V AC
Torque (Nm)	50				
Manoeuvring time (s)	17	10	11	100	100
ISO 5211	F03/F05/F07 star 14				

ELECTRICAL FEATURES

Motor protection	Thermal switch	Anti-condensation	5W heater
Limit switches	2 adjustable switches	Electrical connection	2 x P.E. M20x1.5
Auxiliary switches	2 adjustable dry switches		

Actuator	SA 05			SA 05 S	
	Voltage	230V AC	24V AC/DC	12V DC	230V AC
Power (W)	6 W	15 W	6 W	6 W	15 W
Current (A)	0.23	1.8	3.2	0.23	1.8

Information given as an indication only, and subject to possible modifications



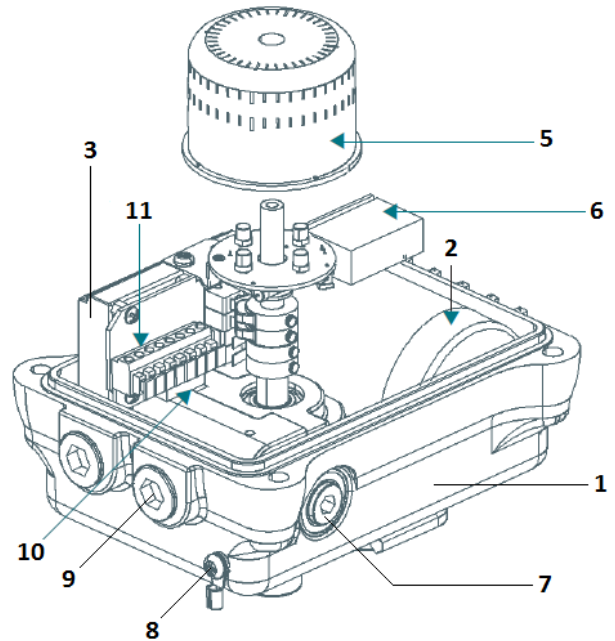
SECTORIEL S.A.
45 rue du Ruisseau
38290 SAINT QUENTIN-FALLAVIER – FRANCE
Telephone: +33 4 74 94 90 70 – Fax: +33 4 74 94 13 95
www.sectoriel.fr / Email : sectoriel@sectoriel.fr

Pages	1/3
Ref.	FT23010 ENG
Rev.	11
Date	08/2017

SA 05 ELECTRIC ACTUATOR

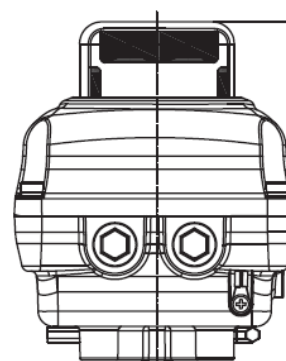
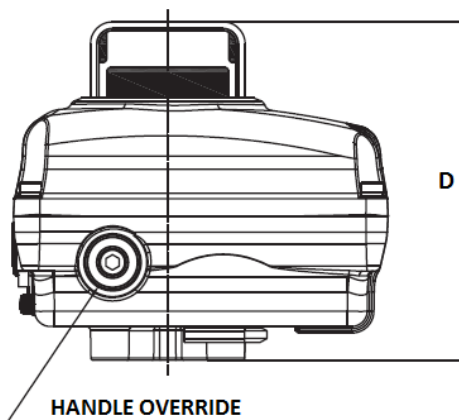
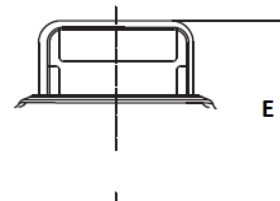
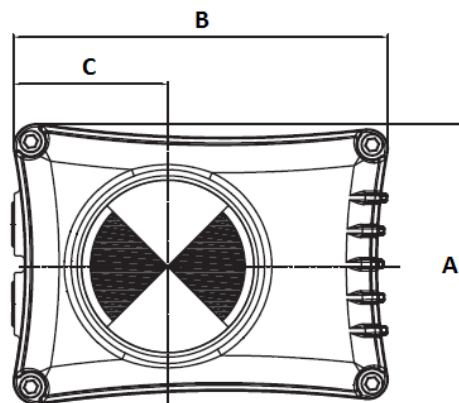
CONSTRUCTION

1	Housing	Polyester-coated aluminium
2	Electrical motor	
3	Gear box	Treated steel pinions
4	Cover	Polyester-coated aluminium
5	Position indicator	Polycarbonate plastic
6	Condenser	
7	Handle override	
8	Earthing	
9	Cable inlet	
10	Anti-condensation heater	
11	Terminal box	



DIMENSIONS (mm) AND WEIGHT (kg)

Dimensions (mm)	A	B	C	D	E	Weight (kg)
SA 05	127	170	70	153	80	3.2



Information given as an indication only, and subject to possible modifications



SECTORIEL S.A.
 45 rue du Ruisseau
 38290 SAINT QUENTIN-FALLAVIER – FRANCE
 Telephone: +33 4 74 94 90 70 – Fax: +33 4 74 94 13 95
www.sectoriel.fr / Email : sectoriel@sectoriel.fr

Pages	2/3
Ref.	FT23010 ENG
Rev.	11
Date	08/2017

SA 05 ELECTRIC ACTUATOR

WIRING DIAGRAM 230V AC 50Hz/60Hz

1	common	<p>CLS : Close Limit Switch (250VAC 3A) OLS : Open Limit Switch (250VAC 3A) ACLS : Aux Close Limit Switch (250VAC 3A) AOLS : Aux Open Limit Switch (250VAC 3A) TP : Thermal Protector (250VAC 3A) RM : Motor Regulation</p>
2	Anti-condensation heater	
3	closing command	
4	opening command	
5	closing auxiliary	
6	closing auxiliary	
7	opening auxiliary	
8	Opening auxiliary	

WIRING DIAGRAM 24V AC/DC-12V DC

1	Common or +	<p>CLS : Close Limit Switch (250VAC 3A) OLS : Open Limit Switch (250VAC 3A) ACLS : Aux Close Limit Switch (250VAC 3A) AOLS : Aux Open Limit Switch (250VAC 3A) TP : Thermal Protector (250VAC 3A) RM : Motor Regulation</p>
2	Closing command	
3	Opening command	
4	closing auxiliary	
5	opening auxiliary	
6	Auxiliaries common	
7	Anti-condensation heater power supply	
8	Anti-condensation heater power supply	

OPTIONS

1	SA 05 X: version for ATEX zone
2	SA 05 PIU: version with feedback potentiometer
3	SA 05 CPT: version with position transmitter 4-20 mA
4	SA 05 PCU: version with adjustment card 0-10, 2-10V, 2-20 mA, 4-20 mA
5	SA 05 LCU: version with local control
6	SA 05 RBP: version with in-built fail safe/security

Information given as an indication only, and subject to possible modifications



SECTORIEL S.A.
 45 rue du Ruisseau
 38290 SAINT QUENTIN-FALLAVIER – FRANCE
 Telephone: +33 4 74 94 90 70 – Fax: +33 4 74 94 13 95
www.sectoriel.fr / Email : sectoriel@sectoriel.fr

Pages	3/3
Ref.	FT23010 ENG
Rev.	11
Date	08/2017