

**1 PIECE BALL VALVE PN40**



**WSF**  
ISO9001

  
TÜVRheinland®  
PED/2014/68/EU

CE

Certificate 3.1

**Size :** DN 1/4" to 2"  
**Ends :** Threaded BSP  
**Min Temperature :** -20°C  
**Max Temperature :** + 180°C  
**Max Pressure :** 40 Bars  
**Specifications :** Anti blow-out stem  
Locking device  
1 piece type

**Materials :** Stainless steel ASTM A351 CF8M

**1 PIECE BALL VALVE PN40**

**SPECIFICATIONS :**

- Reduced bore
- Anti blow-out stem
- Locking device
- Solid ball
- 1 piece type

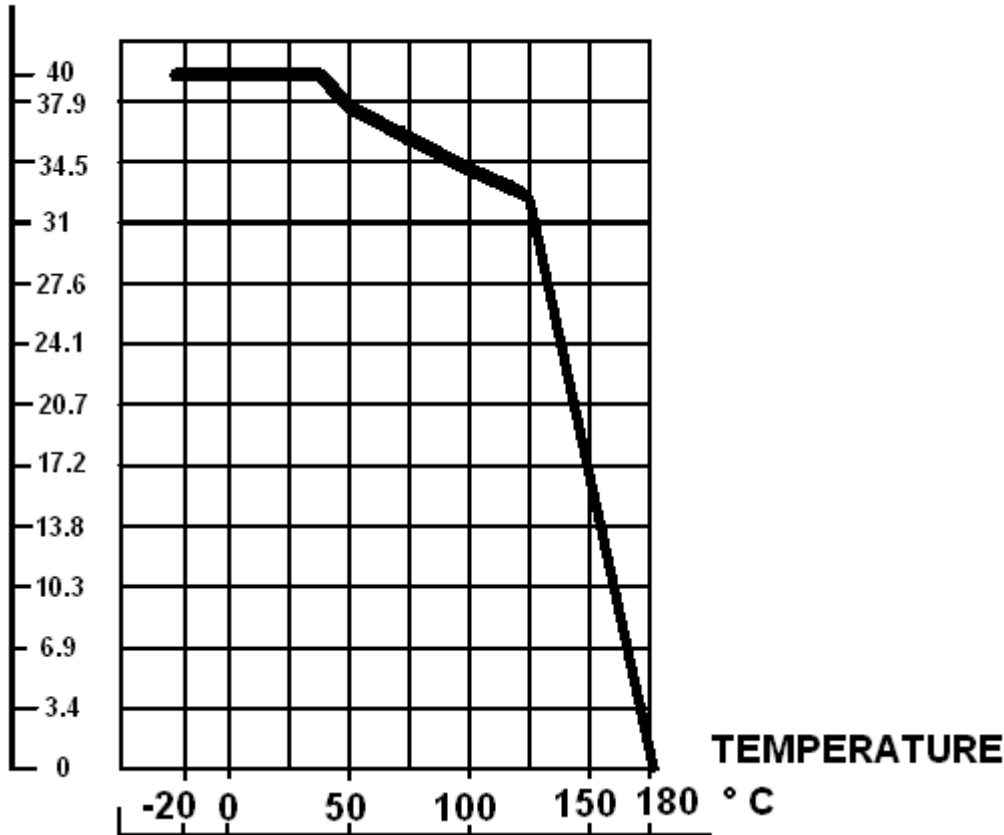
**USE :**

- Chemical and pharmaceutical industries, petrochemical industries, hydraulic installation, compressed air
- Min and max Temperature Ts : -20°C to + 180°C
- Max Pressure Ps : 40 bars ( see graph )

**PRESSURE / TEMPERATURE GRAPH ( STEAM EXCLUDED ) :**

**PRESSURE**

**BAR**



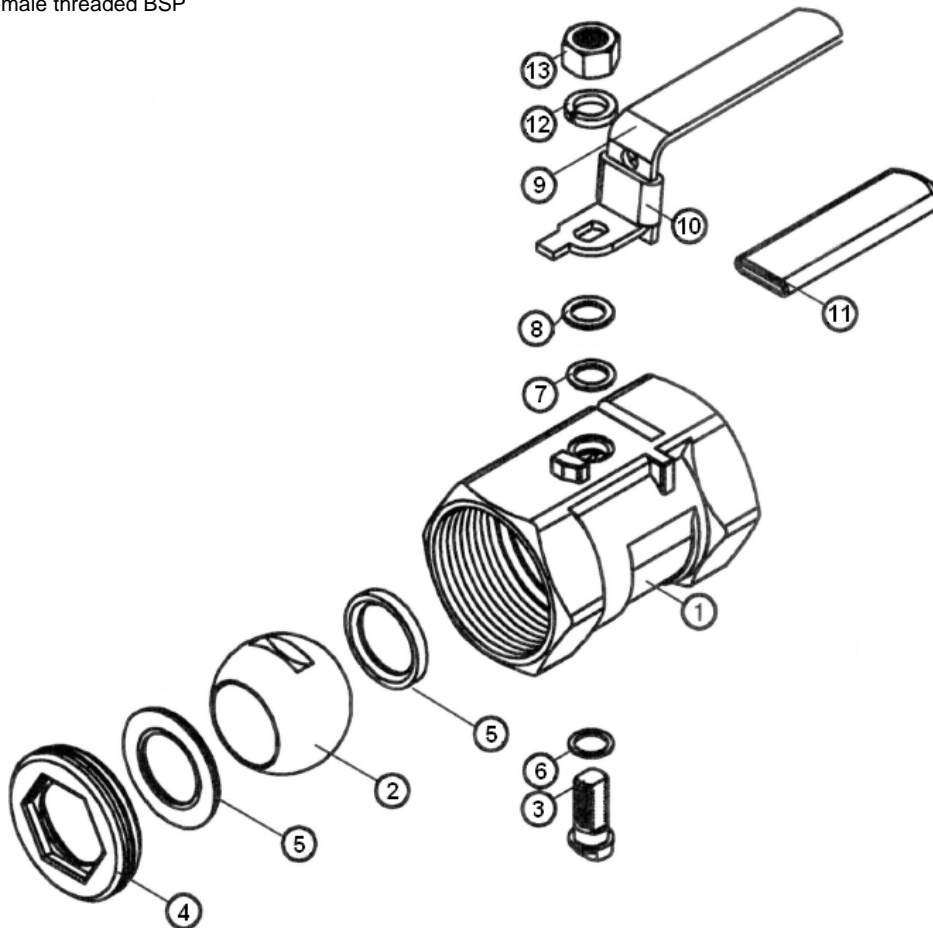
## 1 PIECE BALL VALVE PN40

**RANGE :**

- Stainless steel DN 1/4" to DN 2"

**ENDS :**

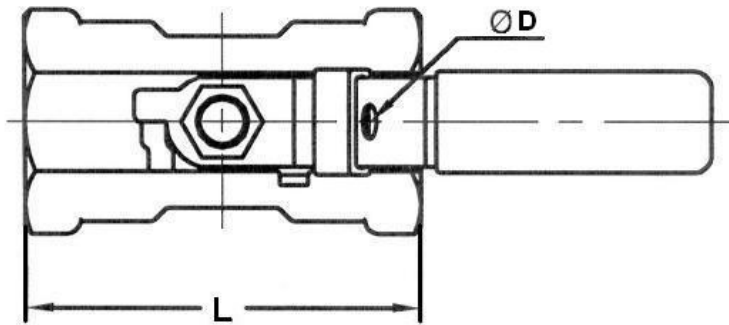
- Female / female threaded BSP

**MATERIALS :**


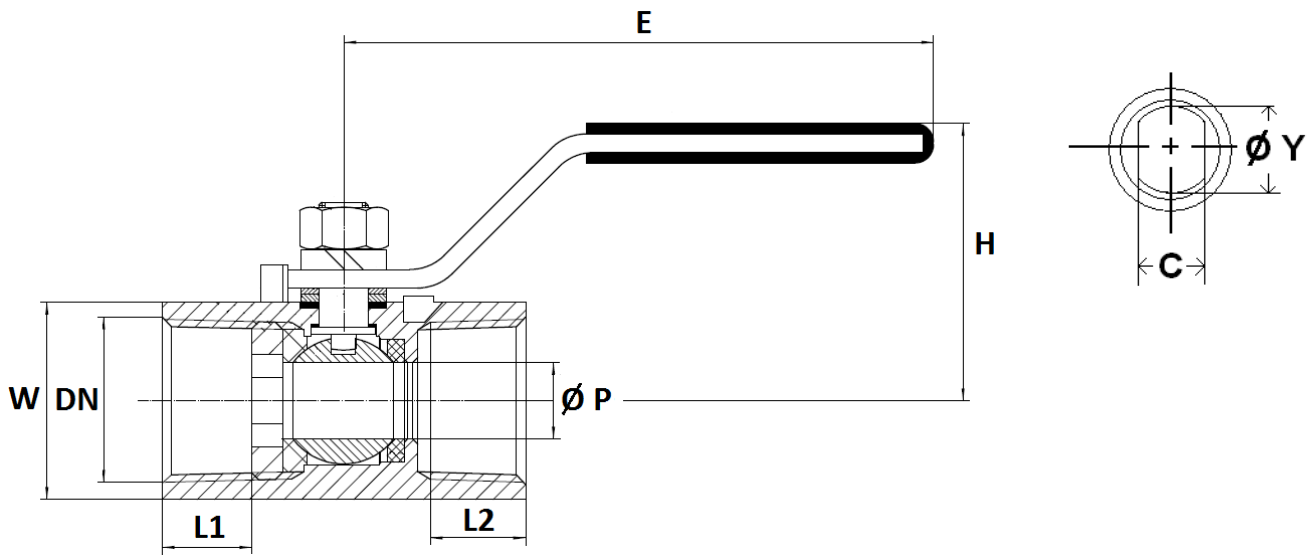
Item	Designation	Materials
1	Body	ASTM A351 CF8M
2	Ball	ASTM A351 CF8M
3	Stem	AISI 316
4	Insert	
5	Seat	PTFE
6	Stem packing	PTFE
7	Thrust washer	PTFE
8	Gland	AISI 304
9	Handle	
10	Locking device	
11	Handle cover	
12	Handle washer	AISI 304
13	Handle nut	

**1 PIECE BALL VALVE PN40**

SIZE ( in mm ) :



Stem size :



Ref.	DN	1/4"	3/8"	1/2"	3/4"	1"	1"1/4"	1"1/2"	2"
708	$\varnothing P$	5	6.8	9	12.5	16	20	25	32
	L	39	44	56.5	58.5	71	78	83	100
	$\varnothing D$	6	6	8	8	8	8	8	8
	E	65	65	96	96	101	101	135	135
	H	32	35	45	48	56	61	70	76
	L1	9.5	10.5	16	15	17	19	20	23
	L2	9.5	10.5	14	15	17	19	19	23
	W on flat	17	21	25	32	38	48	53	66
	C	3	4	5	5	6	6	8	8
	$\varnothing Y$	4,6	6	7	7	9	9	11.5	11.5
Weight (Kg)	0.06	0.1	0.19	0.26	0.41	0.62	0.84	1.33	

## 1 PIECE BALL VALVE PN40

**TORQUE VALUES ( in Nm without safety coefficient ) :**

DN	1/4"	3/8"	1/2"	3/4"	1"	1"1/4"	1"1/2"	2"
TORQUE (Nm)	2	2	3	4	5	6	8	10

**STANDARDS :**

- Fabrication according to ISO 9001 : 2008
- DIRECTIVE 2014/68/EU : CE N° 0035  
Risk Category III Module H
- Certificate 3.1 on request
- Pressure tests according to ISO 5208, Rate A
- Threaded cylindrical BSP ends according to ISO 228-1

**ADVICE :** Our opinion and our advice are not guaranteed and SFERACO shall not be liable for the consequences of damages. The customer must check the right choice of the products with the real service conditions.

## **INSTALLATION AND MAINTENANCE**

**BEFORE INSTALLATION :**

Pipe-line must be cleaned and free from residual of weldings, rubbish, shaving and every kind of extraneous materials. Pipe-line must be perfectly aligned and their support properly dimensioned so that there's no external constraint.

Please use the right product according to the services conditions to seal the valve. Use the right bolt tightening so that the ends won't be damaged.

**CLEANING AND TESTS**

Keep opened the valves during the cleaning operation so that there are no impurities between the ball and the body.

Tests under pressure must be done with a cleaned pipe-line.

Open partially the valve for tests. Pressure test do not exceed the valve specifications according to EN 12266-1.

**MAINTENANCE**

It's recommended to operate the valve twice ( open and close ) 1 to 2 times per year.

When intervention on the valve, be sure there's no pressure in the pipe-line, there's no fluid in it, and that it is isolated. The temperature must be low enough to operate without risks. If there's a corrosive fluid, inert installation before intervention.

**When the valve is under pressure :**

If there's a leakage at the packing, tighten it slightly so that the leakage disappears.