

Multiport valves



Introduction

Multiport valves are used primarily to simplify pipe and valve systems by replacing multiple two-way valves and automation devices with one multiport valve. Multiport valves minimize dead legs, optimize drainability, simplify system validation and provide a reduced envelope profile for easier installation and safer operation in constrained spaces. Customized configurations for complex challenges minimize system welds and their associated quality problems. They reduce the risk of leak paths and solve space constraint problems. Multiport valves are available in a variety of flow patterns and directions and in both automatic and manual configurations the possibilities are endless.

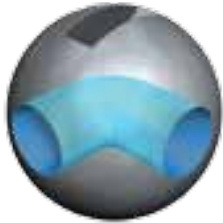
Technical summary

Size range	¾" (½" FB) - 4" (DN20 - DN100)
Temperature range	-60 °C to +260 °C (-76 °F to +500 °F)
Materials	Stainless steel A351 CF8M, carbon steel A216 WCB, alloy C22, alloy C276, duplex, super duplex, 254SMO, inconel 625, monel 400, titanium and more
End connections	Threaded, welded, flanged
Operation	Lever or gear operated, pneumatic or electric actuated
Service	Chemical, petrochemical, oil and gas, energy, and more

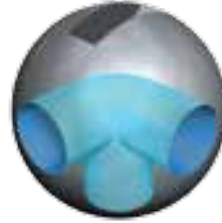
Standards of compliance

Factory certification	ISO 9001-2008	Quality management system
Valve design & tests	ANSI B16.34, API 6D / ISO 14313, ISO 17292	Valve design
	ANSI B1.20.1	NPT - National Pipe Taper thread
	EN 10226-1, ISO 7-1, JIS B0203	BSPT - British Standard Pipe Taper thread
	DIN 3852	BSPP
	ANSI B16.11, EN 12760	Socket weld end connection
	ANSI B16.25, EN12627-4	Buttweld end connection (schedule 5, 10, 40, 80)
	ANSI B16.5, EN 1092 Pt 1&2	Flange dimensions
	ANSI B16.10, EN 558	Face-to-Face dimensions
	NACE MR-0175, ISO 15156-1/2/3	Materials for use in H ₂ S-containing environments in oil and gas production
	EN 12266-1, API 598	Testing of metallic valves - pressure tests, test procedures and acceptance criteria.
Certifications	ISO 15848-1	Industrial valves - measurement, test and qualification procedures for fugitive emissions
	PED 97/23/EC Module H	Pressure equipment directive
	ATEX 94/9/EC	equipment and protective systems intended for use in potentially explosive atmospheres (optional for actuated unit only)
	IEC 61508-2 SIL 2/3	Safety integrity level - functional safety of electrical/electronic/programmable electronic safety-related systems (optional for actuated unit only)
Documentation	EN 10204 2.2 / 3.1 / 3.2	Metallic materials - types of inspection documents

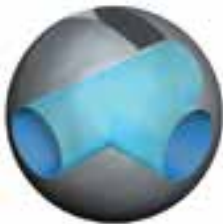
Ball types



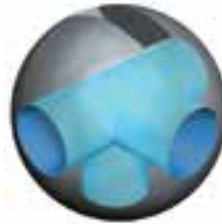
L - Horizontal



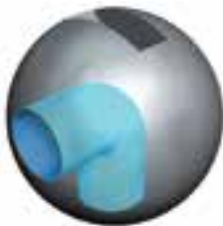
LL



T - Horizontal



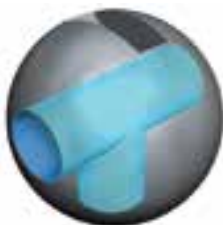
TT



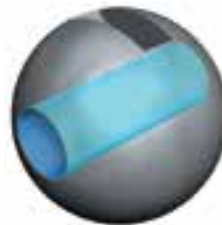
L - Vertical



X (LL)



T - Vertical

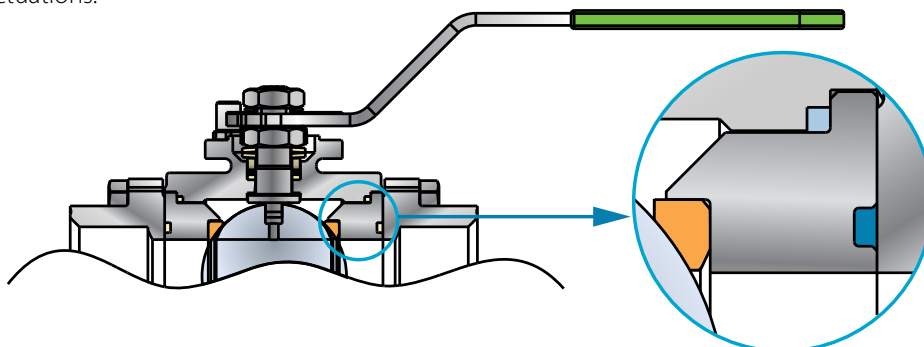


I

Seats & body seals

The 61/62 series valves have 4 seats that provide enhanced sealing characteristics. The seats are inserted into a support ring which is sealed with 2 separate body seals -- 1 seal between the support ring and the body and the other between the support ring and the end connector.

Both body seals are encapsulated and thus provide tighter compression of the seal for higher pressure & temperature fluctuations.



How to use the valve selection

1. Select the valve type

3 Way Valve - Side Entry



2. Select the ball type

T - Horizontal



3. Select the rotation angle

90°

180°

360°

4. Select the rotation direction (ccw/cw)

CCW

CW

5. Select the starting position and flow pattern

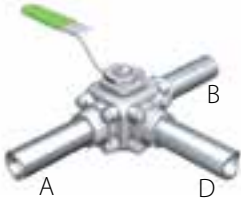
Flow is indicated by a blue pipeline.



6. Use the flow pattern code number to order the appropriate valve

90°	CCW <input type="radio"/>				CW <input type="radio"/>			
	# 001	# 002	# 003	# 004	# 005	# 006	# 007	# 008
Start								
2 nd								

3 Way Valve - side entry



T - Horizontal

90°	CCW ◯				CW ◯			
	# 001	# 002	# 003	# 004	# 005	# 006	# 007	# 008
Start								
2 nd								

180°	CCW ◯				CW ◯			
	# 009	# 010	# 011	# 012	# 013	# 014	# 015	# 016
Start								
2 nd								
3 rd								

360°	CCW ◯	CW ◯
	# 017	# 018
Start		
2 nd		
3 rd		
4 th		

Floating Ball Valves

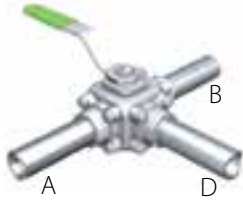
Multiport

General

Multiport valves
selection

Ordering
code system

3 Way valve - side entry

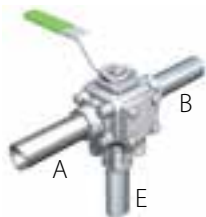


L - Horizontal

90°	CCW ◯			CW ◯		
	# 019	# 020	# 021	# 022	# 023	# 024
Start						
2 nd						

180°	CCW ◯		CW ◯	
	# 025	# 026	# 027	# 028
Start				
2 nd				
3 rd				

3 Way valve - bottom entry

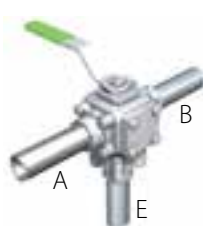


LL



90°	CCW ◯
	# 029
Start	
2 nd	

3 Way valve - bottom entry

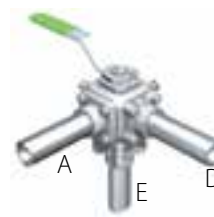


L - Vertical



180°	CCW ◯
	# 030
Start	
2 nd	
3 rd	

3 Way valve - bottom entry

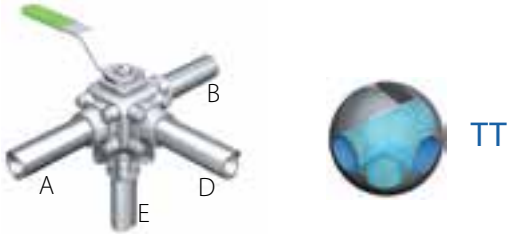


L - Vertical



90°	CCW ◯
	# 031
Start	
2 nd	

4 Way valve - bottom entry



90°	CCW ◯				CW ◯			
	# 032	# 033	# 034	# 035	# 036	# 037	# 038	# 039
Start								
2 nd								

180°	CCW ◯				CW ◯			
	# 040	# 041	# 042	# 043	# 044	# 045	# 046	# 047
Start								
2 nd								
3 rd								

360°	CCW ◯	CW ◯
	# 048	# 049
Start		
2 nd		
3 rd		
4 th		

Floating Ball Valves

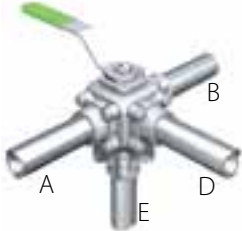
Multiport

General

Multiport valves
selection

Ordering
code system

4 Way valve - bottom entry

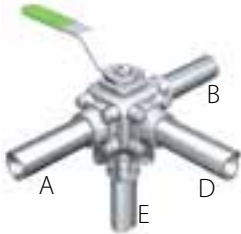


90°	CW ○ # 050
Start	
2 nd	

180°	CCW ○				CW ○			
	# 051	# 052	# 053	# 054	# 055	# 056	# 057	# 058
Start								
2 nd								
3 rd								

360°	CCW ○	CW ○
	# 059	# 060
Start		
2 nd		
3 rd		
4 th		

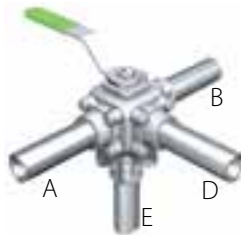
4 Way valve - bottom entry



T - Vertical

90°	CCW ○ # 061
Start	
2 nd	

4 Way valve - bottom entry



L - Vertical

360°	CCW ○	CW ○
	# 062	# 063
Start		
2 nd		
3 rd		
4 th		

Floating Ball Valves

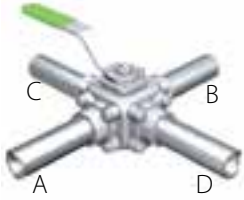
Multiport

General

Multiport valves
selection

Ordering
code system

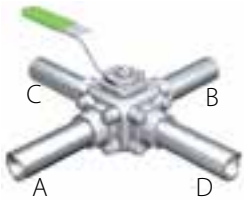
4 Way valve- side entry



T - Horizontal

90°	CCW ○	CW ○	180° 2 positions	CW ○	180° 3 positions	CCW ○	CW ○
	# 064	# 065		# 066		# 067	# 068
Start			Start		Start		
2 nd			2 nd		2 nd		
					3 rd		

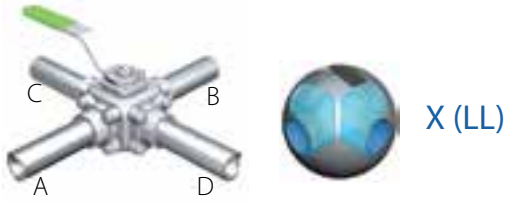
4 Way valve- side entry



L - Horizontal

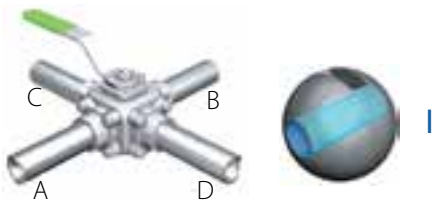
180°	CCW ○	360°	CCW ○	CW ○
	# 069		# 070	# 071
Start		Start		
2 nd		2 nd		
		3 rd		
		4 th		

4 Way valve- side entry



90°	CCW ○ # 072
Start	
2 nd	

4 Way valve- side entry



90°	CCW ○ # 073
Start	
2 nd	

Floating Ball Valves

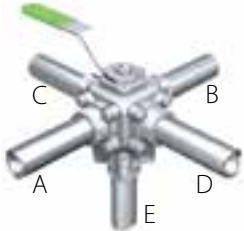
Multiport

General

Multiport valves
selection

Ordering
code system

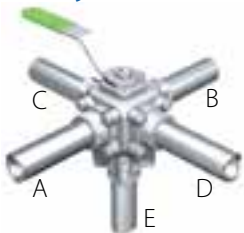
5 Way Valve - bottom Entry



TT

90°	CCW ◯	CW ◯	180°	CCW ◯	CW ◯	360°	CCW ◯	CW ◯
	# 074	# 075		# 076	# 077		# 078	# 079
Start			Start			Start		
2 nd			2 nd			2 nd		
			3 rd			3 rd		
						4 th		

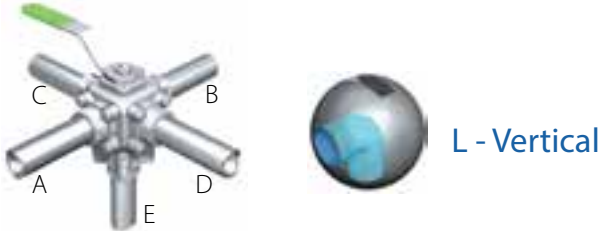
5 Way Valve - bottom Entry



T - Vertical

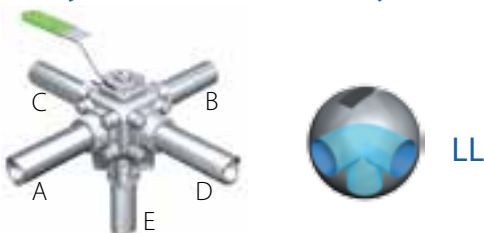
90°	CCW ◯
	# 080
Start	
2 nd	

5 Way Valve - bottom Entry



360°	CCW ◯	CW ◯
	# 081	# 082
Start		
2 nd		
3 rd		
4 nd		

5 Way Valve - bottom Entry



180° 2 positions	CCW ◯	360°	CCW ◯	CW ◯
	# 083		# 084	# 085
Start		Start		
2 nd		2 nd		
		3 rd		
		4 nd		

Floating Ball Valves

Multiport

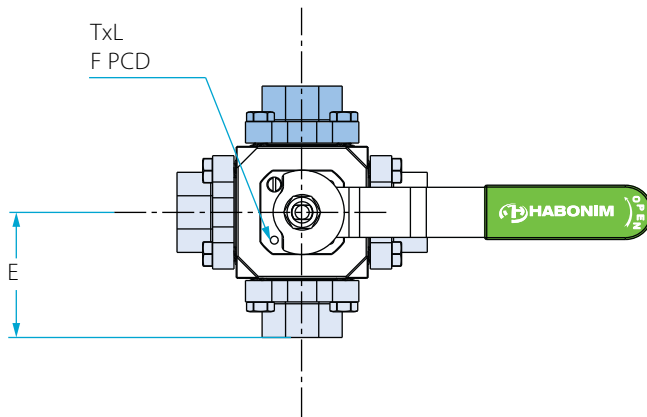
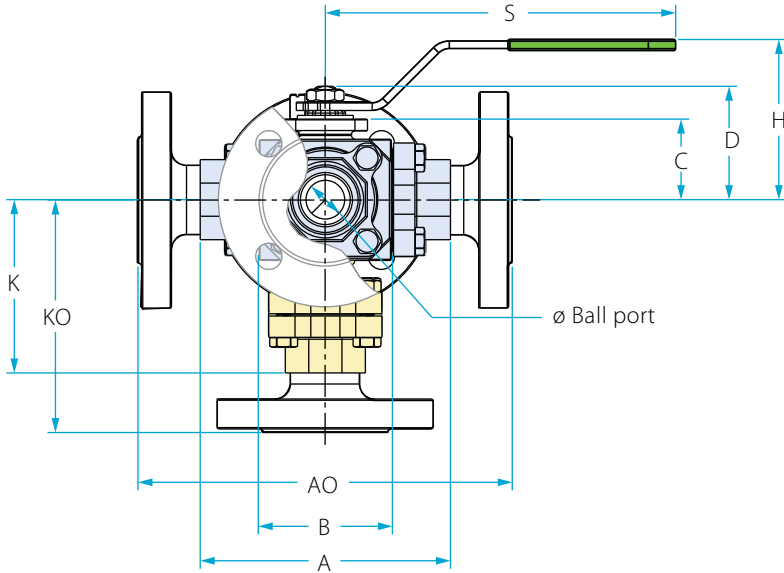
General

Multiport valves
selection

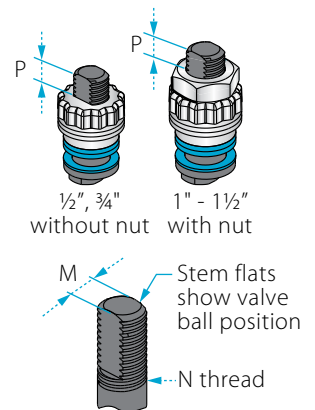
Ordering
code system

Size 1/2"- 1 1/2" | DN15-DN40 | Class 600 | 61X/62X, 61P⁽¹⁾/62P⁽¹⁾

Valve dimensions

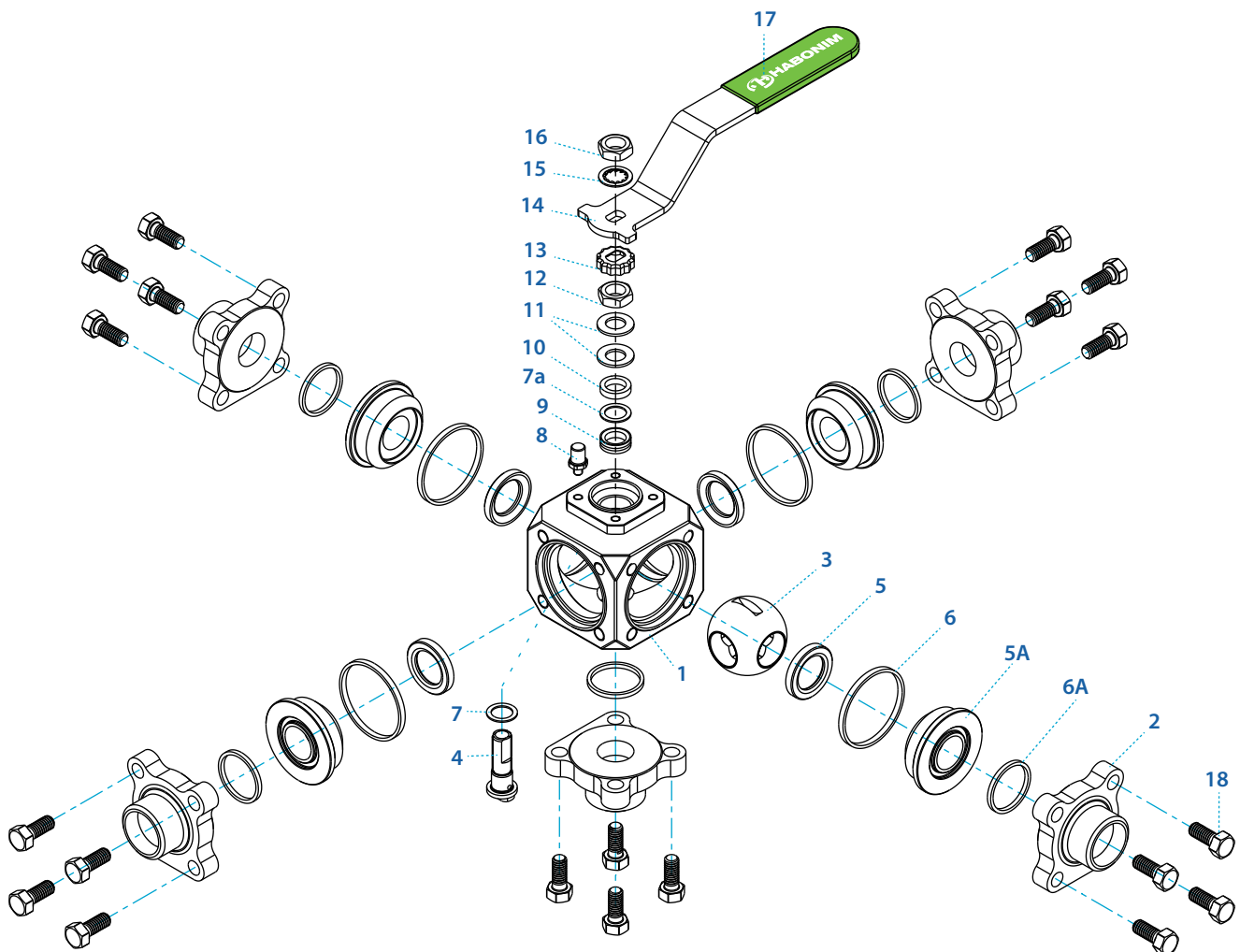


Preparation for actuation



Std. port	Unit	Ball port	A	AO			B	C	D	E (E0)	K	KO			H	M	N	P	TxL	F	S	Weight kg/lb
				ANSI 150	ANSI 300	PN16 PN40						ANSI 150	ANSI 300	DIN								
DN15	mm	14.30	108.00	154.50	190.00	187.50	62.00	37.50	50.00	A/2 (A0/2)	110.50	133.70	151.50	150.20	80.00	7.54	7/16"	7.00	M5	(F04)	187.00	3.00
1/2"	inch	0.56	4.25	6.08	7.48	7.38	2.44	1.47	2.16		4.35	5.26	5.96	5.91	3.14	0.29	UNF	0.27	Thru		7.36	6.00
DN20	mm	14.30	108.00	154.50	190.00	187.50	62.00	37.50	50.00	A/2 (A0/2)	110.50	133.70	151.50	150.20	80.00	7.54	7/16"	7.00	M5	(F04)	187.00	3.00
3/4"	inch	0.56	4.25	6.08	7.48	7.38	2.44	1.47	2.16		4.35	5.26	5.96	5.91	3.14	0.29	UNF	0.27	Thru		7.36	6.00
DN25	mm	20.60	135.00	167.00	205.00	200.00	71.60	43.00	60.50	A/2 (A0/2)	93.20	109.20	128.20	125.70	85.50	7.54	7/16"	7.00	M5	(F04)	187.00	4.00
1"	inch	0.81	5.31	6.57	8.07	7.87	2.81	1.69	2.38		3.66	4.29	5.04	4.94	3.36	0.29	UNF	0.27	Thru		7.36	10.00
DN32	mm	25.50	144.00	174.50	205.50	207.50	76.00	48.00	65.50	A/2 (A0/2)	102.00	117.20	132.70	133.70	90.00	7.54	7/16"	7.00	M5	(F04)	187.00	6.00
1 1/4"	inch	1.00	5.66	6.87	8.09	8.16	2.99	1.88	2.57		4.01	4.61	5.22	5.26	3.54	0.29	UNF	0.27	Thru		7.36	10.00
DN40	mm	31.65	158.00	208.00	233.50	243.00	91.00	49.50	79.00	A/2 (A0/2)	106.00	131.00	143.70	148.50	103.00	8.71	9/16"	10.00	M6x9	(F05)	236.00	8.00
1 1/2"	inch	1.24	6.22	8.18	9.19	9.56	3.58	1.94	3.11		4.17	5.15	5.65	5.84	4.05	0.34	UNF	0.39			9.29	15.00

Components & materials



Item	Description	Material specification	Qty.
1	Body	A351 CF8M, A216WCB, A105, A351 CN7M, A494 M35-1, A494 CW-12MW, A494 CX-2MW, A351 CK3MCuN, A995 CD3MN 4A, A995 CE3MN 5A	1
2	Ends	A351 CF3M, A216WCB, A105, A351 CN7M, A494 M35-1, A494CW-12MW, A494CX-2MW, A351 CK3MCuN A995 CD3MN 4A A995 CE3MN 5A	4
3	Ball	A351 CF8M, B473 N08020, B164 N04400, B574 N06022, B574 N10276, A479 S31254, A479 S31803, A479 S32750	1
4	Stem	A479316L, A564Gr.630 H1150D17-4PH, B473 N08020, B164 N04400, B574 N06022, B574 N10276, A479 S31254, A479 S31803, A479 S32750	1
5*	Seat	PTFE, RPTFE, CF PTFE, PEEK, CF PEEK, TFM, UHMWPE, VESPEL, PVDF, DELRIN, PCTFE (KEL-F)	4
5A	Support seat	A479 316U B473 N08020, B164 N04400, B574 N06022, B574 N10276, A479 S31254, A479 S31803 A479S32750	4
6	Body seal	PTFE, RPTFE, UHMWPE, Graphite ⁽²⁾	5

Item	Description	Material specification	Qty.
6A	Seal seat	PTFE, RPTFE, UHMWPE, Graphite ⁽²⁾	4
7*	Stem thrust seal	PEEK, CF PEEK, PCTFE (KEL-F), TFM ⁽²⁾ , CF PTFE ⁽²⁾	1
7a**	Anti-abrasion ring	PEEK, CF PEEK, PCTFE (KEL-F), TFM ⁽²⁾ , CF PTFE ⁽²⁾	1
8	Stop pin	A582303	1
9*	Stem seal	CF PTFE, TFM, Graphite ⁽²⁾	1
10	Follower	B783 316U B164 N04400	1
11	Disc spring	A693 631 17-7PH	2
12	Stem nut	EN3506-2 A4-80, A194 Gr 8M	1
13	Locking clip	A164 8,8A	1
14	Handle	C.St. A29 G10200 zinc-plated, A240 430	1
15	Serrated washer	A1946	1
16	Handled nut	A194Gr8M, EN3506-2A4-80	1
17	Sleeve	PVC	1
18	Body bolt	EN 3506-1 A2-70 / A4-80, A193 Gr B7 zinc-plated, A193 Gr B8M zinc-plated	20
23	Tag (not shown)	A167304	1

⁽¹⁾ 61P/62P Series is Habonim's standard valve design without the HermetiX™ stem seal.

⁽²⁾ This material can only be used as part of the 61P design.

* Repair kit components

** Only with HermetiX™ stem seal

*** Only with graphite body seal

Floating Ball Valves

Multiport

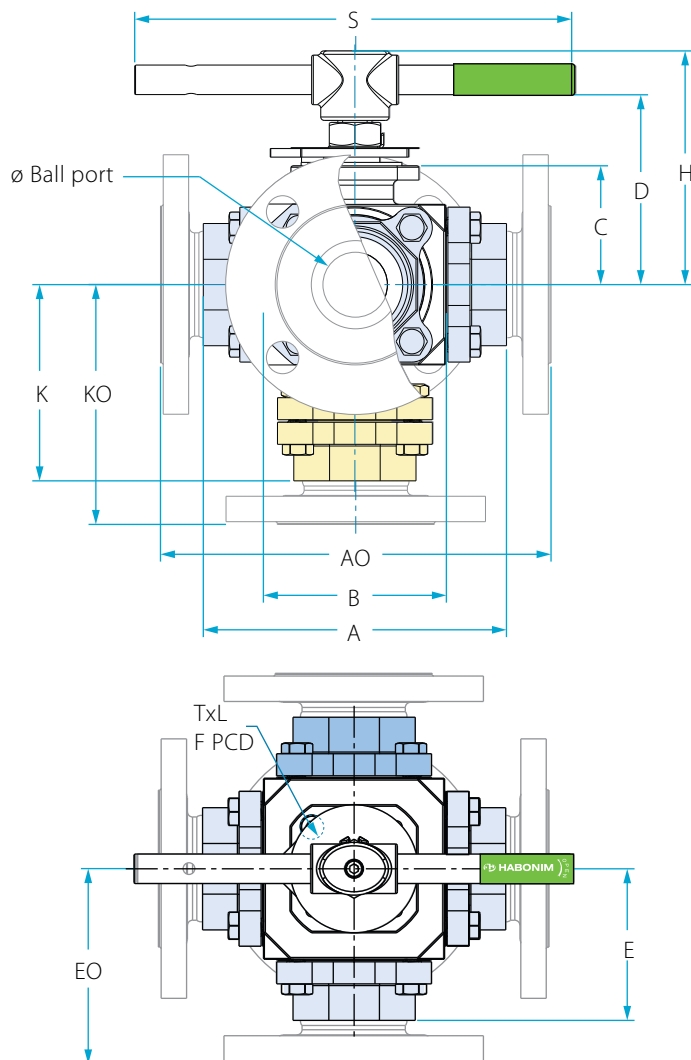
General

Multiport valves
selection

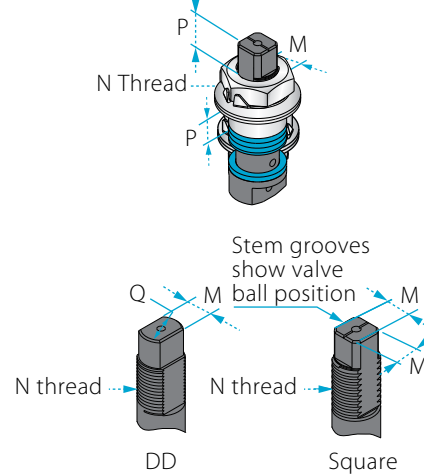
Ordering
code system

Size 2"- 2½" | DN50-DN65 | Class 300 | 61X/62X, 61P⁽¹⁾/62P⁽¹⁾

Valve dimensions

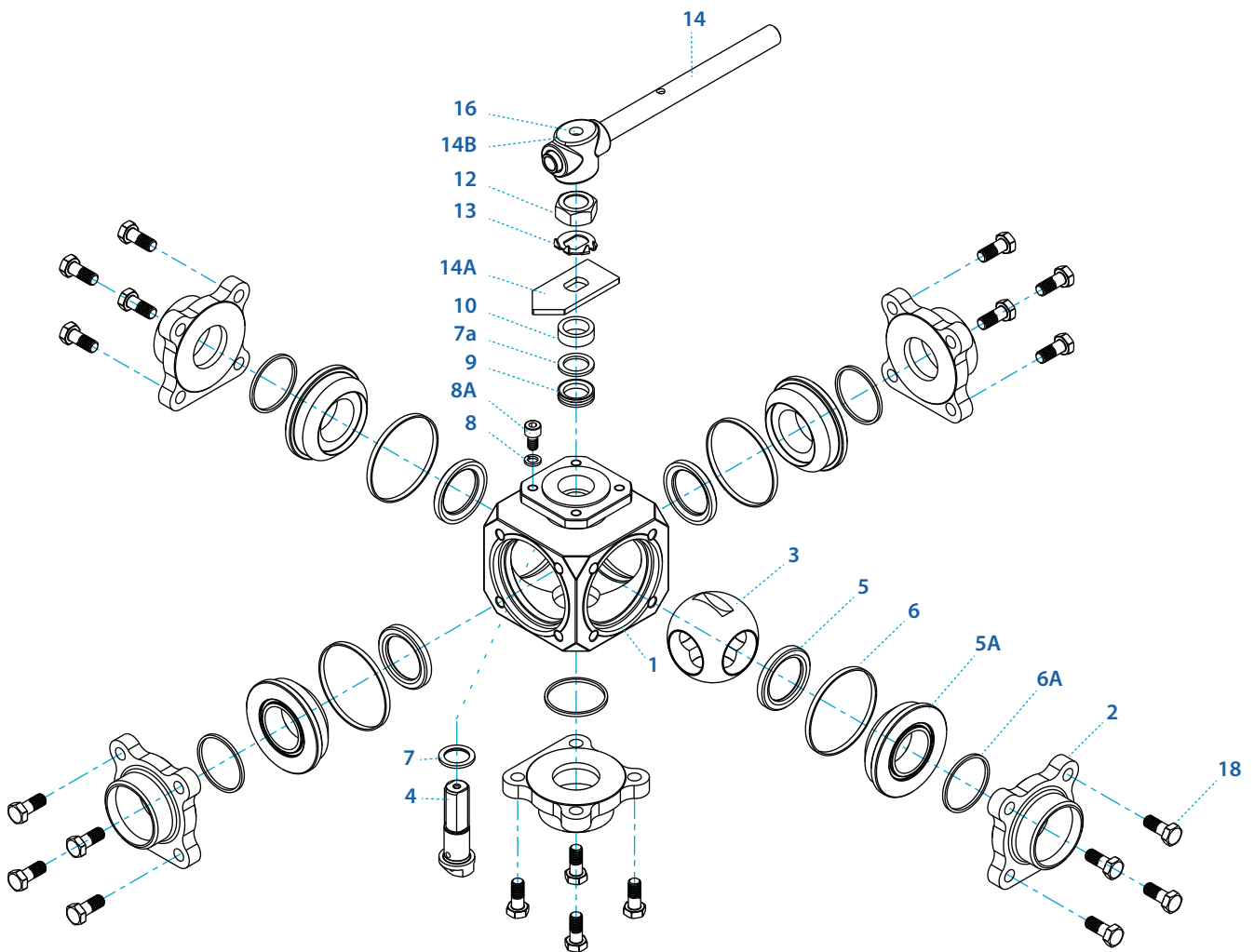


Preparation for actuation



Std. port	Unit	Ball port	A	A0			B	C	D	E (E0)	K	K0			H	M	N	P	TxL	F	S	Weight kg/lb
				ANSI 150	ANSI 300	PN16 PN40						ANSI 150	ANSI 300	PN16 PN40								
DN50	mm	38.10	178.00	228.70	266.80	280.90	107.20	69.60	111.20	A/2 (A0/2)	115.00	140.50	159.50	166.30	139.40	13.92	M20 x 2.5-6g	15.10	M8X10	(F07)	255.00	13.00
2"	inch	1.50	7.00	9.00	10.50	11.05	4.22	2.74	4.37		4.52	5.53	6.27	6.54	5.48	0.54		0.59			10.03	23.00
DN65	mm	50.80	210.40	242.90	293.70	342.40	125.00	78.50	120.10	A/2 (A0/2)	143.20	159.50	184.80	209.20	150.90	13.92	M20 x 2.5-6g	15.10	M8X10	(F07)	255.00	21.00
2½"	inch	2.00	8.28	9.56	11.56	13.48	4.92	3.09	4.72		5.63	6.27	7.27	8.23	5.94	0.54		0.59			10.03	39.00

Components & materials



Item	Description	Material specification	Qty.
1	Body	A351 CF8M, A216WCB, A105, A351 CN7M, A494 M35-1, A494 CW-12MW, A494 CX-2MW, A351 CK3MCuN, A995 CD3MN 4A, A995 CE3MN 5A	1
2	Ends	A351 CF3M, A216WCB, A105, A351 CN7M, A494 M35-1, A494CW-12MW, A494CX-2MW, A351 CK3MCuN A995 CD3MN 4A A995 CE3MN 5A	4
3	Ball	A351 CF8M, B473 N08020, B164 N04400, B574 N06022, B574 N10276, A479 S31254, A479 S31803, A479 S32750	1
4	Stem	A479316L, A564Gr.630 H1150D17-4PH, B473 N08020, B164 N04400, B574 N06022, B574 N10276, A479 S31254, A479 S31803, A479 S32750	1
5*	Seat	PTFE, RPTFE, CF PTFE, PEEK, CF PEEK, TFM, UHMWPE, VESPEL, PVDF, DELRIN, PCTFE (KEL-F)	4
5A	Support seat	A479 316U B473 N08020, B164 N04400, B574 N06022, B574 N10276, A479 S31254, A479 S31803 A479S32750	4
6	Body seal	PTFE, RPTFE, UHMWPE, Graphite ⁽²⁾	5

Item	Description	Material specification	Qty.
6A	Seal seat	PTFE, RPTFE, UHMWPE, Graphite ⁽²⁾	4
7*	Stem thrust seal	PEEK, CF PEEK, PCTFE (KEL-F), TFM ⁽²⁾ , CF PTFE ⁽²⁾	1
7a**	Anti-abrasion ring	PEEK, CF PEEK, PCTFE (KEL-F), TFM ⁽²⁾ , CF PTFE ⁽²⁾	1
8	Spring Washer	DIN 127 A2	1
8A	Stop Bolts	A193 B8, DIN 912 A2-70	1
9*	Stem seal	CF PTFE, TFM, Graphite ⁽²⁾	1
10	Follower	B783 316U B164 N04400	1
12	Stem nut	EN3506-2 A4-80, A194 Gr 8M	1
13	Tab Lock Washer	DIN 127 A2-70	1
14	Wrench Handle	C.St. Zinc Plate	1
14A	Stop Plate	C.St. 1.0402 Zinc Plate	1
14B	Wrench Head	Ductile Iron A536 Gr 65-45-12	1
16	Wrench Bolt	EN3506-1 A2-70/A4-80, A193 Gr B8/B8M	1
17	Sleeve	PVC	1
18	Body bolt	EN 3506-1 A2-70 / A4-80, A193 Gr B7 zinc-plated, A193 Gr B8M zinc-plated	20
23	Tag (not shown)	A167304	1

⁽¹⁾ 61P/62P Series is Habonim's standard valve design without the HermetiX™ stem seal.

⁽²⁾ This material can only be used as part of the 61P design.

* Repair kit components

** Only with HermetiX™ stem seal

*** Only with graphite body seal

Floating Ball Valves

Multiport

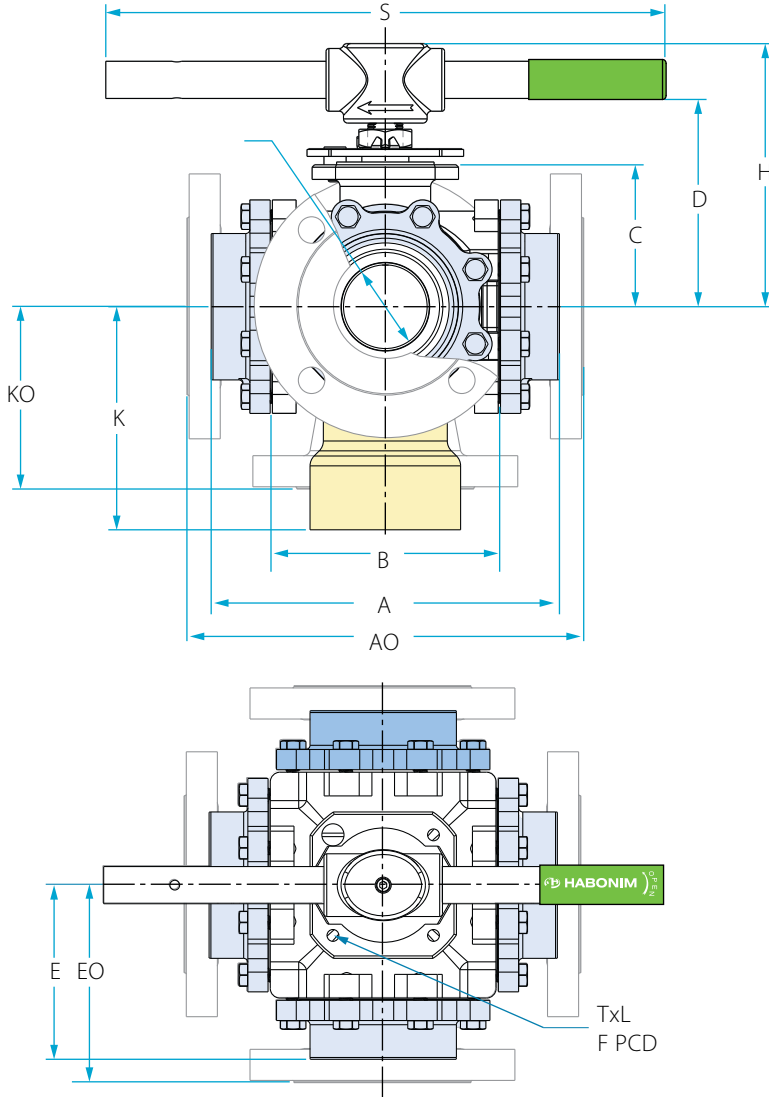
General

Multiport valves selection

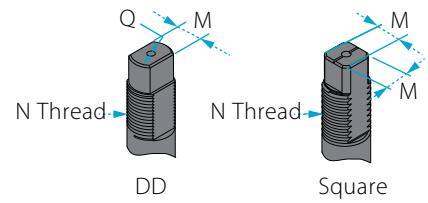
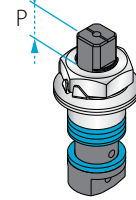
Ordering code system

Size 3"- 4" | DN80-DN100 | Class 300 | 61X/62X, 61P⁽¹⁾/62P⁽¹⁾

Valve dimensions

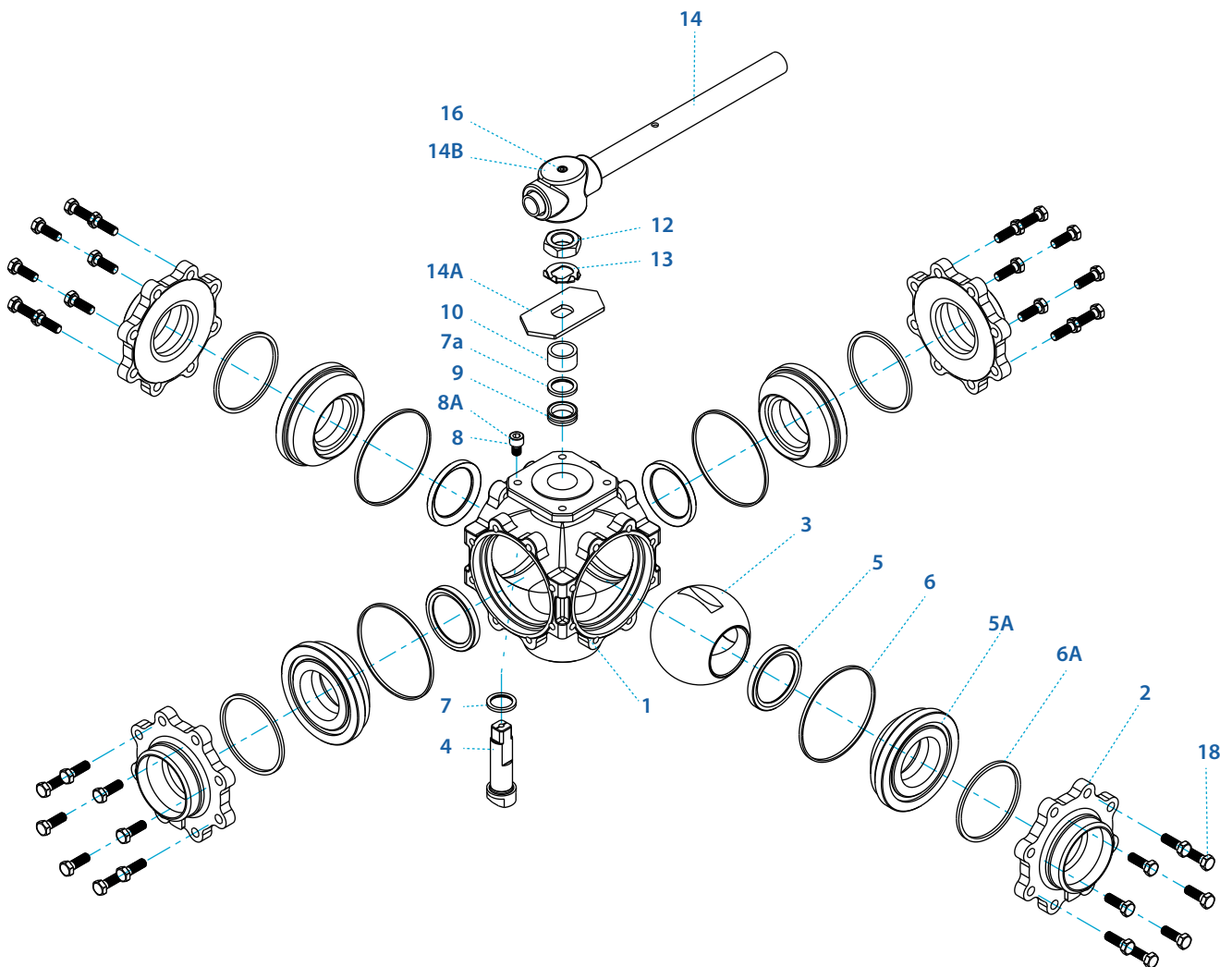


Preparation for actuation



Std. port	Unit	Ball port	A	AO			B	C	D	E (EO)	K	KO	H	M	M-DD	N	P	Q	TxL	F	S	Weight kg/lb
				ANSI 150	ANSI 300	PN16 PN40																
DN80	mm	60.00	250.00	283.90	363.20	390.60	164.00	102.00	149.00	A/2 (AO/2)	149.00	158.00	139.40	18.90	15.90	1"-14	16.60	22.70	M10x20	(F10)	610.00	36.00
3"	Inch	2.36	9.84	11.17	14.29	15.37	6.45	4.01	5.86		5.87	6.22	5.48	0.74	0.62	UNS-2A	0.65	0.89			24.00	52.00
DN100	mm	82.80	309.80	324.80	401.00	446.20	205.00	116.70	168.00	A/2 (AO/2)	190.00	200.00	150.90	18.90	15.90	1"-14	16.60	22.70	M10x20	(F10)	610.00	60.00
4"	inch	3.25	12.19	12.19	15.78	17.56	8.07	4.59	6.61		7.48	7.87	5.94	0.74	0.62	UNS-2A	0.65	0.89			24.00	85.00

Components & materials



Item	Description	Material specification	Qty.
1	Body	A351 CF8M, A216WCB, A105, A351 CN7M, A494 M35-1, A494 CW-12MW, A494 CX-2MW, A351 CK3MCuN, A995 CD3MN 4A, A995 CE3MN 5A	1
2	Ends	A351 CF3M, A216WCB, A105, A351 CN7M, A494 M35-1, A494CW-12MW, A494CX-2MW, A351 CK3MCuN A995 CD3MN 4A A995 CE3MN 5A	4
3	Ball	A351 CF8M, B473 N08020, B164 N04400, B574 N06022, B574 N10276, A479 S31254, A479 S31803, A479 S32750	1
4	Stem	A479316L, A564Gr.630 H1150D17-4PH, B473 N08020, B164 N04400, B574 N06022, B574 N10276, A479 S31254, A479 S31803, A479 S32750	1
5*	Seat	PTFE, RPTFE, CF PTFE, PEEK, CF PEEK, TFM, UHMWPE, VESPEL, PVDF, DELRIN, PCTFE (KEL-F)	4
5A	Support seat	A479 316U B473 N08020, B164 N04400, B574 N06022, B574 N10276, A479 S31254, A479 S31803 A479S32750	4
6	Body seal	PTFE, RPTFE, UHMWPE, Graphite ⁽²⁾	5

Item	Description	Material specification	Qty.
6A	Seal seat	PTFE, RPTFE, UHMWPE, Graphite ⁽²⁾	4
7*	Stem thrust seal	PEEK, CF PEEK, PCTFE (KEL-F), TFM ⁽²⁾ , CF PTFE ⁽²⁾	1
7a**	Anti-abrasion ring	PEEK, CF PEEK, PCTFE (KEL-F), TFM ⁽²⁾ , CF PTFE ⁽²⁾	1
8	Spring Washer	DIN 127 A2	1
8A	Stop Bolts	A193 B8, DIN 912 A2-70	1
9*	Stem seal	CF PTFE, TFM, Graphite ⁽²⁾	1
10	Follower	B783 316U B164 N04400	1
12	Stem nut	EN3506-2 A4-80, A194 Gr 8M	1
13	Tab Lock Washer	DIN 127 A2-70	1
14	Wrench Handle	C.St. Zinc Plate	1
14A	Stop Plate	C.St. 1.0402 Zinc Plate	1
14B	Wrench Head	Ductile Iron A536 Gr 65-45-12	1
16	Wrench Bolt	EN3506-1 A2-70/A4-80, A193 Gr B8/B8M	1
17	Sleeve	PVC	1
18	Body bolt	EN 3506-1 A2-70 / A4-80, A193 Gr B7 zinc-plated, A193 Gr B8M zinc-plated	32
23	Tag (not shown)	A167304	1

⁽¹⁾ 61P/62P Series is Habonim's standard valve design without the HermetiX™ stem seal.

⁽²⁾ This material can only be used as part of the 61P design.

* Repair kit components

** Only with HermetiX™ stem seal

*** Only with graphite body seal

Floating Ball Valves

Multiport

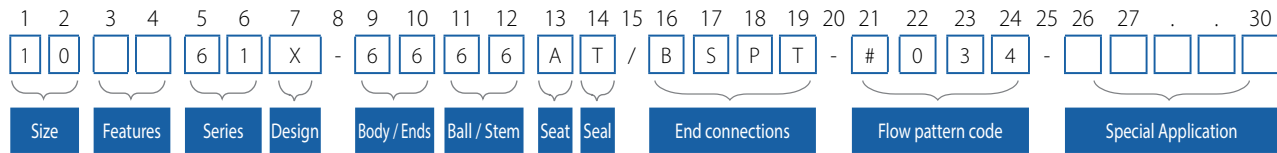
General

Multiport valves
selection

Ordering
code system

Multiport valves ordering code system

The HABONIM Multiport valves identification code



Size		
Code	inch	mm
05	1/2"	15
07	3/4"	20
10	1"	25
12	1 1/4"	32
15	1 1/2"	40
20	2"	50
25	2 1/2"	65
30	3"	80
40	4"	100

Seat	
A	TFM
C	PCTFE (KEL-F)
K	CF PEEK
L	Virgin PEEK
P	CF PTFE
R	15% Glass filled RPTFE
T	PTFE
U	UHMWPE
Y	Derlin
W	PVDF

End Connection	
welded	
BW5	Buttweld schd. 5
BW10	Buttweld schd. 10
BW	Buttweld schd. 40
BW80	Buttweld schd. 80
XBW	Extended buttweld schd. 40
SW	Socket weld
XSW	Extended socket weld
BWO	Buttweld tube OD
ETO	Extended tube OD
SWO	Socket weld tube OD
BWD	Buttweld DIN 11860

Flow pattern code	
See index pages 143-151	

Features	
B	Full bore
O	Clean assembly for O ₂ service
V	Vacuum

Seal	
G	Expended Graphite
I	Impregnated Graphite
R	15% Glass filled RPTFE
T	PTFE
U	UHMWPE

Threaded	
NPT	ANSI B1.20.1 - National Pipe Taper thread
MNPT	Male NPT
BSPT	EN 10226-1 - British Standard Pipe Taper thread
MBSPT	Male BSPT
DIN2999	EN 10226-1 - British Standard Pipe parralel thread
DIN3852	EN 10226-1 - British Standard Pipe parralel thread
AS5202	SAE Internal Straight Thread

Special features	
B	Body made from rolled bar
EP	Electropolished
PN	Ball with LTPN surface treatment
WR	DD stem
G..	Internal surface finish (G24, G32)

Series	
61	Multiport with three horizontal ports
62	Multiport with four horizontal ports

Body / Ends	
4	C. Steel A216 WCB
6	S. Steel A351 CF8M
7	Monel A494 M-35-1
I	Inconel 625 A494 CW-6MC
A	Alloy-20 A351 CN7M
C	Alloy-C276 A494 CW-12MW
W	Alloy-C22 A494 CX-2MW
D	Duplex A995 CD3MN 4A
K	Super Duplex A995 CE3MN 5A
S	254SMO A351 CK3MCuN

Clamp	
LL	Let Lock compression fitting (Imperial)
LM	Let Lock compression fitting (metric)
TC	Tri-Clamp
GR	Grayloc

Valve special stem seals	
HC	High cycle service
ORV	Viton O-ring based
ORB	NBR O-ring based
ORE	EPDM O-ring based
LAX	FDA compliant HermetiX™
PPX	CF PTFE thrust and X shape gasket

Design	
P	ISO pad basic design
X	HermetiX™ stem seal

Ball / Stem	
6	S. Steel A479 316\316L
M	17-4PH A564 Gr 630 H1150D
Z	Inconel 718 B637 N07718
7	Monel B164 N04400
A	Alloy-20 B473 N08020
C	Alloy-C276 B574 N10276
W	Alloy-C22 B574 N06022
D	Duplex A479 S31803
K	Super Duplex A479 S32750
S	254SMO A479 S31254

Flanged	
150	ANSI B16.5 #150 RF
300	ANSI B16.5 #300 RF
600	ANSI B16.5 #600 RF
PN16	EN1092 PN16 RF
PN40	EN1092 PN40 RF
PN64	EN1092 PN64 RF
PN100	EN1092 PN100 RF

In some applications the available options above are limited to specific sizes Please consult with Habonim for details.



www.habonim.com

ISRAEL
Habonim Headquarter
Tel: +972-4-6914911
Fax: +972-4-6914935
sales_international@habonim.com

UK
Habonim UK
Tel: +44-1633-484554
Fax: +44-1633-482252
sales_uk@habonim.com

USA
Habonim USA
Toll Free Phone: 1-866-261-8400
Toll Free Fax: 1-866-243-9959
sales_usa@habonim.com

China
Habonim China
Tel: + 86 21 64453190 *146
Fax: + 86 21 64453191
sales_china@habonim.com

Australia
Habonim Australia
Tel: +61 3 9556 5428
sales_au@habonimau.com



www.habonim.com

Multiport 01/16

MAXMARK

