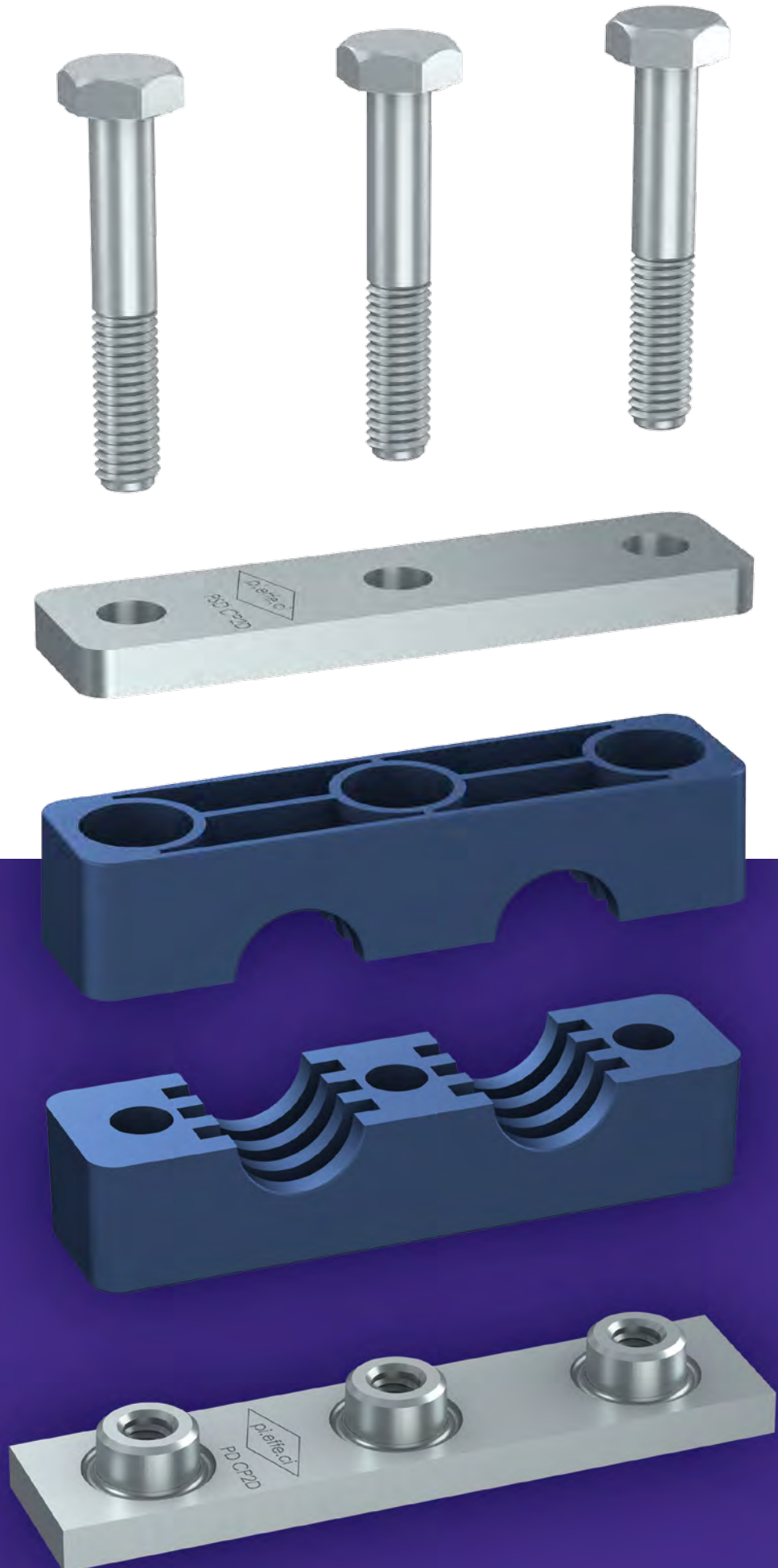


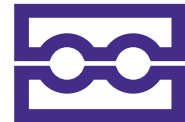


PIPE CLAMPS **HEAVY SERIES TWIN DESIGN**
Order Codes and Dimensions (mm/in)

PIPE CLAMPS
HEAVY SERIES TWIN DESIGN

74





PIPE CLAMPS HEAVY SERIES TWIN DESIGN

75

CLAMP BODY STANDARD MATERIALS



Polypropylene
Colour **Blue**
Code **PP**

**OTHER COLOURS
AVAILABLE ON DEMAND!**



Polyamide
Colour **Black**
Code **PA**



Self-extinguishing Polypropylene
Colour **White**
Code **AU**

DIFFERENT DAMETERS AND MATERIALS AVAILABLE ON REQUEST.

ON REQUEST, ANY CLAMP BODY CAN BE SUPPLIED
WITH TWO DIFFERENT DIAMETERS.

Clamp body internal surface:
profiled

For Material Characteristics, see Technical Appendix (page 143).

COMPONENTS AND ACCESSORIES STANDARD MATERIALS

Carbon Steel S 275 JR with finishing surface in white zinc-coated
Fe Zn c8 II.

Untreated are available on request.

Stainless Steel Inox 316L (X2 CrNiMo 17-12-2) 1.4404
marked with X identification code.

The **BBP** track is treated with zinc-coating Fe Zn c8 II.

Metric thread: code **M**
UNC thread: code **UNC**.

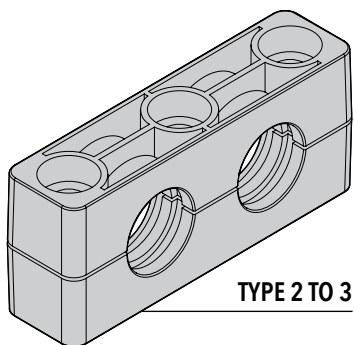
For Material Characteristics, see Technical Appendix (page 143).





CP D CLAMP BODY

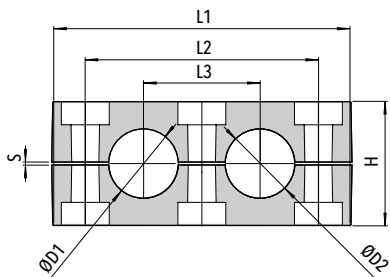
TWO CLAMP HALVES



TYPE 2 TO 3

76

Code CP D (Material PP - PA - AU)



ORDER CODE

CLAMP BODY CODE	OUTSIDE DIAMETER (mm)	MATERIAL
-----------------	-----------------------	----------

EXAMPLE

Clamp body type: 2
Material: PP
Outside diameter: 15 mm
Order code: **CP2 D - 22- PP**

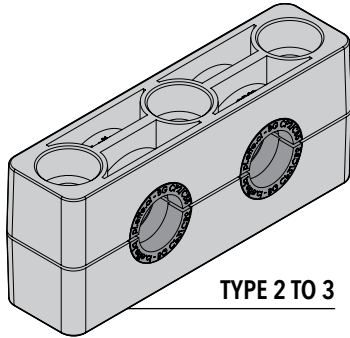
Code	Outside Diameter ØD		L1	L2	L3	H	S	Width
	mm	nominal bore pipe in						
	19	3/4"						
	20							
	21,3	1/2"						
CP2 D			115 (4.53")	90 (3.54")	45 (1.77")	48 (1.89")	1 (.04")	30 (1.18")
	22	7/8"						
	25,4	1"						
	26,9	3/4"						
	32	1.1/4"						
	33,7	1"						
CP3 D	38	1.1/2"	145 (5.71")	120 (4.72")	60 (2.36")	60 (2.36")	1,2 (.05")	30 (1.18")
	40							
	42,4	1.1/4"						



CPD B CLAMP BODY

WITH RUBBER BUSHING

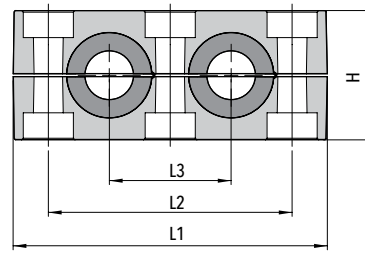
TWO CLAMP HALVES



TYPE 2 TO 3

ORDER EXAMPLE

CP2 DB - PP



Code	L1	L2	L3	H	S	Width
------	----	----	----	---	---	-------

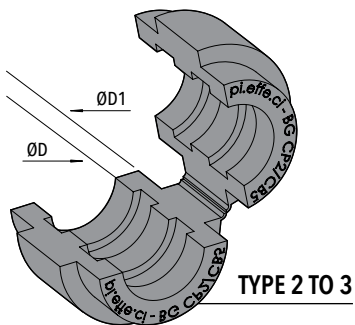
CP2 DB	115 (4.53")	90 (3.54")	45 (1.77")	48 (1.89")	1 (.04")	30 (1.18")
--------	----------------	---------------	---------------	---------------	-------------	---------------

CP3 DB	145 (5.71")	120 (4.72")	60 (2.36")	60 (2.36")	1,2 (.05")	30 (1.18")
--------	----------------	----------------	---------------	---------------	---------------	---------------

Code CPD B (Material PP - PA - AU)

PIPE CLAMPS
HEAVY SERIES TWIN DESIGN

BG RUBBER BUSHING



TYPE 2 TO 3

Code BG (Material GM)

ORDER EXAMPLE

BG CP2 B - 15

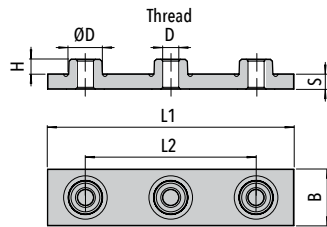
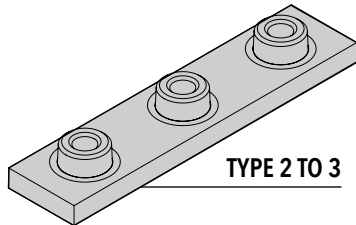
Code	Outside Diameter ØD		ØD1	Width
	mm	nominal bore pipe in		

	6			
	8	5/16"		
	10	1/8"		
	12			
	12,7	1/2"		
BG CP2	14		25 (.98")	30 (1.18")
	15			
	16	5/8"		
	17,2	3/8"		
	18			
	19	3/4"		

	20			
	21,3	1/2"		
	22	7/8"		
BG CP3	25		38 (1.50")	30 (1.18")
	26,9	3/4"		
	28			
	30			
	32	1.1/4"		



PD CP WELD PLATE



Code PD CPD (Carbon Steel S 275 JR)
Code XPD CPD (Stainless Steel AISI 316L).

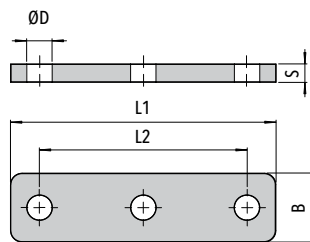
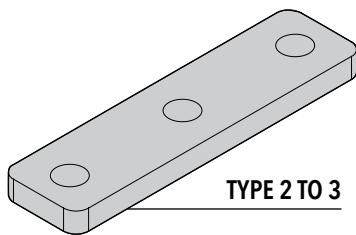
Code	Thread D	L1	L2	B	S	H	ØD
------	----------	----	----	---	---	---	----

PD CP2D XPD CP2D	M10 (3/8-16 UNC)	130 (5.12")	90 (3.54")	30 (1.18")	8 (.31")	8 (.31")	18 (.71")
---------------------	---------------------	----------------	---------------	---------------	-------------	-------------	--------------

PD CP3D XPD CP3D	M10 (3/8-16 UNC)	160 (6.30")	120 (4.72")	30 (1.18")	8 (.31")	8 (.31")	18 (.71")
---------------------	---------------------	----------------	----------------	---------------	-------------	-------------	--------------

78

PSD CP UPPER PLATE



Code PSD CPD (Carbon Steel S 275 JR)
Code XPSD CPD (Stainless Steel AISI 316L).

Code	L1	L2	B	S	ØD
------	----	----	---	---	----

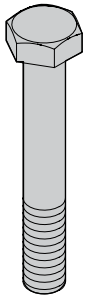
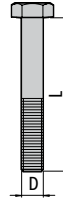
PSD CP2D XPSD CP2D	115 (4.53")	90 (3.54")	30 (1.18")	8 (.31")	11 (.43")
-----------------------	----------------	---------------	---------------	-------------	--------------

PSD CP3D XPSD CP3D	145 (5.71")	120 (4.72")	30 (1.18")	8 (.31")	11 (.43")
-----------------------	----------------	----------------	---------------	-------------	--------------



TE CP HEXAGON HEAD BOLT

ISO 4014 / 4017



Code **TE CP** (Steel 8.8)
 Code **XTE CP** (Stainless Steel A4)

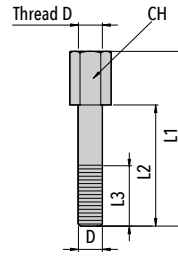
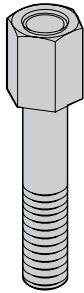
Code	Thread (D x L)
TE CP2 XTE CP2	M10x60 (3/8-16 UNC x 2-1/4")
TE CP3 XTE CP3	M10x70 (3/8-16 UNC x 2-3/4")

HEAVY SERIES TWIN DESIGN
 PIPE CLAMPS



VA CP HIGH HEXAGON HEAD BOLT

FOR STACKED CLAMPS



Code	Thread D	L1	L2	L3	CH
------	----------	----	----	----	----

VA CP2 XVACP2	M10 (3/8-16 UNC)	65 (2.56")	40 (1.57")	18 (.71")	15 (.59")
--------------------------------	---------------------	---------------	---------------	--------------	--------------

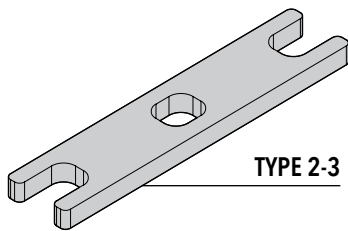
VA CP3 XVA CP3	M10 (3/8-16 UNC)	77 (3.03")	51 (2.01")	18 (.71")	15 (.59")
---------------------------------	---------------------	---------------	---------------	--------------	--------------

Code **VA CP** (Carbon Steel S 235 JR)
Code **XVA CP** (Stainless Steel AISI 316L)

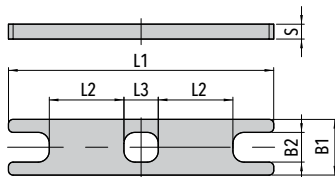
80

PB CPD LOCKING PLATE

FOR STACKED CLAMPS



TYPE 2-3



Code	L1	L2	L3	B1	B2	S
------	----	----	----	----	----	---

PB CP2D XPB CP2D	114 (4.49")	26 (1.02")	18,5 (.73")	30 (1.18")	16 (.63")	8 (.31")
-----------------------------------	----------------	---------------	----------------	---------------	--------------	-------------

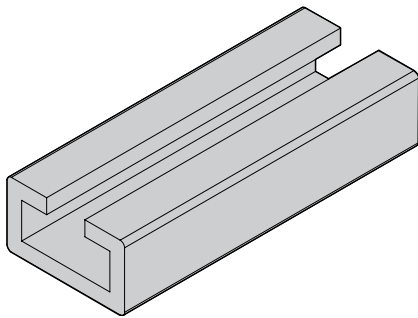
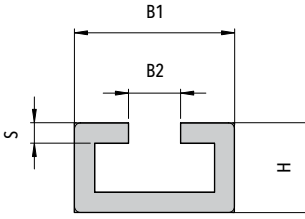
PB CP3D XPB CP3D	143 (5.63")	40 (1.57")	18,5 (.73")	30 (1.18")	16 (.63")	8 (.31")
-----------------------------------	----------------	---------------	----------------	---------------	--------------	-------------

Code **PB CPD** (Carbon Steel S 275 JR)
Code **XPB CPD** (Stainless Steel AISI 316L).



BB P MOUNTING HEAVY RAIL

AVAILABLE LENGTHS 1 m / 2 m



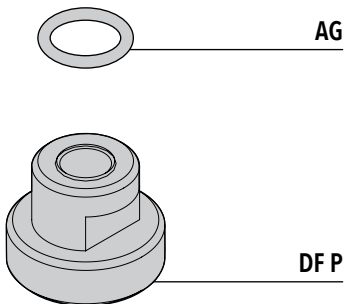
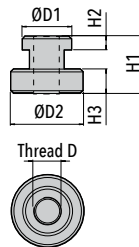
Code	B1	B2	H	S
BB P XBB P	40 (1.57")	13 (.51")	22 (.86")	5 (.19")

Code BB P (Carbon Steel S 235 JR)
Code XBB P (Stainless Steel AISI 316L)

HEAVY SERIES TWIN DESIGN
PIPE CLAMPS

DF P+AG RAIL NUT WITH RUBBER RING

FOR MOUNTING HEAVY RAIL



Code	ØD1	ØD2	H1	H2	H3	Thread D	AG
DF P XDF P + AG	17,7 (.70")	22 (.87")	21 (.83")	6,6 (.26")	7,4 (.29")	M10 (3/8-16 UNC)	15x2,62 (.59"x.10")

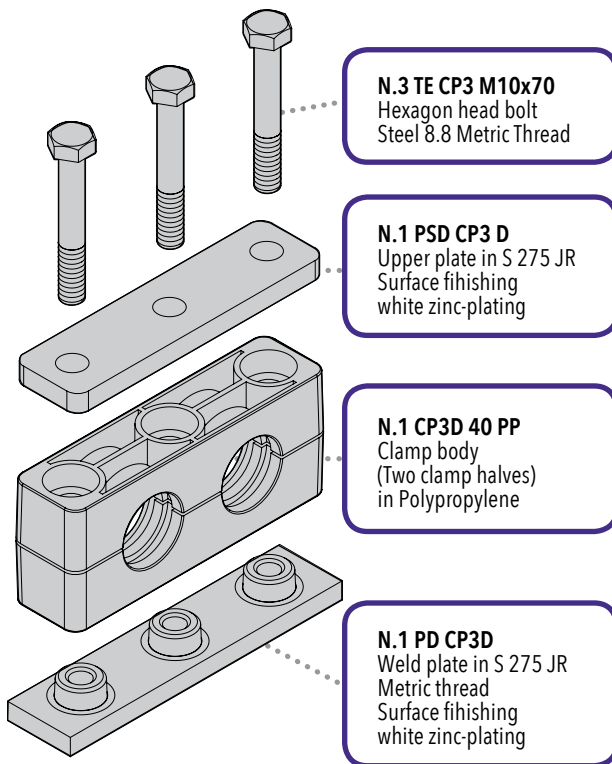
Code DF P (Acciaio S 235 JR)
Code XDF P (Acciaio Inox AISI 316L)

81



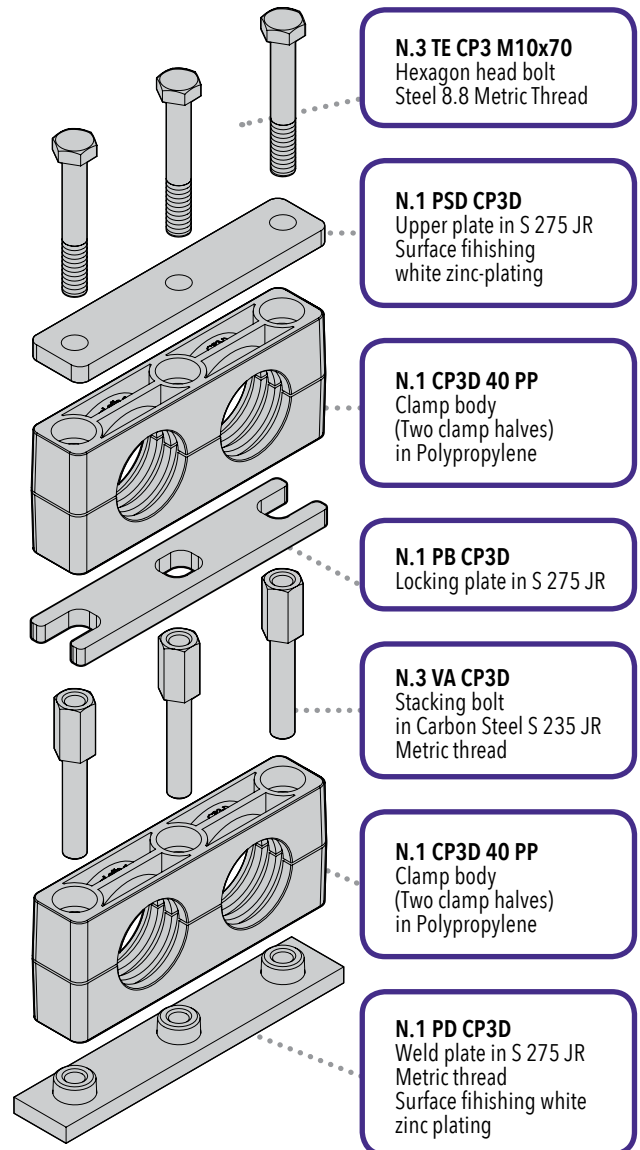
MOUNTING EXAMPLE 01

Mounting Example of complete clamp CP3-D in Polypropylene for pipe with outside diameter of 40 mm with single weld plate and upper plate.



MOUNTING EXAMPLE 02

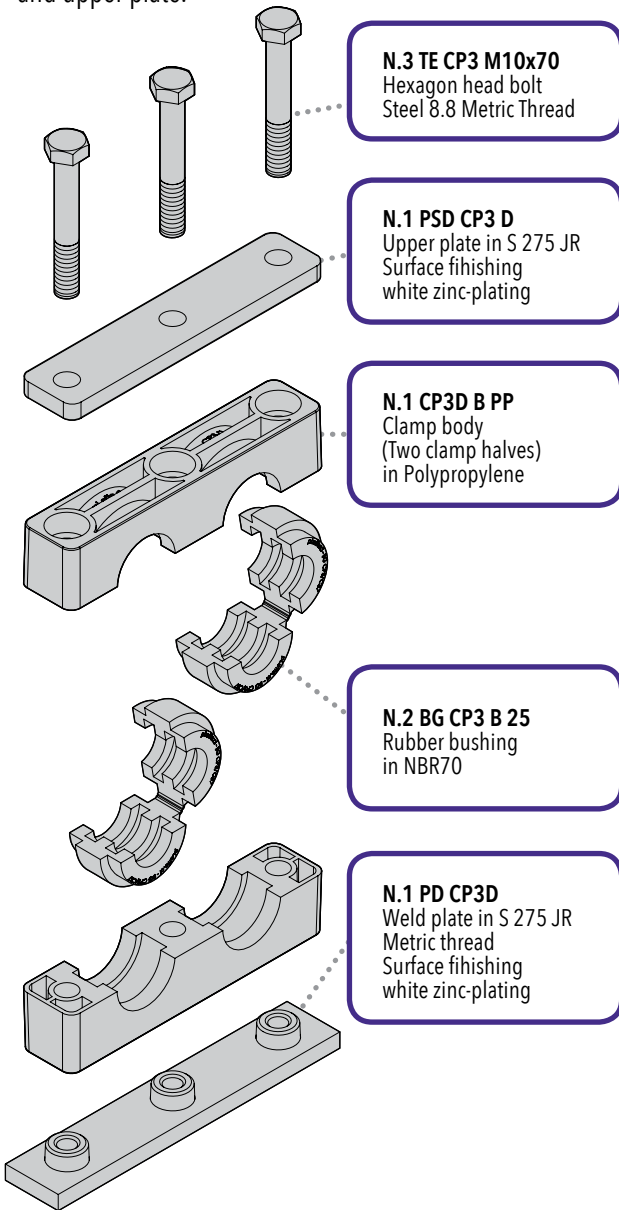
Mounting Example of complete stacked clamp CP3 D in Polypropylene for pipe with outside diameter of 40 mm with single weld plate and upper plate.





MOUNTING EXAMPLE 03

Mounting Example of complete clamp CP3D-B in Polypropylene with rubber bushing for pipe with outside diameter of 25 mm, with single weld plate and upper plate.



N.3 TE CP3 M10x70
Hexagon head bolt
Steel 8.8 Metric Thread

N.1 PSD CP3 D
Upper plate in S 275 JR
Surface finishing
white zinc-plating

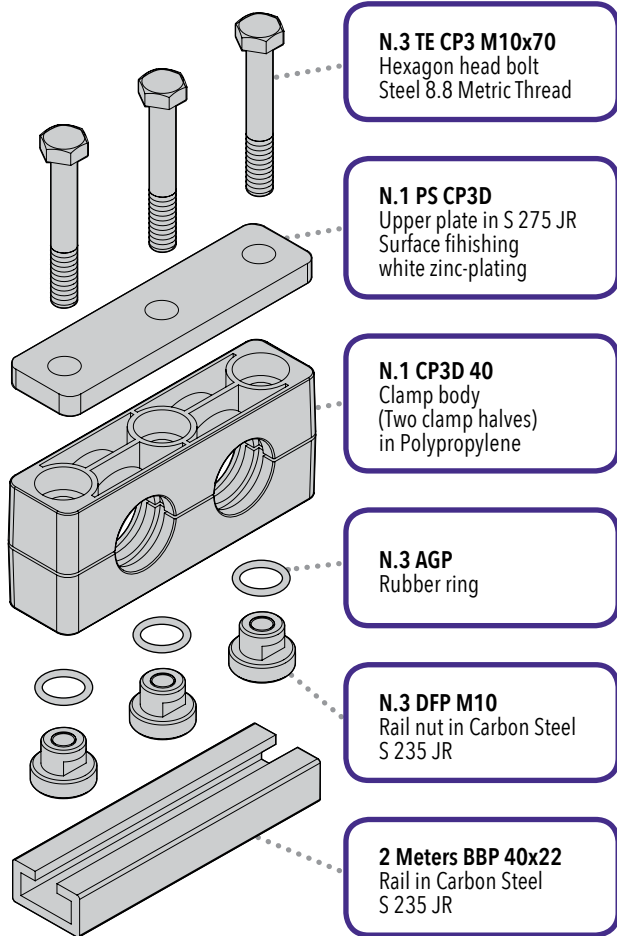
N.1 CP3D B PP
Clamp body
(Two clamp halves)
in Polypropylene

N.2 BG CP3 B 25
Rubber bushing
in NBR70

N.1 PD CP3D
Weld plate in S 275 JR
Metric thread
Surface finishing
white zinc-plating

MOUNTING EXAMPLE 04

Mounting Example of complete clamp CP3-D in Polypropylene for pipe with outside diameter of 40 mm, mounting rail nut.



N.3 TE CP3 M10x70
Hexagon head bolt
Steel 8.8 Metric Thread

N.1 PS CP3D
Upper plate in S 275 JR
Surface finishing
white zinc-plating

N.1 CP3D 40
Clamp body
(Two clamp halves)
in Polypropylene

N.3 AGP
Rubber ring

N.3 DFP M10
Rail nut in Carbon Steel
S 235 JR

2 Meters BBP 40x22
Rail in Carbon Steel
S 235 JR