

Pneumatic actuator



Actuation

Pneumatic actuator

General

COMPACT™
actuator

ESD system

Mounting kits

Ordering
code system

Introduction

Proven advantage

The COMPACT actuator is a quarter-turn rack & pinion pneumatic actuator that doubles the torque of standard pneumatic actuators. The superior performance is achieved by Habonim's patented four piston design, which generates torque around a centrally located piston. This translates into double the power for the same size actuator or half the size for the same amount of power.



Space saving, fast acting

The COMPACT has four small cylinders, each located on one of the four sides of the cube. The smaller pinion and shorter travel distance of the pistons in the COMPACT require less air pressure than a larger double-piston actuator to produce the same torque output. The end result is faster response times for emergency shutdown, lower air pressure for operation and reduced maintenance.

Technical summary

Pressure range	20-120 PSI (1.5 - 8 bar) for Double Acting (DA) actuators 30-120 PSI (2- 8 bar) for Spring Return (SR) actuators
Size range	C15, C20, C25, C30, C30M, C35, C35M, C45, C45M, C60, C60M, C75, C75M
Operating temperature	NBR -20 °C to 80 °C (-4 °F to 176 °F) Viton -20 °C to 120 °C (-4 °F to 250 °F) EPDM -40 °C to 80 °C (-40 °F to 176 °F) NBR FX428 -53 °C to 100 °C (-63 °F to 213 °F)
Compressed gas	Air, Nitrogen, CO ₂ , Natural gas (sweet)

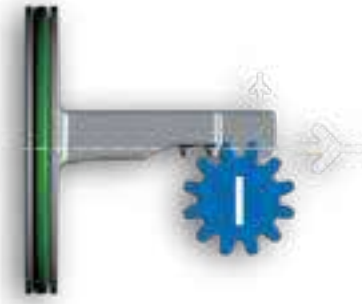
Standards of compliance

Factory certification	ISO 9001:2015	Quality management system
Actuator design	ISO 5211:2017 VDI/VDE 3845:2010 (NAMUR)	Industrial valves - part-turn actuator attachments Industrial process control - pneumatic control valves - Interfaces of valves and auxiliary equipment
Certifications	ATEX 2014/34/EU DNV IEC 61508-2/3:2010 SIL2/3	Equipment and protective systems intended for use in potentially explosive atmospheres Rules of classification of ships 'Det Norske Veritas' offshore standards Safety integrity level - functional safety of electrical/ electronic/programmable electronic safety-related systems (optional for actuated unit only)
Documentation	EN 10204:2004 2.2/3.1/3.2	Metallic materials - types of inspection documents

Main pneumatic actuator features

Balanced forces

The cube-shaped configuration positions the pistons in a way that allows each piston to develop thrust along its own axis with zero side load. This efficient design eliminates the use of guide rods and thrust bearings. The result is less stress on the seals than off-axis piston thrust, which is caused by the piston side loading that is inherent in the geometry of traditional actuator configurations.



Less wear

The COMPACT's unique 4-piston design achieves a more uniform load distribution than standard single- or double-piston actuators, therefore greatly reducing the wear on gears at the points of contact between rack and pinion. The force-balanced, shorter-stroke piston prevents uneven wear of O-rings, gears and pistons. This design eliminates the need for bearings and guiding rods and reduces the number of soft parts, thereby resulting in longer maintenance schedules and lower cost of repair kits. The surface of the four cylinders is hardened by an anodizing treatment, which protects their high surface finish.

Superior corrosion resistance

The body and covers are anodized internally and externally to protect against corrosive atmospheres tested to more than 336 hours of life in a salt spray bath. An external epoxy base layer and a second layer of polyurethane paint provide additional protection against aggressive environments. Optional: Electroless-Nickel (EN) coating of body, covers and pistons.

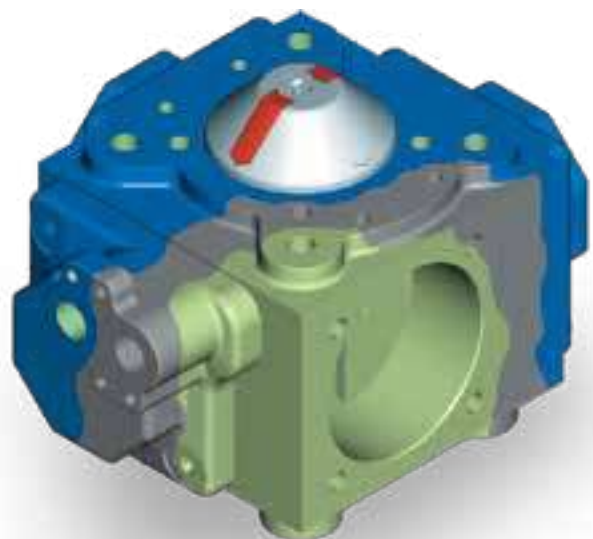
Less air consumption

Fast action is one of the most attractive features of the COMPACT 4-piston actuator. The distinctive four-piston design allows for a smaller diameter actuator pinion that significantly shortens piston travel and response time.



Fast action

Fast action is one of the most attractive features offered by the COMPACT 4-piston actuator. The unique four-piston design allows for a smaller diameter actuator pinion that significantly shortens piston travel, resulting in a shorter response time.



Actuation

Pneumatic actuator

General

COMPACT™
actuator

ESD system

Mounting kits

Ordering
code system

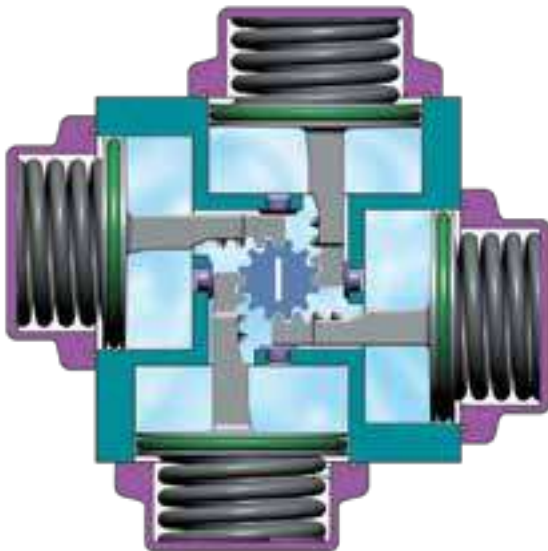
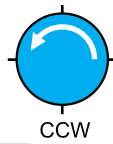
Spring return and double acting configurations

The COMPACT can be configured for either spring return or double-action operation. In both cases the air supply to drive the pistons flows into Port A of the NAMUR cover. Port A is connected to the center chamber, and Port B is connected to the four outside chambers.

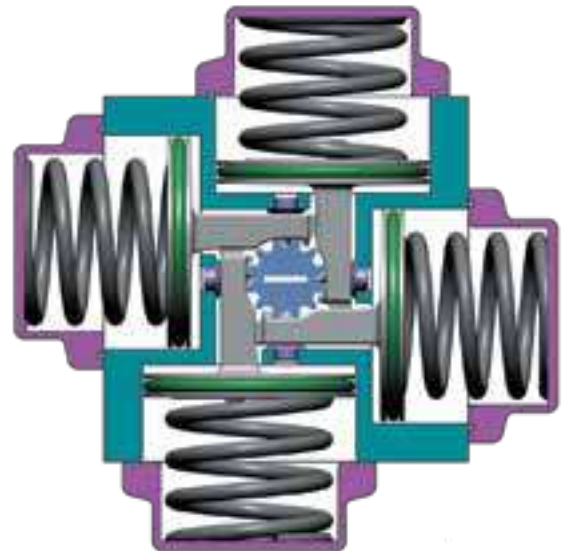
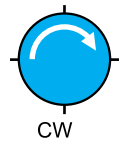


Spring return (fail-safe)

Pressure entering Port A to open:
Center chamber is pressurized and pistons
move outward
Springs are compressed
Pinion rotates counterclockwise

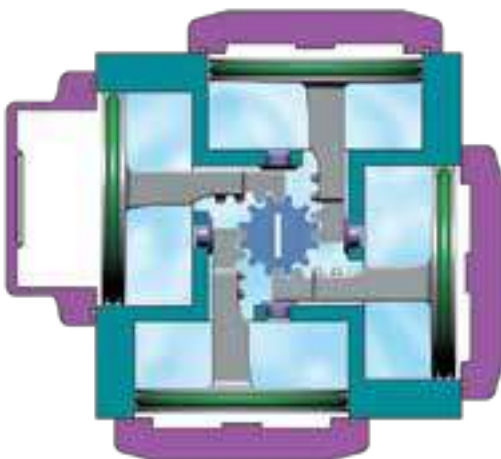
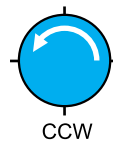


Pressure exiting Port A to close:
Air released from center chamber
Springs drive pistons inward
Pinion rotates clockwise

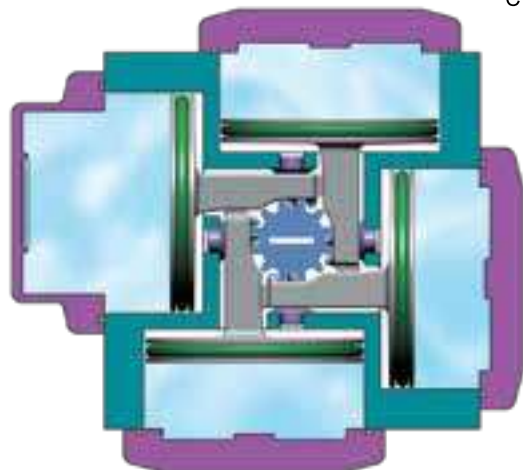
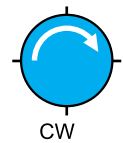


Double action (increased torque)

Pressure entering Port A to open:
Center chamber is pressurized
Pistons move outward
Pinion rotates counterclockwise



Pressure entering Port B to close:
Outside chambers are pressurized
Pistons move inward
Pinion rotates clockwise



Main pneumatic actuator components

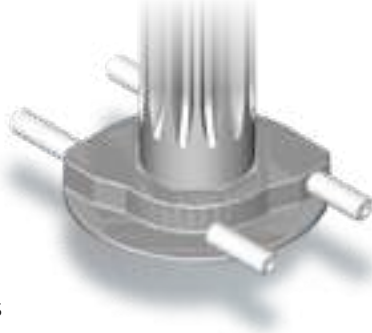
Pinion

The pinion has a double-square female drive on its bottom plane that complies with ISO 5211 standard. The top plane has the NAMUR slot for attachment to switches or positioners. There is a machined flat below the NAMUR interface to enable manual operation of the actuator with a wrench. The pinion is made from carbon steel with Electroless-Nickel (EN) plating that results in a hard-wearing surface with added protection against corrosive environments.



Limit stop

The pinion and stop rotation can be adjusted by four large-diameter, diametrically-opposed adjustable set-screws that are threaded into the actuator body. Each opposing pair of screws exerts simultaneous and equal force on opposite sides of the stop when the rotation limit is reached, thus preventing the generation of off-center forces. The stop screws allow for +/-5° rotation adjustment in both directions of travel. Larger span can be achieved with a longer set of stop screws. This feature is built into the actuator stop mechanism and eliminates the need for additional plates and screws. The stop material is stainless steel for better wear and corrosion resistance.



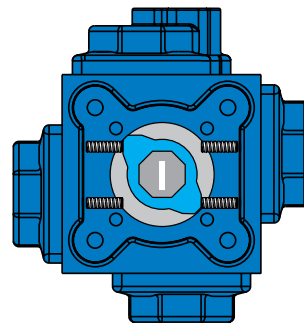
Indicator & puck

A highly visible indicator with flow direction arrows is snapped on to the pinion, to provide easy identification of the valve position. These indicator arrows allow true positioning of any type of valve porting. The modular design makes it easy to change the indicator to match various flow pattern.

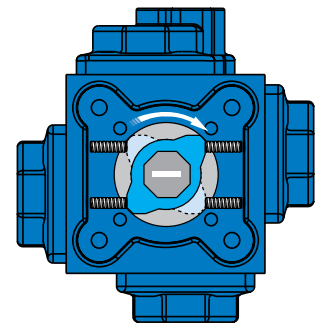


Safety features

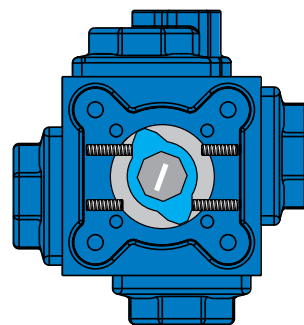
The COMPACT's built-in safety features ensure secure and safe operation. Assembly and dismantling of the actuator are simple tasks. Long cover-bolts for spring return actuators relieve the spring load before they disengage from their threads. Before the pistons can be removed, the stop screw must be released and the pinion removed thus ensuring that any trapped and potentially hazardous pressure in the body will escape.



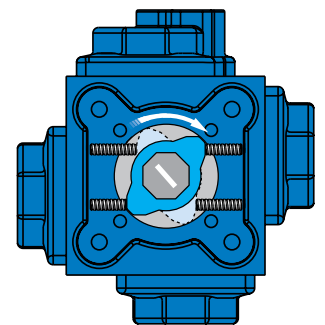
Close



Open



Partially closed



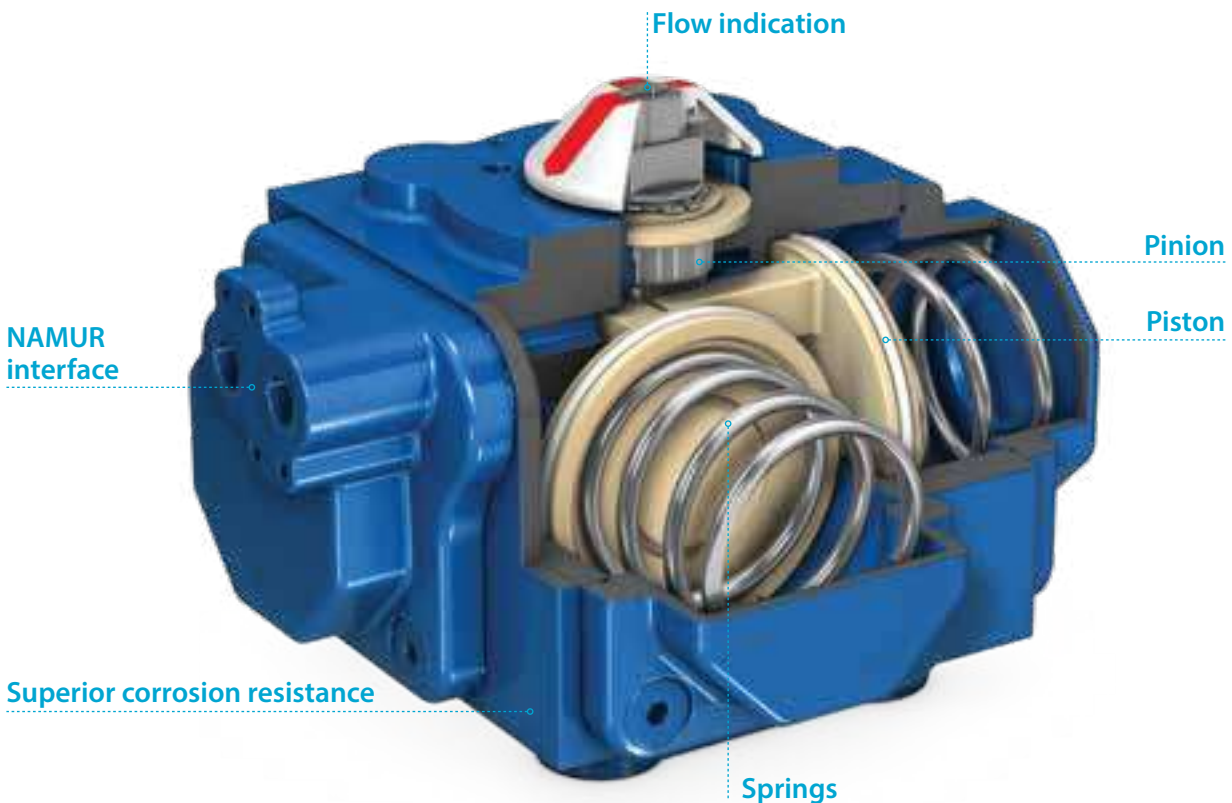
Partially open

Nested springs

The COMPACT can be used with up to three different spring sizes for the spring that, in each of the four cylinders, is nested between the cover and the piston and aligned by a centering ring. Each spring is wound in the opposite direction to its neighbor to avoid entanglement. All the springs act at the piston center axis so that no side load will occur if one spring fails to operate. By virtue of the four-cylinder design, there are many more spring combination possibilities than with double piston actuators, providing superior solutions for any air supply pressure required. Special painting of the springs provides higher corrosion resistance to the environment, resulting in more than 250 hours of life in a salt spray bath.


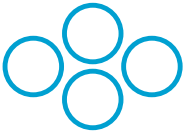
Spring cartridge


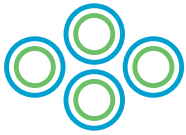
Using a modified spring set in a cartridge improves the torque characteristics of the COMPACT actuator. A spring cartridge is available only in the C30M, C35M, C45M, C60M and C75M actuators. Modifications include deeper covers to allow sufficient volume for the spring cartridge, thereby increasing the overall dimensions of the actuator. The spring cartridge is comprised of a shaped tube in which the extended springs have been preloaded and are held safely in place by two rigid discs. Changing a spring set configuration in this design requires changing the complete cartridge.

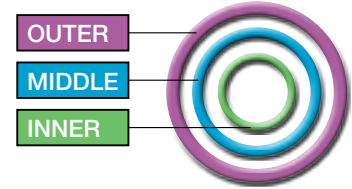


Spring combinations


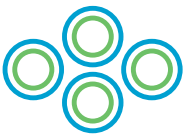

C15 only

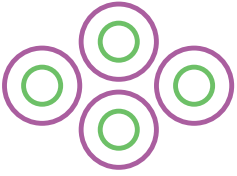
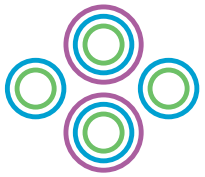
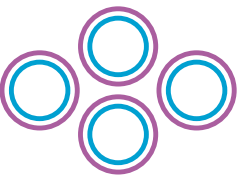
Code	Spring combinations
1A	
1B	

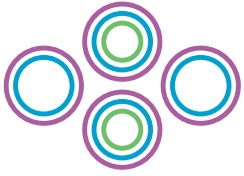
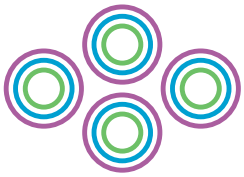
Code	Spring combinations
1B2	
2	



C20-C75M

Code	Spring combinations
2AB	
2A	
2A2B	

Code	Spring combinations
2B	
2A3	
2C	

Code	Spring combinations
2C3	
3	

Sizing a spring return actuator requires that the torque output at the start and end of both the spring and air drive strokes is greater than the valve torque at that position.

Pneumatic actuator

General

COMPACT™
actuator

ESD system

Mounting kits

Ordering
code system

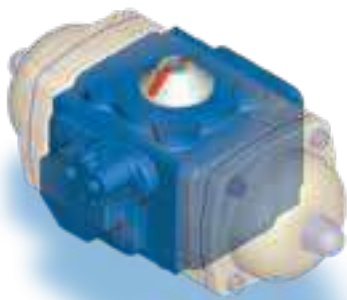


NAMUR output drive for limit switches and positioners

Springs painted for protection and fitted coaxially in a chamber. Various spring combinations are available to suit varying air pressure requirements



NAMUR VDI/VDE 3845 connection to limit switches



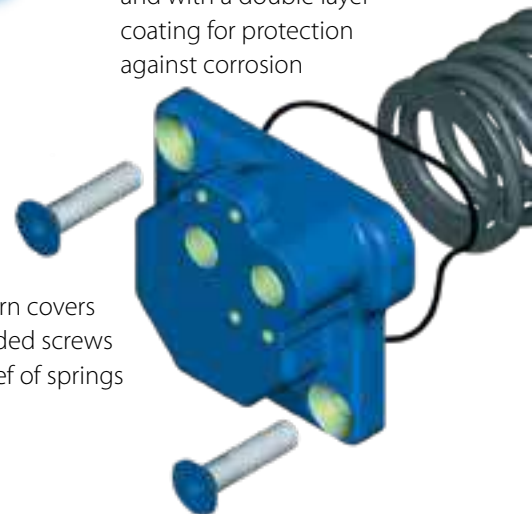
Smaller in the overall size compared to double piston actuators



Rugged body construction, anodized and with a double layer coating for protection against corrosion

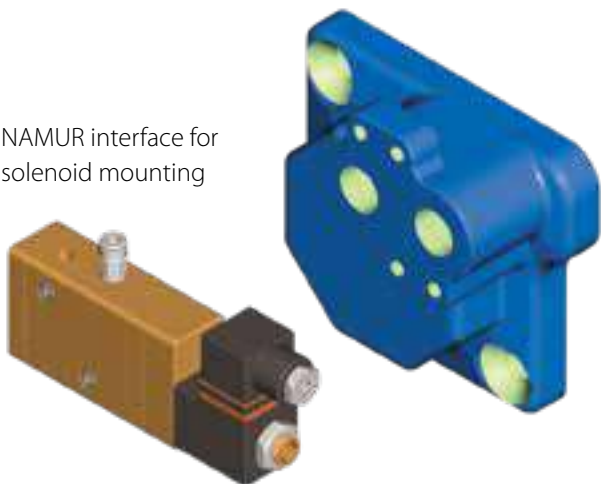


Spring cartridge: The modified spring set design improves the torque characteristics of the COMPACT actuator

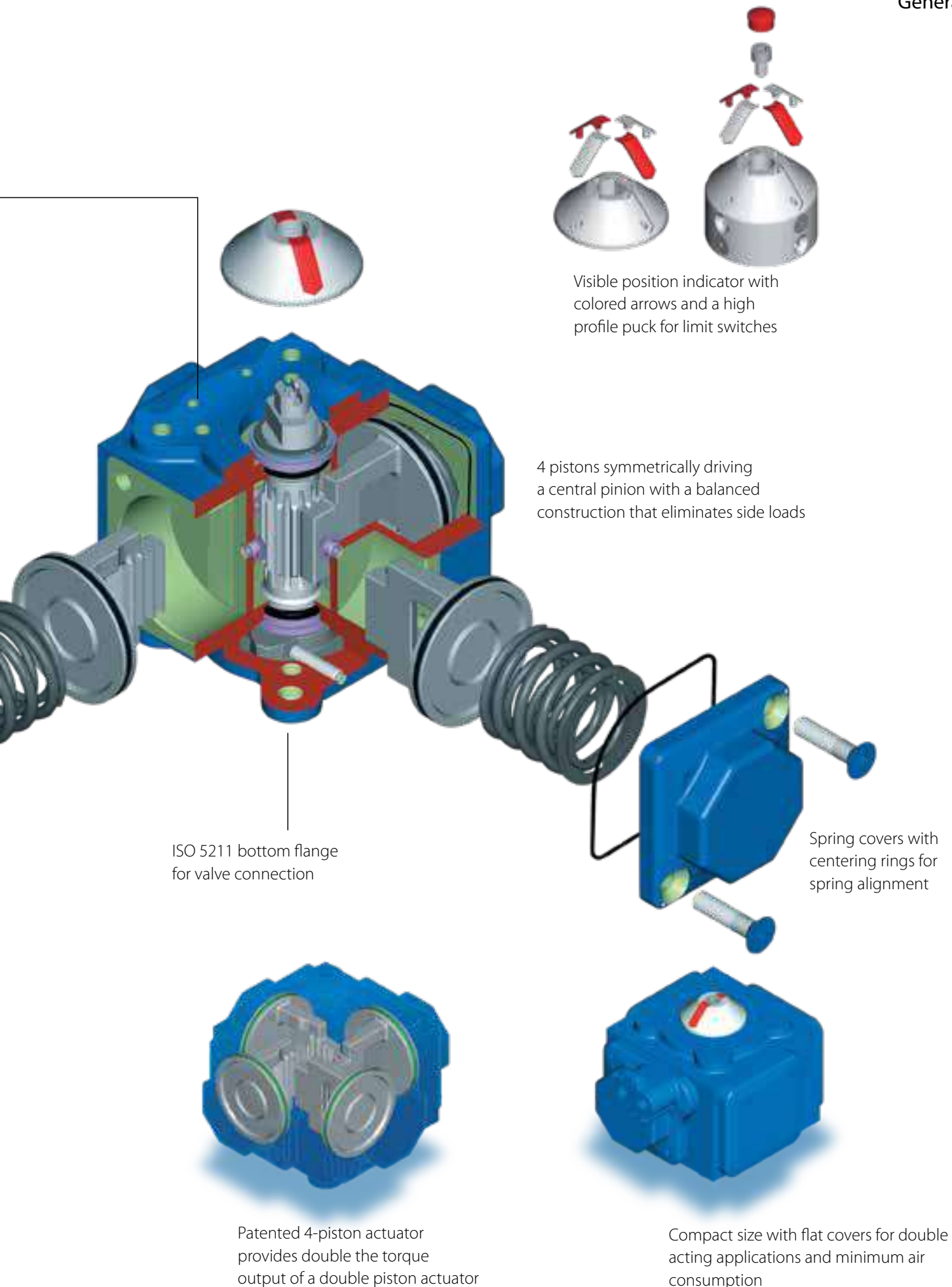


Spring return covers with extended screws for safe relief of springs

NAMUR interface for solenoid mounting



Limit stop for open-close and intermediate positions



Visible position indicator with colored arrows and a high profile puck for limit switches

4 pistons symmetrically driving a central pinion with a balanced construction that eliminates side loads

ISO 5211 bottom flange for valve connection

Spring covers with centering rings for spring alignment

Patented 4-piston actuator provides double the torque output of a double piston actuator

Compact size with flat covers for double acting applications and minimum air consumption

Pneumatic actuator

General

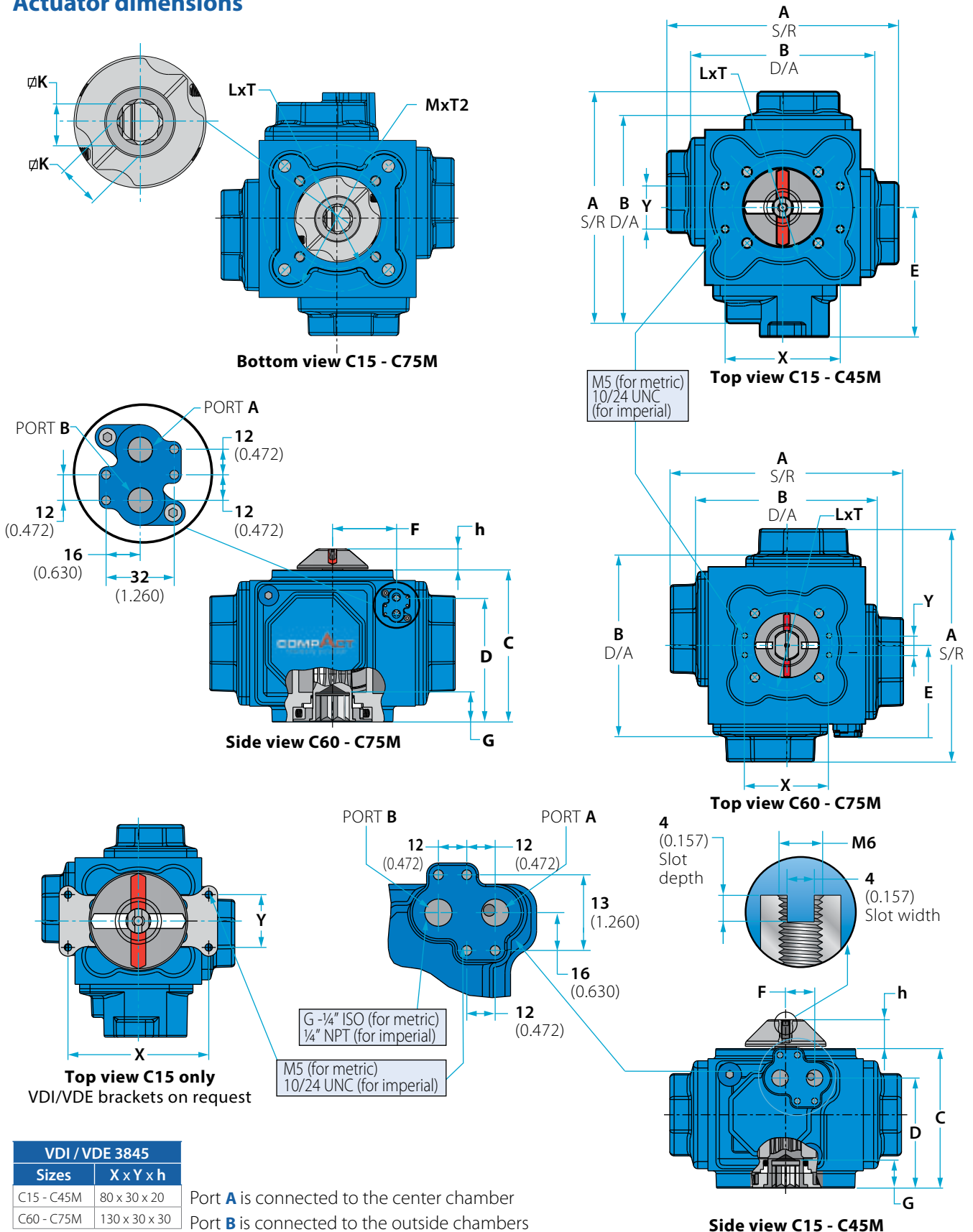
COMPACT™
actuator

ESD system

Mounting kits

Ordering
code system

Actuator dimensions



VDI / VDE 3845	
Sizes	X x Y x h
C15 - C45M	80 x 30 x 20
C60 - C75M	130 x 30 x 30

Port **A** is connected to the center chamber
 Port **B** is connected to the outside chambers

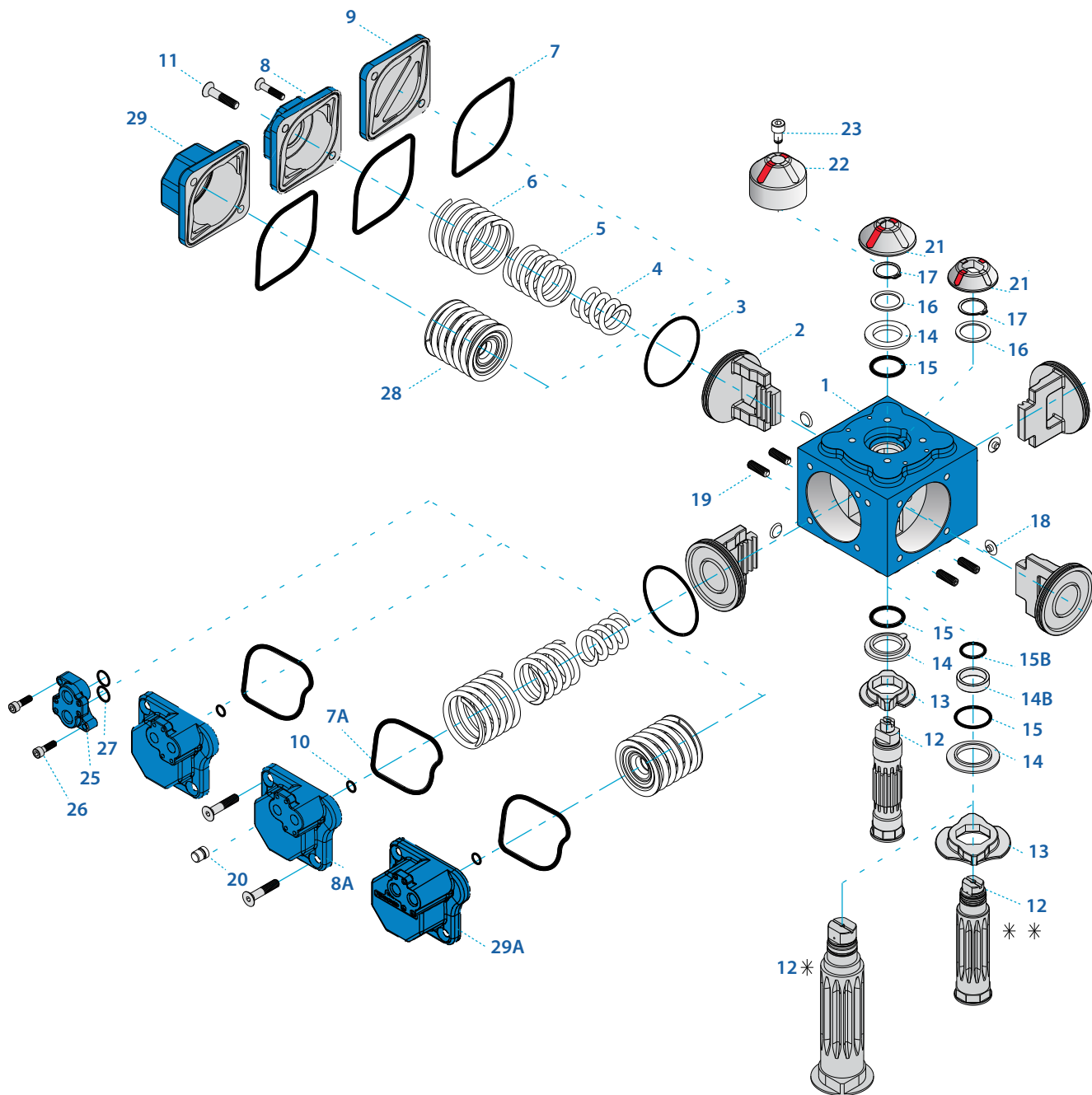
Size	A S/R		B D/A		B1 D/A		C		D		E		F		G		∅k		L PCD		T Thread		M PCD (2)		T2	
	mm	inch	mm	inch	mm	inch	mm	inch	mm	inch	mm	inch	mm	inch	mm	inch	mm	inch	mm	inch	mm	inch	mm	inch	mm	inch
C15	110	4.31	86	3.39	97.8	3.85	68.8	2.71	50.8	2.00	66.0	2.60	16.0	0.63	13.5	0.53	9	0.35	50 (F05)	1.97 (F05)	M6x8	1/4"X0.314	-	-	-	-
C20	131	5.17	102	4.03	117.0	4.60	80.5	3.17	61.5	2.42	77.2	3.04	16.5	0.65	15.0	0.59	11	0.43	50 (F05)	1.97 (F05)	M6x8	1/4"X0.314	70 (F07)	2.76 (F07)	M8x11	5/16"X0.43
C25	161	6.34	132	5.24	147.0	5.79	97.0	3.82	76.5	3.01	90.0	3.54	20.0	0.79	19.5	0.77	14	0.55	70 (F07)	2.76 (F07)	M8x9	5/16"X0.354	102 (F10)	4.02 (F10)	M10X11	3/8"X0.43
C30	186	7.33	151	5.94	169.0	6.64	116.0	4.58	93.4	3.68	105.0	4.15	22.3	0.88	22.0	0.87	17	0.67	70 (F07)	2.76 (F07)	M8x11	5/16"X0.43	102 (F10)	4.02 (F10)	M10X12	3/8"X0.47
C30M	216	8.50	-	-	-	-	116.0	4.58	93.4	3.68	120.0	4.72	22.3	0.88	22.0	0.87	17	0.67	70 (F07)	2.76 (F07)	M8x11	5/16"X0.43	102 (F10)	4.02 (F10)	M10X12	3/8"X0.47
C35	222	8.74	182	7.15	202.0	7.94	135.0	5.31	102.0	4.02	114.0	4.48	22.5	0.89	26.0	1.02	22	0.87	102 (F10)	4.02 (F10)	M10x13	3/8"X0.51	-	-	-	-
C35M	256	10.07	-	-	-	-	135.0	5.31	102.0	4.02	131.0	5.15	22.5	0.89	26.0	1.02	22	0.87	102 (F10)	4.02 (F10)	M10x13	3/8"X0.51	-	-	-	-
C45	269	10.59	221	8.70	245.0	9.65	164.0	6.46	127.0	5.00	147.0	5.79	31.0	1.22	33.0	1.30	27	1.06	125 (F12)	4.92 (F12)	M12x15	1/2"X0.59	102* (F10)	4.02* (F10)	M10X15	3/8"X0.59
C45M	303	11.93	-	-	-	-	164.0	6.46	127.0	5.00	164.0	6.45	31.0	1.22	33.0	1.30	27	1.06	125 (F12)	4.92 (F12)	M12x15	1/2"X0.59	102* (F10)	4.02* (F10)	M10X15	3/8"X0.59
C60	360	14.17	285	11.22	-	-	218.0	8.58	180.0	7.09	141.0	5.57	94.0	3.70	43.0	1.69	36	1.42	140 (F14)	5.51 (F14)	M16x18	5/8"X0.71	-	-	-	-
C60M	390	15.35	-	-	-	-	218.0	8.58	180.0	7.09	141.0	5.57	94.0	3.70	43.0	1.69	36	1.42	140 (F14)	5.51 (F14)	M16x18	5/8"X0.71	-	-	-	-
C75	437	17.20	342	13.46	-	-	270.0	10.63	223.0	8.76	166.0	6.54	110.0	4.33	43.0	1.69	36	1.42	140 (F14)	5.51 (F14)	M16x18	5/8"X0.71	-	-	-	-
C75M	467	18.38	-	-	-	-	270.0	10.63	223.0	8.76	166.0	6.54	110.0	4.33	43.0	1.69	36	1.42	140 (F14)	5.51 (F14)	M16x18	5/8"X0.71	-	-	-	-

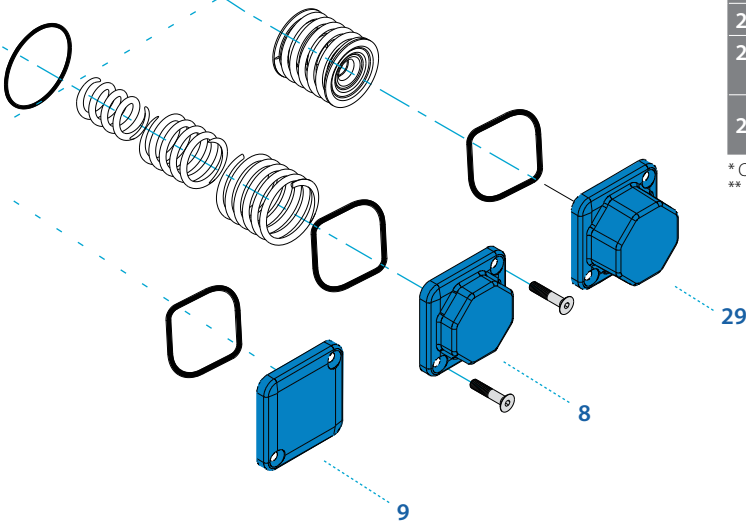
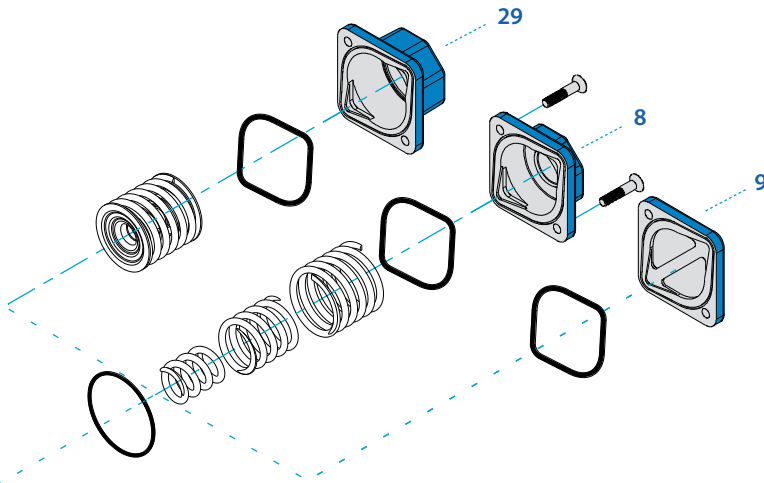
* The C45 bottom PCD can be either F12 or F10, but not both. The standard is F12. When ordering C45 with F10, you must add it to the code.

Technical Data

Actuator size		Unit	C15	C20	C25	C30	C30M	C35	C35M	C45	C45M	C60	C60M	C75	C75M
Weight		kg	1.10	1.90	3.50	5.00	6.10	9.00	10.40	15.00	16.70	35.00	39.40	64.00	72.00
Spring return		lb	2.40	4.20	7.70	11.00	13.40	19.80	22.00	33.10	37.40	77.20	86.00	141.10	158.00
Weight		kg	0.90	1.50	2.60	4.40	-	7.10	-	11.00	-	26.00	-	51.00	-
Double acting		lb	1.98	3.30	62.00	9.70	-	15.70	-	24.30	-	57.30	-	112.40	-
Air consumption per stroke actual volume	CCW	liter	0.07	0.12	0.25	0.44	0.44	0.74	0.74	1.33	1.33	3.20	3.2	5.76	5.76
	CW		0.09	0.15	0.33	0.54	-	0.80	-	1.33	-	3.20	-	5.76	-
	Total		0.16	0.27	0.58	0.98	-	1.54	-	2.66	-	6.40	-	11.52	-
Air consumption per stroke actual volume	CCW	in ³	4.30	7.30	15.00	27.00	27.00	45.00	45.00	81.00	81.00	195.00	195	351.00	351.00
	CW		5.50	9.20	20.00	33.00	-	49.00	-	81.00	-	195.00	-	351.00	-
	Total		9.80	16.50	35.00	60.00	-	94.00	-	162.00	-	391.00	-	703.00	-
Stroke time with S.V. with 0.9 Cv at 80 psi	D/A	sec.	0.10	0.13	0.20	0.24	-	0.40	-	0.75	-	1.50	-	2.50	-
	S/R Open		0.10	0.15	0.23	0.29	0.30	0.54	0.60	1.00	1.10	2.20	2.4	3.70	4.00
	S/R Close		0.15	0.15	0.23	0.28	0.28	0.48	0.50	0.77	0.80	1.60	1.6	2.90	2.90

Actuator components & materials





Item	Description	Material specifications	Qty.
1	Body	AL 356-T6	1
2	Piston	AL 356/380	4
3	Piston O-ring	NBR, Viton, EPDM, NBR FX428	4
4	Inner spring	Spring steel, painted	4
5	Middle spring	Spring steel, painted	4
6	Outer spring	Spring steel, painted	4
7	Cover O-ring	NBR, Viton, EPDM, NBR FX428	3
7a	NAMUR cover O-ring	NBR, Viton, EPDM, NBR FX428	1
8	Spring return cover	AL 380	3
8a	NAMUR cover	AL 380	1
9	Double acting cover	AL 380	3
10	Air supply O-ring	NBR, Viton, EPDM, NBR FX428	1
11	Cover screw	Stainless steel	8-16
12	Pinion	Steel ENP	1
13	Stop plate	Stainless steel CF8M	1
14	Thrust washer	Delrin, CF PTFE, UHMWPE	2
14B	Bearing	Delrin, CF PTFE, UHMWPE	1
15	Pinion O-ring	NBR, Viton, EPDM, NBR FX428	2
15B	Top pinion O-ring	NBR, Viton, EPDM, NBR FX428	1
16	Disc bearing	Stainless steel / Delrin	1
17	Circlip	Stainless steel, spring steel zinc plated	1
18	Pad	Delrin, CF PTFE, UHMWPE	4
19	Stroke adjustment screw	Stainless steel	4
20	Exhaust plug (silencer)	Delrin, brass	1
21	Indicator	Plastic ABS, red & white	1
22	Puck	Plastic ABS, red & white	1
23	Indicator screw	Stainless steel	1
24	Tag (not shown)	Stainless steel	4
25	NAMUR insert	AL 380	1
26	Insert screw	Stainless steel	2
27	NAMUR insert O-ring	NBR, Viton, EPDM, NBR FX428	2
28	Spring cassette	Spring steel, painted	4
29	Spring return cover for M series	AL 380	3
29A	NAMUR cover for M series	AL 380	1

* C75 & C75M Pinion (12) and stop (13) are one pcs
 ** pinion assembly for actuators C35 and above

Torque chart (in-lb)

Double acting

Size	Operating pressure (psi)						
	40	60	70	80	90	100	120
C15	81	125	149	172	188	207	244
C20	146	229	271	311	351	390	468
C25	317	476	555	639	723	802	961
C30	505	769	914	1,052	1,190	1,334	1,611
C35	928	1,382	1,624	1,848	2,073	2,311	2,780
C45	1,807	2,719	3,170	3,622	4,074	4,525	5,429
C60	4,289	6,436	7,511	8,585	9,659	10,725	12,872
C75	7,926	11,893	13,877	15,856	17,834	19,819	23,767

Spring return single acting

Size	Spring set	Air pressure - psi (bar)														Spring torque	
		40 (2.8)		60 (4.1)		70 (4.8)		80 (5.5)		90 (6.2)		100 (6.9)		120 (8.3)			
		Start	End	Start	End	Start	End	Start	End	Start	End	Start	End	Start	End	Start	End
C15	1A	56	32	92	64	110	93	133	106	156	128	174	148	220	192	53	27
	1B			73	37	102	68	115	89	137	101	156	121	201	165	80	44
	1B2					85	42	106	62	119	82	139	95	183	137	106	62
	2									101	55	121	74	165	110	133	80
C20	2A			146	92	187	136	230	168	266	201	304	252	375	320	133	80
	2A2B			128	64	170	110	212	142	247	174	286	226	357	293	159	97
	2B					153	85	195	115	229	156	269	200	348	266	186	115
	2C							168	89	201	119	243	165	320	229	221	142
C25	2A	185	89	330	211	416	306	487	372	568	449	651	538	806	677	248	142
	2A2B			302	174	390	272	469	345	549	412	633	503	787	641	283	159
	2B					365	229	443	301	522	375	607	460	760	604	319	186
	2C					322	153	398	212	476	284	555	382	705	513	416	239
C30	2A	290	153	522	366	679	526	805	646	934	769	1085	928	1355	1181	372	230
	2A2B			476	275	636	441	761	558	897	677	1041	833	1309	1080	469	274
	2B			439	165	594	365	717	478	851	595	998	755	1263	998	549	319
	2C					543	212	646	345	778	458	928	625	1190	861	690	389
C30M	2A	217	153	439	366	594	526	717	646	842	769	980	920	1236	1172	372	301
	2A2B	169	97	385	302	543	467	664	593	778	705	928	859	1181	1108	434	354
	2B			330	238	484	407	611	531	723	641	876	798	1126	1044	496	407
	2C					407	306	522	416	632	531	790	694	1035	934	611	504
C35	2A	603	314	1016	677	1273	950	1487	1142	1703	1346	1944	1596	2399	2023	655	336
	2A2B	515	209	916	568	1180	840	1389	1035	1602	1227	1848	1484	2298	1904	770	434
	2B			842	403	1103	696	1310	876	1520	1071	1770	1336	2216	1749	929	513
	2C							1177	602	1382	787	1640	1067	2078	1465	1212	646
C35M	2A	434	338	815	705	1069	967	1266	1159	1465	1355	1709	1605	2142	2042	620	504
	2A2B	346	225	714	577	976	933	1168	1035	1364	1227	1614	1484	2042	1913	752	611
	2B			613	449	883	730	1071	912	1273	1099	1527	1362	1950	1785	876	708
	2C					730	552	912	726	1099	906	1362	1180	1776	1584	1080	885
C45	2A	1078	483	1904	1208	2376	1723	2805	2115	3232	2518	3696	3002	4568	3818	1407	761
	2A2B			1804	1035	2283	1561	2708	1938	3131	2335	3601	2829	4468	3635	1584	858
	2B			1639	751	2139	1298	2549	1664	2975	2051	3453	2560	4312	3351	1876	1018
	2C					1892	866	2301	1212	2710	1584	3202	2117	4047	2884	2345	1274
C45M	2A	724	483	1483	1199	1969	1706	2363	2089	2765	2481	3236	2967	4056	3772	1186	947
	2A2B	885	668	1657	1410	2130	1909	2531	2301	2939	2701	3401	3167	4230	3992	1416	1124
	2B			1300	980	1808	1502	2195	1885	2591	2270	3063	2759	3882	3552	1628	1301
	2C					1528	1154	1903	1513	2289	1886	2785	2403	3580	3177	2018	1611
C60	2A	2639	1287	4587	3012	5728	4226	6744	5160	7764	6107	8859	7245	10931	9192	3186	1717
	2A2B			4376	2609	5525	3853	6531	4761	7544	5704	8650	6863	10712	8789	3593	1929
	2B			4047	2023	5219	3310	6213	4204	7223	5118	8338	6308	10382	8203	4186	2248
	2C					4650	2274	5620	3115	6601	4001	7757	5249	9769	7086	5310	2859
C60M	2A	1706	1191	3470	2884	4634	4099	5576	5009	6537	5951	7635	7080	9585	9000	3283	2690
	2A2B	2084	1633	3900	3387	5032	4557	5991	5496	6958	6445	8043	7557	10016	9503	2779	2257
	2B			3049	2390	4243	3632	5160	4531	6107	5447	7228	6611	9155	8505	3797	3124
	2C					3488	2724	4381	3575	5292	4468	6455	5674	8350	7516	4797	3956
C75	2A	4940	2776	8560	6015	10650	8223	12514	9947	14410	11719	16433	13813	20251	17413	5443	3098
	2A2B			8157	5328	10277	7587	12125	9284	14007	11032	16051	13162	19848	16727	6133	3496
	2B			7507	4221	9674	6560	11496	8213	13357	9924	15435	12112	19198	15619	7248	4133
	2C					8698	4888	10478	5593	12305	8121	14438	10403	18146	13815	9062	5168
C75M	2A	3862	2896	7223	6116	9318	8291	11080	10009	12872	11764	14871	13830	18503	17395	5275	4142
	2A2B	3266	2164	6546	5292	8690	7527	10416	9213	12186	10940	14229	13041	17825	16571	6115	4841
	2B			5868	4468	8054	6764	9762	8416	11508	10107	13587	12260	17148	15747	6956	5522
	2C					6781	5143	8434	6726	10135	8359	12277	10603	15765	13998	8726	6930
	3									8780	6647	11002	8980	14419	12286	10478	8301

NAMUR & ISO interface

An extensive range of accessories such as solenoids, positioners and limit switches are available for direct mounting to the COMPACT actuator. Any accessory whose connections comply with ISO 5211 and VDI/VDE 3845 (NAMUR) mounting can be connected to the actuator.

NAMUR VDI/VDE 3845

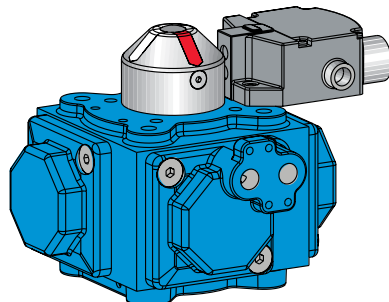
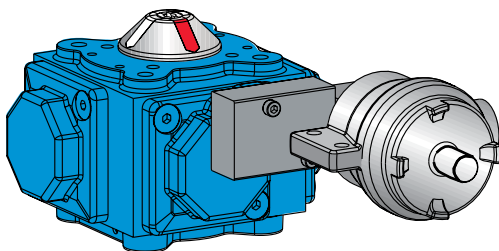
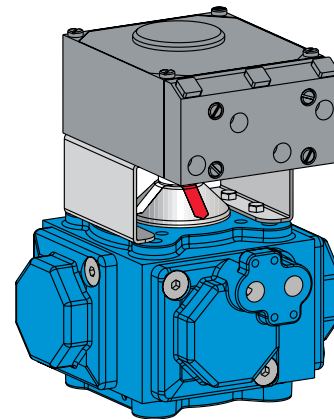
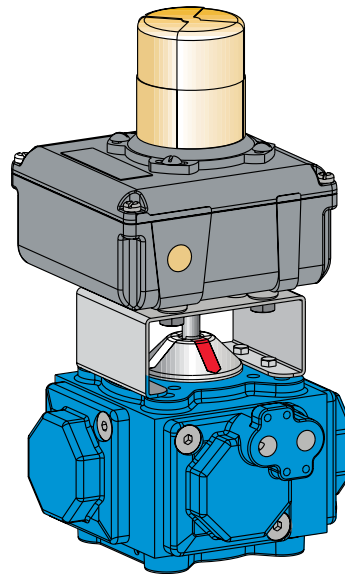
This standard provides for a range of accessories such as limit switches, pucks, indicators and positioners with a VDI/VDE interface so that they can be easily mounted onto the actuator top face.

NAMUR solenoid mounting

One of the four available actuator covers incorporates a pad for solenoid mounting according to the NAMUR international standard. Any solenoid that conforms to the NAMUR interface can be directly mounted to the actuators, thus simplifying the installation of solenoids and eliminating additional piping. It also allows quick actuation response as pressurized air supply is available at the port entrance.

ISO 5211

The actuator bottom flange is in accordance with the ISO 5211 international standard and incorporates a star-shaped female drive to flexibly fit a variety of valve output shafts. The valve can be attached by a bracket or mounted directly onto the actuator, using one of the various ISO hole patterns.



Emergency Shut-Down system (ESD)

Short response time

A short response time is essential for valves operating in Emergency Shut Down (ESD) systems such as in refineries, power stations, mining and other applications where Safety Integrity Level (SIL) loops are a mandatory requirement. The values in the table below indicate the closing time (seconds) of an unloaded actuator and a loaded actuator with torque values simulating real-life situations. The stroke time measures the actual movement of the actuator without a solenoid or any other accessory delay.

COMPACT actuator stroking time (sec.)

1/4" NAMUR solenoid valve

Compact actuator closing time (sec.)					
Compact Actuator for Emergency Shut-Down (ESD) Systems		Normal		Improved	Fast
		1/4" Namur solenoid valve Cv = 0.9		1/4" Namur solenoid valve Cv = 0.9, & Breather Block	1/4" Non-Namur Solenoid valve Cv = 1, & 1/4" quick exhaust
Size	Load	3/2	5/2	3/2	5/2
C20-2C	0	0.09	0.08	0.05	0.05
	10 Nm / 89 lbf-in	0.14	0.09	0.07	0.07
C25-2C	0	0.17	0.12	0.07	0.06
	22 Nm / 195 lbf-in	0.35	0.15	0.17	0.15
C30-2C	0	0.26	0.20	0.12	0.10
	36 Nm / 319 lbf-in	0.49	0.23	0.25	0.20
C35-2C	0	0.39	0.29	0.26	0.17
	60 Nm / 531 lbf-in	0.58	0.35	0.41	0.27
C45-2C	0	0.71	0.52	0.43	0.30
	116 Nm / 1027 lbf-in	1.23	0.64	0.76	0.57
C60-2C	0	1.79	1.30	1.21	0.73
	260 Nm / 2300 lbf-in	2.36	1.38	1.73	1.13
C75-2C	0	2.78	2.00	1.86	1.08
	460 Nm / 4071 lbf-in	3.90	2.42	2.91	1.75

Compact actuator closing time (sec.)					
Compact Actuator for Emergency Shut-Down (ESD) Systems		Normal		Improved	Fast
		1/2" Namur solenoid valve Cv = 3.5		1/2" Namur solenoid valve Cv = 3.5, & Breather Block	1/2" Non-Namur Solenoid valve Cv = 3.5, & 1/2" quick exhaust
Size	Load	3/2	5/2	3/2	5/2
C60-2C	0	0.71	0.49	0.99	0.53
	260 Nm / 2300 lbf-in	1.22	0.60	1.50	0.80
C75-2C	0	1.12	-	-	1.04
	460 Nm / 4071 lbf-in	1.79	-	-	1.52

Mounting kits

Mounting kits play a major role in the proper functioning of an automated unit. A rigid bracket must connect the actuator to the valve so they become a single unit with zero movement between the three components. The coupler is an element that transfers the torque from the actuator to the valve shaft. It must fit tightly and accurately so as to minimize hysteresis and to turn the valve shaft on its center axis without side loading.

The mounting kit is designed for safe installation and operation of the complete unit, having rigid construction and no sharp corners. This well-engineered product provides a wide range of movement for the spanner, allowing for easy installation and maintenance, as well as maximum worker safety.

Whether pairing Habonim valves with the Habonim Compact™ actuators, customizing a mounting kit to pair the Habonim Compact™ actuator with other valve brands or mounting Habonim valves on a wide variety of other actuator brands; Habonim is a one stop shop, offering valve automation linkage hardware for a wide range of applications.

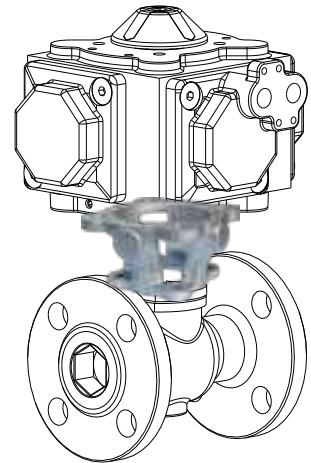
Cast brackets

Habonim's rigid cast bracket, has a unique shape and precise construction with dual ISO 5211 standard hole patterns on both the top and bottom. The cast bracket is designed for installation on all Habonim valves, and the Compact™ pneumatic actuator which conform to ISO 5211 standard.

An aesthetic shape and rounded corners, allow clear visibility of the valve stem and coupler from all directions. This well-engineered product provides a wide range of movement for the spanner, allowing for easy installation and maintenance, as well as maximum worker safety.

The cast bracket is made from cast grade CF8 (AISI304) stainless steel for better corrosion resistance. Each pad is marked with the relevant ISO "F" number for clear identification. The coupler is made from stainless steel 303 as standard, and the fasteners are from stainless steel 304. Other materials are available upon special request.

Sample MK code description 'MK47C-25-C35'



'Closed box' mounting kit

The 'closed box' mounting kit design is used mainly for Non-ISO 5211 compliant top pads, platforms larger than ISO 5211 F14 PCD, or for unique applications which are not covered by the cast bracket.

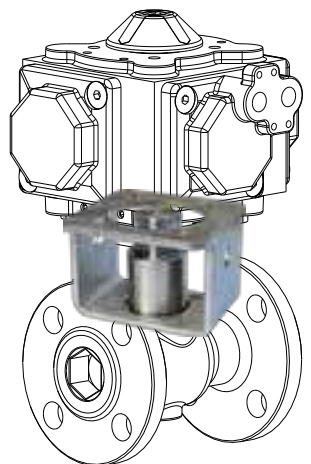
A 'closed box' bracket is comprised of a top and bottom element connected by a precisely welded tongue and groove construction. This configuration delivers the load from the actuator to the valve mainly through this latch mechanism and less is applied through the welding seam.

The Closed box bracket is made from stainless steel sheet AISI 304, however, for off-shore applications, desalination plants and applications exposed to corrosive environments stainless steel 316/316L is used.

An epoxy painted carbon steel bracket is used to connect large scotch-yoke actuators to large high pressure valves or trunnion mounted valves.

As standard the coupler is made from stainless steel 303, and the fasteners are made from stainless steel 304. Other materials are also available upon special request.

Sample MK code description 'MK47-25-C35'



'Lock Pin' mounting kit

To enhance site safety by preventing unintentional remote operation of an automated valve, Habonim provides a special lockable mounting kit.

The '-LP' mounting kit consists of a special bracket and coupler. A concentric hole drilled through the coupler and bracket allows a rigid stainless steel pin to be slid through both elements, blocking the valve stem and actuator pinion.

The '-LP' mounting kit does not include the lock pin itself, only the preparation to fit the lock pin as lock pins are normally part of maintenance toolbox.

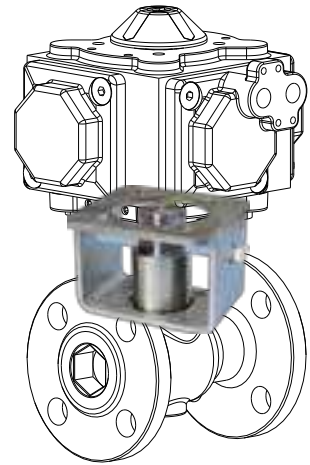
Sample MK code description 'MK47-25-C35-LP'

Sample Lock pin kit codes:

LOCK PIN KIT C15/C30

LOCK PIN KIT C35/C45

LOCK PIN KIT C60/C75



'IFM' mounting kit

When a small footprint automated valve is required, Habonim provides a special mounting kit to allow easy installation of a barrel type proximity switch between the valve and actuator.

The '-IFM' mounting kit consist of a special bracket drilled to match the proximity switch OD, and a unique coupler with two ferromagnetic pin targets connected to it. The targets are aligned with the proximity switch unit so that when the actuator turns the valve to the open or closed position, the proximity switch signals the valve's position. This solution is an ideal non-contact detection of metal targets in position sensing applications, combined with smaller footprint allows for reduced space on the plant floor, but also minimizes the mounting space for sensors used for position control.

Sample MK code description 'MK47-10/12-C25-IFM12'

IFM shows the proximity switch type, followed by a number (8, 12, 18 or 30 mm) which indicates the outside diameter of the proximity switch cylinder.

'MOL' mounting kit

Manual operation of an automated valve is necessary during commissioning of a plant when an energy source is not stable, in case of an emergency, when there is a power outage and the valve must remain in the open or closed position, or due to an actuator malfunction.

Normally a declutchable gear would be used to integrate human intervention in an automated loop, however for small size valves up to 1 1/2" (DN40), Habonim recommends a cost effective mounting kit that allows the operator to turn the valve manually.

The 'MOL' mounting kit consists of a unique coupler with milled flats, and a drilled hole in its center. The 'MOL' closed box bracket is designed with an additional groove that allows a full quarter turn of a spanner. The kit also includes a lock pin and 19 mm spanner chained to the bracket. To rotate the pneumatically automated valve, disconnect the air pressure from the actuator. Hold the coupler flats with the spanner, and turn the drive train to its counter position, slide the lock pin all the way through the bracket and coupler to hold the valve and actuator in the new position.

Sample MK code description 'MK47-10/12-C25-MOL'

Actuation

Pneumatic actuator

General

COMPACT
actuator

ESD system

Mounting kits

Ordering
code system

Standard

Series in range: 47P, 47X, 47W, 47G
31P, 31X, 31W, 31G (sizes 1¼", 2½", 4" FB are excluded)
32P, 32X, 32W, 32G (sizes 1¼", 2½", 4" FB are excluded)

Valve Size Standard port / Actuator size	inch mm	½" DN15	¾" DN20	1" DN25	1¼" DN32	1½" DN40	2" DN50
C15		MK47C-05/07-C15		MK47C-10/12-C15		-	
C20		MK47C-05/07-C20		MK47C-10/12-C20		MK47C-15/20-C20	
C25		MK47-05/07-C25		MK47C-10/12-C25		MK47C-15/20-C25	
C30 / C30M		MK47-05/07-C30		MK47C-10/12-C30		MK47C-15/20-C30	
C35 / C35M		-		MK47-10/12-C35		MK47-15/20-C35	
C45 / C45M		-		-		MK47-15/20-C45	
C60 / C60M / C75 / C75M		-		-		-	
C90M		-		-		-	

Valve Size Standard port / Actuator size	inch mm	2½" DN65	3" DN80	4" DN100	4" FB DN100	6" DN150	8" DN200
C15		-		-		-	
C20		-		-		-	
C25		MK47C-25-C25		-		-	
C30 / C30M		MK47C-25-C30		MK47C-30/40-C30		-	
C35 / C35M		MK47C-25-C35		MK47C-30/40-C35		-	
C45 / C45M		MK47C-25-C45		MK47C-30/40-C45		MK47-60/80-C45	
C60 / C60M / C75 / C75M		-		MK47C-30/40-C60/C75		MK47-60/80-C60/C75	
C90M		-		-		MK47-60/80-C90	

Series in range: 73P, 73X, 73W, 73G
74P, 74X, 74W, 74G
77P, 77X, 77W, 77G (Applicable for sizes 3" - 6")
78P, 78X, 78W, 78G (Applicable for sizes ½" - 2")

Valve Size Standard port / Actuator size	inch mm	½" DN15	¾" DN20	1" DN25	1½" DN40	2" DN50	
C15		MK47C-05/07-C15		MK47C-10/12-C15		-	
C20		MK47C-05/07-C20		MK47C-10/12-C20		MK47C-15/20-C20	
C25		MK47-05/07-C25		MK47C-10/12-C25		MK47C-15/20-C25	
C30 / C30M		MK47-05/07-C30		MK47C-10/12-C30		MK47C-15/20-C30	
C35 / C35M		-		MK47-10/12-C35		MK47-15/20-C35	
C45 / C45M		-		-		MK47-15/20-C45	
C60 / C60M / C75 / C75M		-		-		-	
C90M		-		-		-	

Valve Size Standard port / Actuator size	inch mm	3" DN80	4" DN100	6" DN150	8" DN200
C15		-		-	
C20		-		-	
C25		-		-	
C30 / C30M		MK47C-30/40-C30		-	
C35 / C35M		MK47C-30/40-C35		-	
C45 / C45M		MK47C-30/40-C45		MK47-60/80-C45	
C60 / C60M / C75 / C75M		MK47C-30/40-C60/C75		MK47-60/80-C60/C75	
C90M		-		MK47-60/80-C90	

Series in range: 48, 48X, 48W, 48G

Valve Size Standard port / Actuator size	inch	½"	¾"	1"	1¼"	1½"	2"
	mm	DN15	DN20	DN25	DN32	DN40	DN50
C15		MK47C-05/07-C15		MK47C-10/12-C15		-	-
C20		MK47C-05/07-C20		MK47C-10/12-C20		MK47C-15/20-C20	-
C25		MK47-05/07-C25		MK47C-10/12-C25		MK47C-15/20-C25	MK48C-20-C25
C30 / C30M		MK47-05/07-C30		MK47C-10/12-C30		MK47C-15/20-C30	MK48C-20-C30
C35 / C35M		-		MK47-10/12-C35		MK47-15/20-C35	MK48C-20-C35
C45 / C45M		-		-		MK47-15/20-C45	MK48C-20-C45
C60 / C60M / C75 / C75M		-		-		-	-
C90M		-		-		-	-

Valve Size Standard port / Actuator size	inch	2½"	3"	4"	6"
	mm	DN65	DN80	DN100	DN150
C15		-			-
C20		-			-
C25		-			-
C30 / C30M		MK47C-30/40-C30			-
C35 / C35M		MK47C-30/40-C35			-
C45 / C45M		MK47C-30/40-C45			MK47-60/80-C45
C60 / C60M / C75 / C75M		MK47C-30/40-C60/C75			MK47-60/80-C60/C75
C90M		-			-

Series in range: 61P, 61X
62P, 62X

Valve Size Standard port / Actuator size	inch	½" Full port	¾"	1"	1¼"	1½"	2"
	mm	DN15	DN20	DN25	DN32	DN40	DN50
C15		MK47C-10/12-C15		-		-	-
C20		MK47C-10/12-C20		MK47C-10/12-C20		MK47C-15/20-C20	-
C25		MK47C-10/12-C25		MK47C-10/12-C25		MK47C-15/20-C25	MK48C-20-C25
C30 / C30M		MK47C-10/12-C30		MK47C-10/12-C30		MK47C-15/20-C30	MK48C-20-C30
C35 / C35M		-		MK47-10/12-C35		MK47-15/20-C35	MK48C-20-C35
C45 / C45M		-		-		MK47-15/20-C45	MK48C-20-C45
C60 / C60M / C75 / C75M		-		-		-	-
C90M		-		-		-	-

Valve Size Standard port / Actuator size	inch	2½"	3"	4"
	mm	DN65	DN80	DN100
C15		-	-	-
C20		-	-	-
C25		-	-	-
C30 / C30M		MK48C-20-C30	MK47C-30/40-C30	-
C35 / C35M		MK48C-20-C35	MK47C-30/40-C35	-
C45 / C45M		MK48C-20-C45	MK47C-30/40-C45	MK47-60/80-C45
C60 / C60M / C75 / C75M		MK48-20-C60/C75	MK47C-30/40-C60/C75	MK47-60/80-C60/C75
C90M		-	-	-

Actuation

Pneumatic actuator

General

COMPACT
actuator

ESD system

Mounting kits

Ordering
code system

Standard

Series in range: 24, 24X, 24W

Valve Size Standard port / Actuator size	inch	½"	¾"	1"	1¼"	1½"
	mm	DN15	DN20	DN25	DN32	DN40
C15		MK24-05-C15	MK24-07-C15	-	-	-
C20		MK24-05-C20	MK24-07-C20	MK24-10-C20	MK24-12-C20	MK24-15-C20
C25		MK24-05-C25	MK24-07-C25	MK24-10-C25	MK24-12-C25	MK24-15-C25
C30 / C30M		-	-	MK24-10-C30	MK24-12-C30	MK24-15-C30
C35 / C35M		-	-	-	-	MK24-15-C35

Series in range: 27, 27X, 27W

Valve Size Standard port / Actuator size	inch	½"	¾"	1"	1¼"	1½"	2"
	mm	DN15	DN20	DN25	DN32	DN40	DN50
C15		MK27-05-C15	MK27-07-C15	-	-	-	-
C20		MK27-05-C20	MK27-07-C20	MK27-10/12-C20	-	MK27-15-C20	-
C25		MK27-05-C25	MK27-07-C25	MK27-10/12-C25	-	MK27-15-C25	MK27-20-C25
C30 / C30M		MK27-05-C30	MK27-07-C30	MK27-10/12-C30	-	MK27-15-C30	MK27-20-C30
C35 / C35M		-	-	MK27-10/12-C35	-	MK27-15-C35	MK27-20-C35
C45 / C45M		-	-	-	-	MK27-15-C45	MK27-20-C45
C60 / C60M / C75 / C75M		-	-	-	-	-	-
C90M		-	-	-	-	-	-

Valve Size Standard port / Actuator size	inch	2½"	3"	4"	6"	8"
	mm	DN65	DN80	DN100	DN150	DN200
C15		-	-	-	-	-
C20		-	-	-	-	-
C25		-	-	-	-	-
C30 / C30M		MK27-25-C30	MK27-30-C30	MK27-40-C30	-	-
C35 / C35M		MK27-25-C35	MK27-30-C35	MK27-40-C35	-	-
C45 / C45M		MK27-25-C45	MK27-30-C45	MK27-40-C45	MK27-60-C45	-
C60 / C60M / C75 / C75M		-	MK27-30-C60/C75	MK27-40-C60/C75	MK27-60-C60/C75	MK27-A0-C60/C75
C90M		-	-	-	MK27-60-C90	MK27-A0-C90

Series in range: 28, 28X, 28W

Valve Size Standard port / Actuator size	inch	½"	¾"	1"	1¼"	1½"	2"
	mm	DN15	DN20	DN25	DN32	DN40	DN50
C15		-	-	-	-	-	-
C20		MK47C-05-C20	MK47C-10/12-C20	-	-	-	-
C25		MK47C-05-C25	MK47C-10/12-C25	MK28C-10-C25	MK28C-12-C25	-	-
C30 / C30M		MK47-05-C30	MK47C-10/12-C30	MK28C-10-C30	MK28C-12-C30	MK48-20-C30	MK28C-15/20-C30
C35 / C35M		-	MK47-10/12-C35	MK28-10-C35	MK28-12-C35	MK48-20-C35	MK28C-15/20-C35
C45 / C45M		-	-	MK28-10-C45	MK28-12-C45	MK48-20-C45	MK28-15/20-C45
C60 / C60M / C75 / C75M		-	-	-	-	-	-
C90M		-	-	-	-	-	-

Valve Size Standard port / Actuator size	inch	2½"	3"	4"	6"	8"
	mm	DN65	DN80	DN100	DN150	DN200
C15		-	-	-	-	-
C20		-	-	-	-	-
C25		-	-	-	-	-
C30 / C30M		-	-	-	-	-
C35 / C35M		MK47C-30/40-C35	MK28-30-C35	-	-	-
C45 / C45M		MK47C-30/40-C45	MK28-30-C45	MK28-40-C45	-	-
C60 / C60M / C75 / C75M		MK47C-30/40-60/C75	MK28-30-C60/C75	MK28-40-C60/C75	MK28-60-C60/C75	MK28-80-C60/C75
C90M		-	-	-	MK28-60-C90	MK28-80-C90

Series in range: 26, 26X, 26W

Valve Size Standard port / Actuator size	inch	2"	3"	4"	6"	8"
	mm	DN50	DN80	DN100	DN150	DN200
C15		-	-	-	-	-
C20		-	-	-	-	-
C25		-	-	-	-	-
C30 / C30M		MK47C-30/40-C30	-	-	-	-
C35 / C35M		MK47C-30/40-C35	MK47-60/80-C35	-	-	-
C45 / C45M		MK47C-30/40-C45	MK47-60/80-C45	MK47-A0-C45	-	-
C60 / C60M / C75 / C75M		MK47C-30/40-60/C75	MK47-60/80-C60/C75	MK47-A0-C60/C75	MK26-80-C60/C75	-
C90M		-	-	-	MK47-A0-C90	MK26-80-F16

Actuation

Pneumatic actuator

General

COMPACT
actuator

ESD system

Mounting kits

Ordering
code system

Cryogenic

Series in range: **C47C, C47W**
C31C, C31W (sizes 1¼", 2½", 4" FB are excluded)
C32C, C32W (sizes 1¼", 2½", 4" FB are excluded)

Valve Size Standard port / Actuator size	inch mm	½"	¾"	1"	1¼"	1½"	2"
		DN15	DN20	DN25	DN32	DN40	DN50
C15		MK47C-05/07-C15		MK47C-10/12-C15		-	
C20		MK47C-05/07-C20		MK47C-10/12-C20		MK47C-15/20-C20	
C25		MK47-05/07-C25		MK47C-10/12-C25		MK47C-15/20-C25	
C30 / C30M		MK47-05/07-C30		MK47C-10/12-C30		MK47C-15/20-C30	
C35 / C35M		-		MK47-10/12-C35		MK47-15/20-C35	
C45 / C45M		-		-		MK47-15/20-C45	
C60 / C60M / C75 / C75M		-		-		-	
C90M		-		-		-	

Valve Size Standard port / Actuator size	inch mm	2½"	3"	4"	4" FB	6"	8"
		DN65	DN80	DN100	DN100	DN150	DN200
C15		-	-	-	-	-	-
C20		-	-	-	-	-	-
C25		MK48C-20-C25	-	-	-	-	-
C30 / C30M		MK48C-20C30	-	MK47C-30/40-C30	-	-	-
C35 / C35M		MK48C-20-C35	-	MK47C-30/40-C35	-	-	-
C45 / C45M		MK48C-20-C45	-	MK47C-30/40-C45	-	MK47-60/80-C45	-
C60 / C60M / C75 / C75M		-	-	MK47C-30/40-C60/C75	-	MK47-60/80-C60/C75	-
C90M		-	-	-	-	MK47-60/80-C90	-

Series in range: **C73C, C73W**
C74C, C74W
C77C, C77W (Applicable for sizes 3" - 6")
C78C, C78W (Applicable for sizes ½" - 2")

Valve Size Standard port / Actuator size	inch mm	½"	¾"	1"	1¼"	2"
		DN15	DN20	DN25	DN40	DN50
C15		MK47C-05/07-C15	MK47C-10/12-C15		-	-
C20		MK47C-05/07-C20	MK47C-10/12-C20		MK47C-15/20-C20	-
C25		MK47-05/07-C25	MK47C-10/12-C25		MK47C-15/20-C25	MK48C-20-C25
C30 / C30M		MK47-05/07-C30	MK47C-10/12-C30		MK47C-15/20-C30	MK48C-20-C30
C35 / C35M		-	MK47-10/12-C35		MK47-15/20-C35	MK48C-20-C35
C45 / C45M		-	-		MK47-15/20-C45	MK48C-20-C45
C60 / C60M / C75 / C75M		-	-		-	-
C90M		-	-		-	-

Valve Size Standard port / Actuator size	inch mm	3"	4"	6"	8"
		DN80	DN100	DN150	DN200
C15		-	-	-	-
C20		-	-	-	-
C25		-	-	-	-
C30 / C30M		MK47C-30/40-C30	-	-	-
C35 / C35M		MK47C-30/40-C35	-	-	-
C45 / C45M		MK47C-30/40-C45	-	MK47-60/80-C45	-
C60 / C60M / C75 / C75M		MK47C-30/40-C60/C75	-	MK47-60/80-C60/C75	MK47-A0-C60/C75
C90M		-	-	MK47-60/80-C90	MK47-A0-C90

Series in range: **C26C, C26W**

Valve Size Standard port / Actuator size	inch mm	2"	3"	4"	6"	8"
		DN50	DN80	DN100	DN150	DN200
C15		-	-	-	-	-
C20		-	-	-	-	-
C25		-	-	-	-	-
C30 / C30M		MK47C-30/40-C30	-	-	-	-
C35 / C35M		MK47C-30/40-C35	MK47-60/80-C35	-	-	-
C45 / C45M		MK47C-30/40-C45	MK47-60/80-C45	MK47-A0-C45	-	-
C60 / C60M / C75 / C75M		MK47C-30/40-60/C75	MK47-60/80-C60/C75	MK47-A0-C60/C75	MK26-80-C60/C75	-
C90M		-	-	-	MK47-A0-C90	MK26-80-F16

Series in range: **C61C, C62C**

Valve Size Standard port / Actuator size	inch mm	1/2" Full port	3/4"	1"	1 1/4"	1 1/2"	2"
		DN15	DN20	DN25	DN32	DN40	DN50
C15		MK47C-10/12-C15	-	-	-	-	-
C20		MK47C-10/12-C20	-	MK47C-10/12-C20	-	MK47C-15/20-C20	-
C25		MK47C-10/12-C25	-	MK47C-10/12-C25	-	MK47C-15/20-C25	MK48C-20-C25
C30 / C30M		MK47C-10/12-C30	-	MK47C-10/12-C30	-	MK47C-15/20-C30	MK48C-20-C30
C35 / C35M		-	-	MK47-10/12-C35	-	MK47-15/20-C35	MK48C-20-C35
C45 / C45M		-	-	-	-	MK47-15/20-C45	MK48C-20-C45
C60 / C60M / C75 / C75M		-	-	-	-	-	-
C90M		-	-	-	-	-	-

Valve Size Standard port / Actuator size	inch mm	2 1/2"	3"	4"
		DN65	DN80	DN100
C15		-	-	-
C20		-	-	-
C25		-	-	-
C30 / C30M		MK47C-30/40-C30	-	-
C35 / C35M		MK47C-30/40-C35	-	-
C45 / C45M		MK47C-30/40-C45	MK47-60/80-C45	MK47-60/80-C45
C60 / C60M / C75 / C75M		MK47C-30/40-C60/C75	MK47-60/80-C60/C75	MK47-60/80-C60/C75
C90M		-	-	-

Series in range: **C28C, C28W**

Valve Size Standard port / Actuator size	inch mm	1/2"	3/4"	1"	1 1/4"	1 1/2"	2"
		DN15	DN20	DN25	DN32	DN40	DN50
C15		-	-	-	-	-	-
C20		MK47C-05-C20	MK47C-10/12-C20	-	-	-	-
C25		MK47C-05-C25	MK47C-10/12-C25	MK47C-15/20-C25	-	-	-
C30 / C30M		MK47-05-C30	MK47C-10/12-C30	MK47C-15/20-C30	-	MK48-20-C30	-
C35 / C35M		-	MK47-10/12-C35	MK47-15/20-C35	-	MK48-20-C35	-
C45 / C45M		-	-	MK47-15/20-C45	-	MK48-20-C45	-
C60 / C60M / C75 / C75M		-	-	-	-	MK48-20-C60/C75	-
C90M		-	-	-	-	-	-

Valve Size Standard port / Actuator size	inch mm	2 1/2"	3"	4"	6"	8"
		DN65	DN80	DN100	DN150	DN200
C15		-	-	-	-	-
C20		-	-	-	-	-
C25		-	-	-	-	-
C30 / C30M		-	-	-	-	-
C35 / C35M		MK47C-30/40-C35	MK47-60/80-C35	-	-	-
C45 / C45M		MK47C-30/40-C45	MK47-60/80-C45	MK47-60/80-C45	-	-
C60 / C60M / C75 / C75M		MK47C-30/40-60/C75	MK47-60/80-C60/C75	MK47-60/80-C60/C75	MK28-60-C60/C75	MK28-A0-C60/C75
C90M		-	-	-	MK28-60-C90	MK28-A0-C90

Actuation

Pneumatic actuator

General

COMPACT
actuator

ESD system

Mounting kits

Ordering
code system

MTM

Series in range: [Z47, Z47T](#)

Valve Size Standard port / Actuator size	inch mm	½"	¾"	1"	1¼"	1½"	2"
		DN15	DN20	DN25	DN32	DN40	DN50
C15		MK47C-05/07-C15 *		-		-	
C20		MK47C-05/07-C20		MK47C-10/12-C20 (DA ONLY)		-	
C25		MK47-05/07-C25		MK47C-10/12-C25		MK47C-15/20-C25 (DA ONLY)	
C30 / C30M		MK47-05/07-C30		MK47C-10/12-C30		MK47C-15/20-C30	
C35 / C35M		-		MK47-10/12-C35		MK47-15/20-C35	
C45 / C45M		-		-		MK47-15/20-C45	
C60 / C60M / C75 / C75M		-		-		-	
C90M		-		-		-	

Valve Size Standard port / Actuator size	inch mm	2½"	3"	4"	6"	8"	8" FB
		DN65	DN80	DN100	DN150	DN200	DN200
C15		-		-		-	
C20		-		-		-	
C25		-		-		-	
C30 / C30M		MK47C-30/40-C30 (DA ONLY)		-		-	
C35 / C35M		MK47C-30/40-C35		-		-	
C45 / C45M		MK47C-30/40-C45		MK47-60/80-C45		-	
C60 / C60M / C75 / C75M		MK47C-30/40-C60/C75		MK47-60/80-C60/C75		MK47-A0-C60/C75 MK26-80-C60/C75	
C90M		-		-		MK47-A0-C90 MK26-80-F16	

*(DA ONLY)

Series in range: [Z73, Z73T, Z74, Z74T, Z78, T78Z, Z77, Z77T](#)

Valve Size Standard port / Actuator size	inch mm	½"	¾"	1"	1½"	2"
		DN15	DN20	DN25	DN40	DN50
C15		MK47C-05/07-C15 *	-		-	-
C20		MK47C-05/07-C20	MK47C-10/12-C20 *		-	-
C25		MK47-05/07-C25	MK47C-10/12-C25		MK47C-15/20-C25 *	-
C30 / C30M		MK47-05/07-C30	MK47C-10/12-C30		MK47C-15/20-C30	MK48C-20-C30 *
C35 / C35M		-	MK47-10/12-C35		MK47-15/20-C35	MK48C-20-C35
C45 / C45M		-	-		MK47-15/20-C45	MK48C-20-C30
C60 / C60M / C75 / C75M		-	-		-	-
C90M		-	-		-	-

Valve Size Standard port / Actuator size	inch mm	3"	4"	6"	8"
		DN80	DN100	DN150	DN200
C15		-			
C20		-			
C25		-			
C30 / C30M		-			
C35 / C35M		MK47C-30/40-C35	MK47C-30/40-C30 *	-	-
C45 / C45M		MK47C-30/40-C45	MK47Z-40-C45	MK47-60/80-C45	-
C60 / C60M / C75 / C75M		MK47C-30/40-C60/C75	MK47Z-40-C60/C75	MK47-60/80-C60/C75	MK47-A0-C60/C75
C90M		-	-	-	MK47-A0-C90

*(DA ONLY)

Series in range: **Z28**

Valve Size Standard port / Actuator size	inch mm	½"	¾"	1"	1¼"	1½"	2"
		DN15	DN20	DN25	DN32	DN40	DN50
C15		-	-	-	-	-	-
C20		MK47C-05-C20	MK47C-10/12-C20	-	-	-	-
C25		MK47C-05-C25	MK47C-10/12-C25	MK28C-10-C25	MK28C-12-C25	-	-
C30 / C30M		MK47-05-C30	MK47C-10/12-C30	MK28C-10-C30	MK28C-12-C30	MK48-20-C30	MK28C-15/20-C30
C35 / C35M		-	MK47-10/12-C35	MK28-10-C35	MK28-12-C35	MK48-20-C35	MK28C-15/20-C35
C45 / C45M		-	-	MK28-10-C45	MK28-12-C45	MK48-20-C45	MK28-15/20-C45
C60 / C60M / C75 / C75M		-	-	-	-	-	-
C90M		-	-	-	-	-	-

Valve Size Standard port / Actuator size	inch mm	2½"	3"	4"	6"
		DN65	DN80	DN100	DN150
C15		-	-	-	-
C20		-	-	-	-
C25		-	-	-	-
C30 / C30M		-	-	-	-
C35 / C35M		MK47C-30/40-C35	MK28-30-C35	-	-
C45 / C45M		MK47C-30/40-C45	MK28-30-C45	MK28-40-C45	-
C60 / C60M / C75 / C75M		MK47C-30/40-60/C75	MK28-30-C60/C75	MK28-40-C60/C75	MK28-60-C60/C75
C90M		-	-	-	MK28-60-C90

Series in range: **Z28T**

Valve Size Standard port / Actuator size	inch mm	½"	¾"	1"	1¼"	1½"	2"
		DN15	DN20	DN25	DN32	DN40	DN50
C15		-	-	-	-	-	-
C20		MK47C-05-C20	MK47C-10/12-C20	-	-	-	-
C25		MK47C-05-C25	MK47C-10/12-C25	MK47C-15/20-C25	-	-	-
C30 / C30M		MK47-05-C30	MK47C-10/12-C30	MK47C-15/20-C30	-	MK48-20-C30	-
C35 / C35M		-	MK47-10/12-C35	MK47-15/20-C35	-	MK48-20-C35	-
C45 / C45M		-	-	MK47-15/20-C45	-	MK48-20-C45	-
C60 / C60M / C75 / C75M		-	-	-	-	MK48-20-C60/C75	-
C90M		-	-	-	-	-	-

Valve Size Standard port / Actuator size	inch mm	2½"	3"	4"	6"
		DN65	DN80	DN100	DN150
C15		-	-	-	-
C20		-	-	-	-
C25		-	-	-	-
C30 / C30M		-	-	-	-
C35 / C35M		MK47C-30/40-C35	MK47-60/80-C35	-	-
C45 / C45M		MK47C-30/40-C45	MK47-60/80-C45	MK47-60/80-C45	-
C60 / C60M / C75 / C75M		MK47C-30/40-60/C75	MK47-60/80-C60/C75	MK47-60/80-C60/C75	MK28-60-C60/C75
C90M		-	-	-	MK28-60-C90

Pneumatic actuator

General

COMPACT
actuator

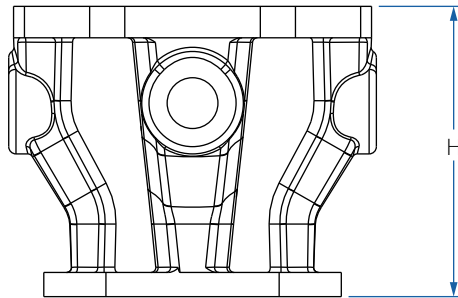
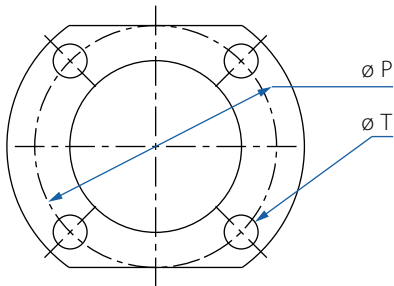
ESD system

Mounting kits

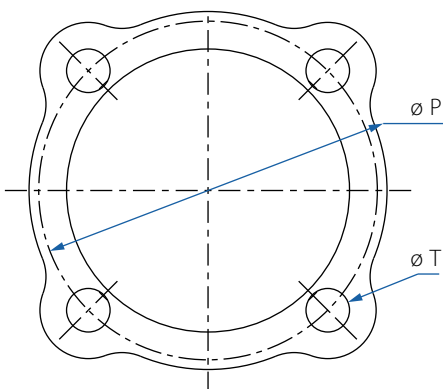
Ordering
code system

Cast mounting kit

Bottom view:



Top view:



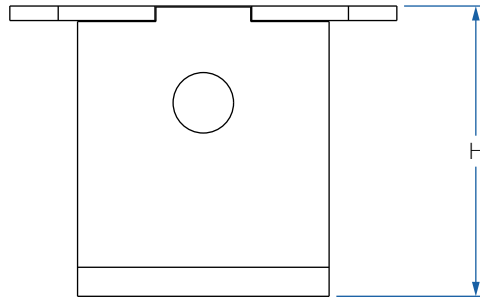
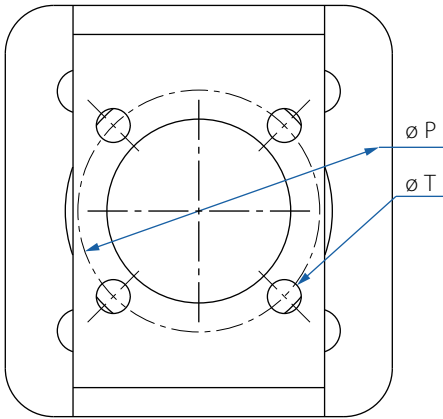
	F03	F04	F05	F07	F10	F12	F14
$\varnothing P$	$\varnothing 36$	$\varnothing 42$	$\varnothing 50$	$\varnothing 70$	$\varnothing 102$	$\varnothing 125$	$\varnothing 140$
$\varnothing T$	$\varnothing 6$	$\varnothing 6$	$\varnothing 7$	$\varnothing 9$	$\varnothing 12$	$\varnothing 14$	$\varnothing 18$

Mounting kits	Bridge	H
MK47C-05/07-C15	CP-F03-F05	40
MK47C-05/07-C20	CP-F03-F05	40
MK47C-10/12-C15	CP-F04-F05	50
MK47C-10/12-C20	CP-F04-F05	50
MK47C-10/12-C25	CP-F04-F07	50
MK47C-10/12-C30	CP-F04-F07	50
MK47C-15/20-C20	CP-F05-F05	60
MK47C-15/20-C25	CP-F05-F07	60
MK47C-15/20-C30	CP-F05-F07	60
MK48C-20-C20	CP-F07-F07	60
MK48C-20-C25	CP-F07-F07	60
MK48C-20-C30	CP-F07-F07	60
MK48C-20-C35	CP-F07-F10	60
MK47C-25-C25	CP-F07-F07	60
MK47C-25-C30	CP-F07-F08	60
MK47C-25-C35	CP-F07-F10	60
MK47C-30/40-C30	CP-F10-F10/12	80
MK47C-30/40-C35	CP-F10-F10/12	80
MK47C-30/40-C45	CP-F10-F10/12	80
MK47C-30/40-C30-WR	CP-F10-F10/12	80
MK47C-30/40-C35-WR	CP-F10-F10/12	80
MK47C-30/40-C45-WR	CP-F10-F10/12	80

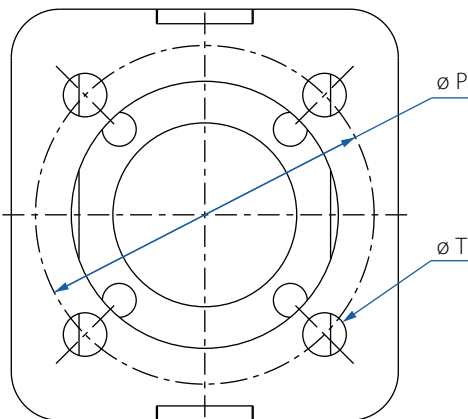
Also available with cast bridge

Close Box Mounting Kit

Bottom view:



Top view:



	F03	F04	F05	F07	F10	F12	F14
$\varnothing P$	$\varnothing 36$	$\varnothing 42$	$\varnothing 50$	$\varnothing 70$	$\varnothing 102$	$\varnothing 125$	$\varnothing 140$
$\varnothing T$	$\varnothing 6$	$\varnothing 6$	$\varnothing 7$	$\varnothing 9$	$\varnothing 12$	$\varnothing 14$	$\varnothing 18$

Mounting kits	Bridge	H
MK47-05/07-C15	F03-F05	40
MK47-05/07-C20	F03-F05	40
MK47-10/12-C15	F04-F05	50
MK47-10/12-C20	F04-F05	50
MK47-10/12-C25	F04-F07	50
MK47-10/12-C30	F04-F07	50
MK47-15/20-C20	F05-F05	60
MK47-15/20-C25	F05-F07	60
MK47-15/20-C30	F05-F07	60
MK48-20-C20	F07-F07	60
MK48-20-C25	F07-F07	60
MK48-20-C30	F07-F07	60
MK48-20-C35	F07-F10	60
MK47-25-C25	F07-F07	60
MK47-25-C30	F07-F08	60
MK47-25-C35	F07-F10	60
MK47-30/40-C30	F10-F10/12	80
MK47-30/40-C35	F10-F10/12	80
MK47-30/40-C45	F10-F10/12	80
MK47-30/40-C60	F10-F14	80
MK47-30/40-C30-WR	F10-F10/12	80
MK47-30/40-C35-WR	F10-F10/12	80
MK47-30/40-C45-WR	F10-F10/12	80
MK47-30/40-C60-WR	F10-F14	80

Actuation

Ordering code system

The HABONIM COMPACT identification code

Size	Type	Springs set			Threads		Indicator	
C15	SR Spring return	C15	C20 to C75M		I	Imperial	Default standard white with red arrows	
C20	DA Double acting	1A	2AB	2A3			D	Red with white arrows
C25		1B	2A	2C			P	High profile
C30		1B2	2A2B	2C3			Flow	
C30M		2	2B	3			Default straight	
C35							T	3-Way
C35M							L	2-Way 90 deg
C45							Options	
C45M							V	Viton O-rings
C60							E	EPDM O-rings
C60M							N	Electroless nickel plating
C75							U	UHMWPE
C75M							LT	FX428 special NBR compound for low temperature
							RFS	Reverse fail safe for CCW rotation

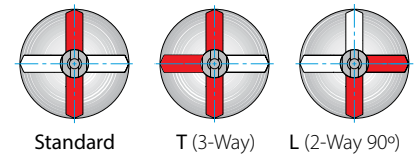
Examples:

C35 SR 2C-N Size C35, spring return, 2C spring set, metric thread, standard indicator, electroless nickel coating.

C60 DA I-DT-LT Size C60, double acting, imperial thread, indicator red with white arrows, flow 3-way, FX428 O-rings.

In some applications the options described above are limited to specific sizes. Consult with Habonim for details.

Flow directions





www.habonim.com

Habonim USA

Toll Free Phone: 1-866-261-8400
Toll Free Fax: 1-866-243-9959
sales_usa@habonim.com

Habonim EUROPE

Tel: +34 640 384 759
sales_eu@habonim.com
sales_international@habonim.com

Habonim AUSTRALIA

Tel: +61 400 001 988
sales_au@habonimau.com

Habonim CHINA

Tel: + 86 21 64453190 *146
sales_china@habonim.com

Habonim ISRAEL

Tel: +972-4-6914911
Fax: +972-4-6914935
sales_international@habonim.com

Habonim UK

Tel: +44-1633-484554
Fax: +44-1633-482252
sales_uk@habonim.com

Habonim SINGAPORE

Tel: +65 6296 7828
Fax: +65 6299 3184
sales_Singapore@habonim.com



www.habonim.com



Three piece valves Cat.

