

NOISE REDUCTION SLEEVE PN10



Size : DN 32 to 200
Ends : PN10 Flanges
Min Temperature : - 10°C
Max Temperature : + 100°C
Max Pressure : 10 Bars
Specifications : Absorb light noise vibration and interrupt noise transmission
Carbon steel threaded holes

Materials : EPDM

NOISE REDUCTION SLEEVE PN10

SPECIFICATIONS :

- Absorb light noise vibration and interrupt noise transmission
- Monobloc EPDM body
- Carbon steel threaded holes
- With bolting

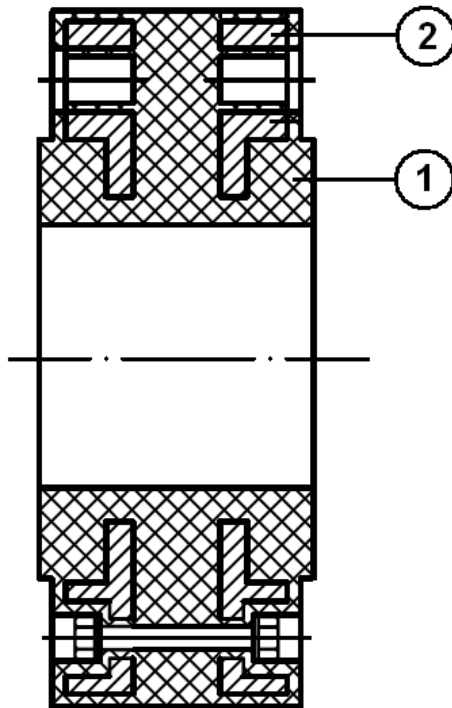
USE :

- Water distribution
- Min and max Temperature Ts : - 10°C to + 100°C
- Max Pressure Ps : 10 bars

RANGE :

- Noise reduction sleeve EPDM body with carbon steel threaded holes PN10 from DN 32 to DN 200 **Ref. 1509**

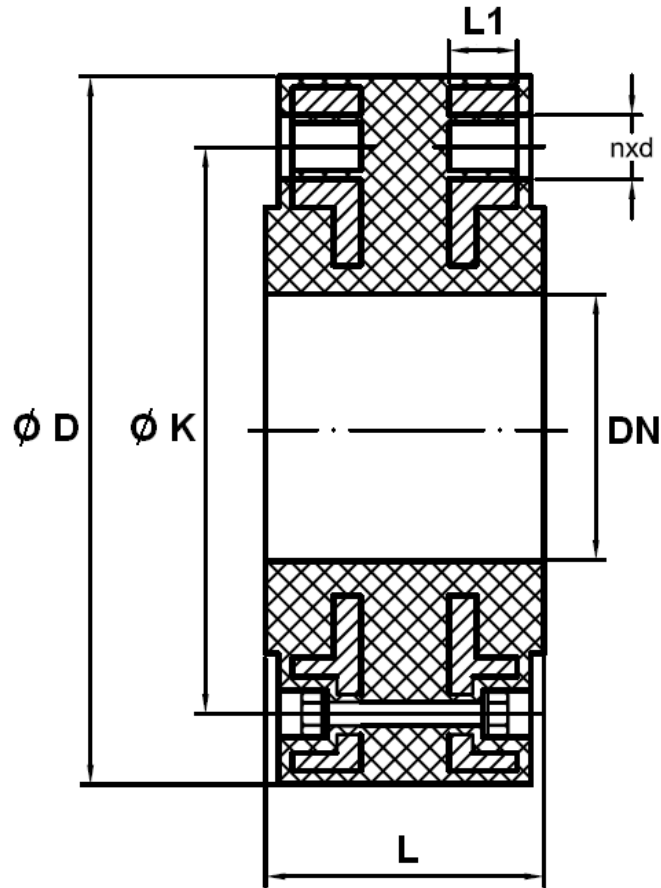
MATERIALS :



Item	Designation	Materials
1	Body	EPDM
2	Threaded holes	Carbon steel

NOISE REDUCTION SLEEVE PN10

SIZE (in mm) :



Ref.	DN	32	40	50	65	80	100	125	150	200	
1509	L	71	71	71	71	71	71	71	71	91	
	L1	16	16	16	16	18	18	18	18	20	
	Ø D	146	157	171	191	207	226	256	291	347	
	Ø K	100	110	125	145	160	180	210	240	295	
	n x d	4 x M16	4 x M16	4 x M16	4 x M16	8 x M16	8 x M16	8 x M16	8 x M16	8 x M20	8 x M20
	Weight (Kg)	3.7	4.2	5	5.9	7	8.5	10	13.2	18.5	

NOISE REDUCTION SLEEVE PN10

STANDARDS :

- Fabrication according to ISO 9001 : 2015
- DIRECTIVE 2014/68/EU : Products excluded from directive (Article 4, § 3)
- Between flanges according to EN 1092 PN10

ADVICE : Our opinion and our advice are not guaranteed and SFERACO shall not be liable for the consequences of damages. The customer must check the right choice of the products with the real service conditions.

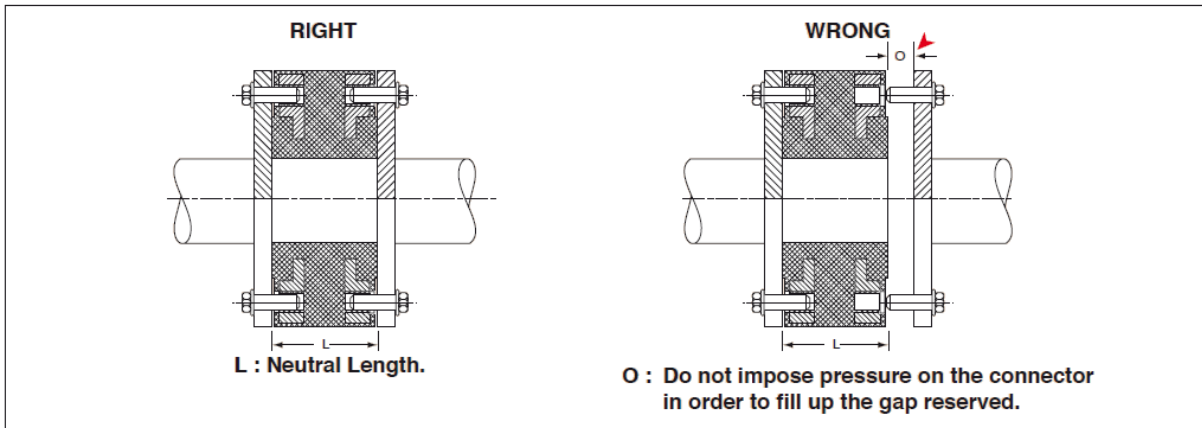
INSTALLATION INSTRUCTION :

- The pipeline is limited by fixed points
- The distance between compensator and bearing may be a maximum of 3 times the pipe diameter. Place only one compensator between 2 bearings.
- Expansion joint must not be painted and heat-insulated. It must be protected from bad weather and solar radiation.
- The flanges must be perfectly cleared

NOISE REDUCTION SLEEVE PN10

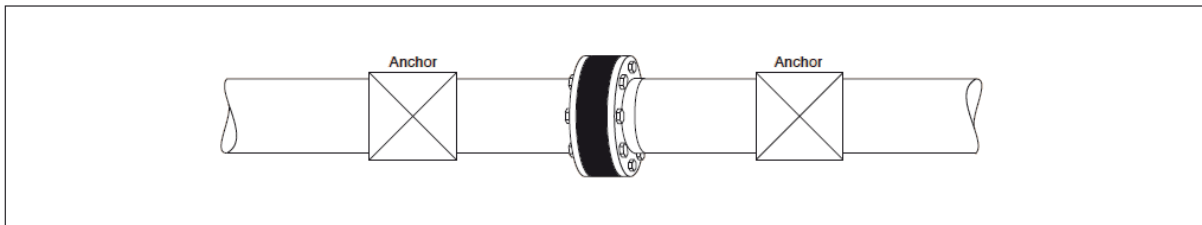
INSTALLATION INSTRUCTION (SUITE) :

INSTALLATION 1



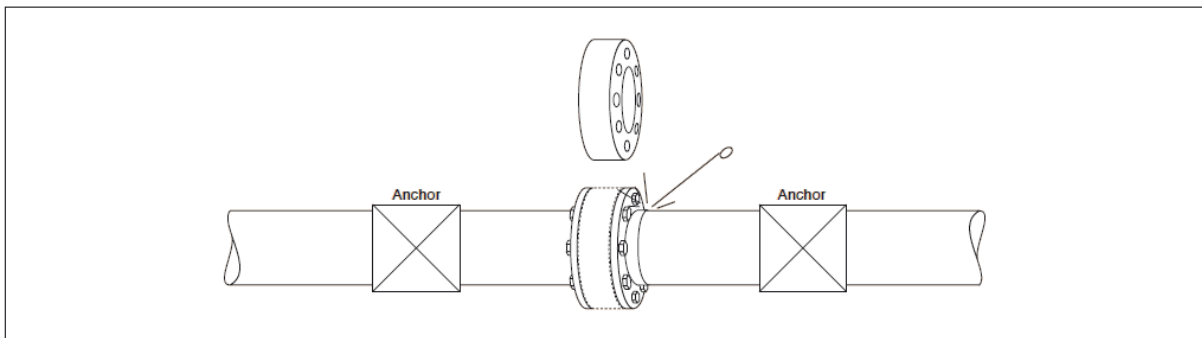
Mount pipe connectors shall be effected with the existent state maintained as it is. Particular care shall be taken to ensure the pipe connector must be free of tensile, shear, torsion or bending stresses during installation.

INSTALLATION 2



The pipe connector can work with optimise safety on condition the pipe is adequately restrained by fixed anchors.

INSTALLATION 3

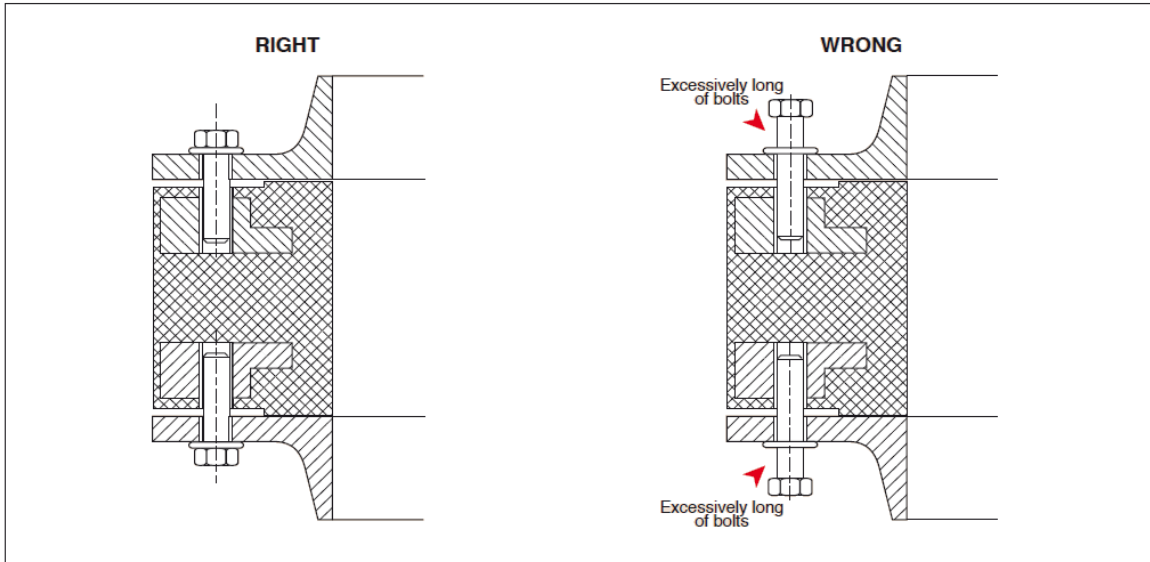


The pipe connector is made of rubber, heat shall be strictly eliminated during installation. Particular care shall be taken against sparks from welding, grinding, etc near the spot of connector installation.

NOISE REDUCTION SLEEVE PN10

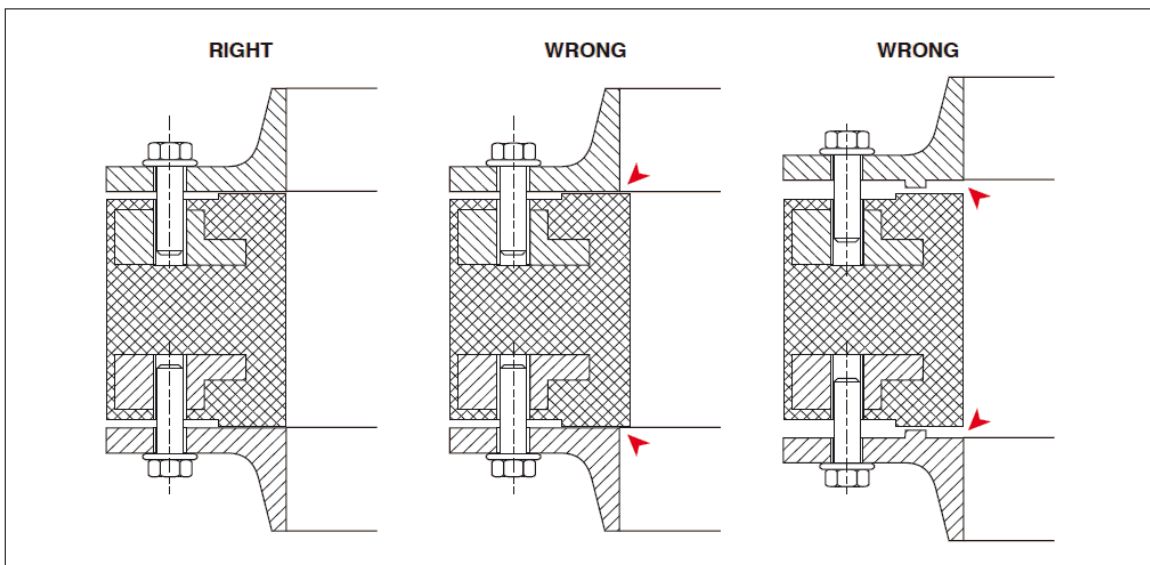
INSTALLATION INSTRUCTION (SUITE) :

INSTALLATION 4



Use the correct length of bolts as excessively long of bolts will press the rubber body away from the flanges.

INSTALLATION 5

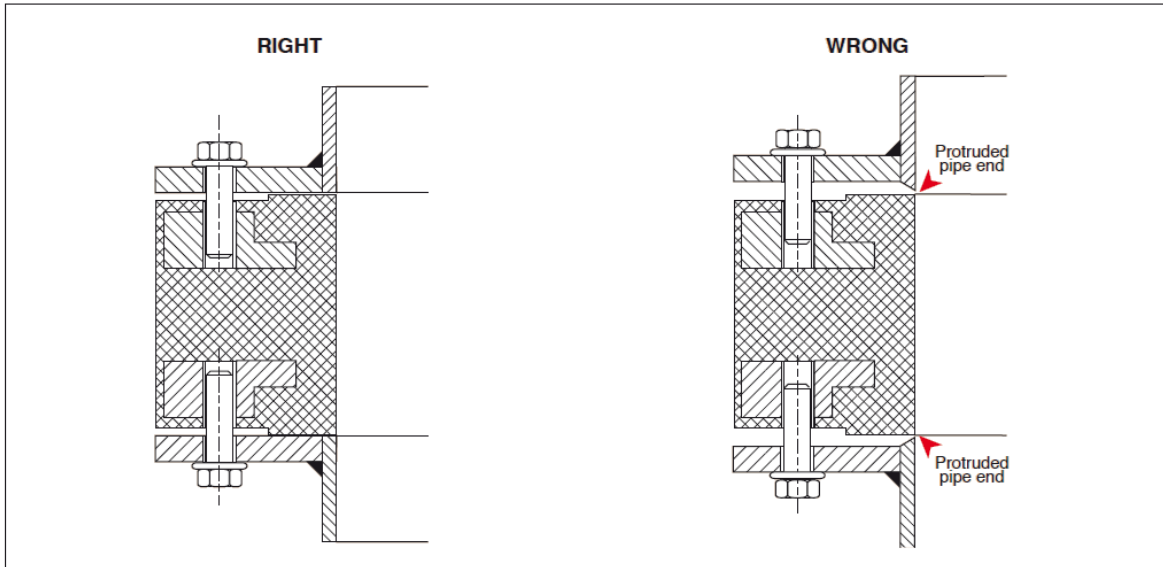


The use of the right mating flanges is important when fix the pipe connector. The flanges must cover the whole of the sealing surface of the pipe connectors.

NOISE REDUCTION SLEEVE PN10

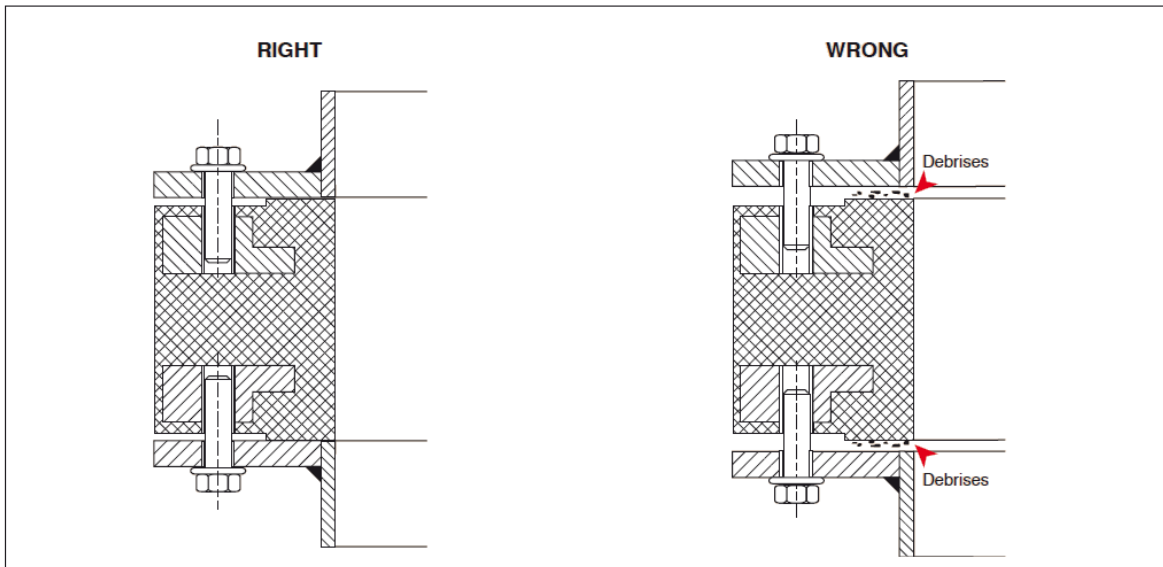
INSTALLATION INSTRUCTION (SUITE) :

INSTALLATION 6



Protruded sharp pipe end shall be strictly avoided as it causes damage on / cut off pipe connector contact surface.

INSTALLATION 7



When mounting the pipe connector, make sure the pipe connector / flange surface is cleared from welding debrises, oil, paint, etc. Particular case shall be taken to ensure the storage area is kept cleaned.