



PIPE CLAMPS HEAVY SERIES

DIN 3015, PART 2

PIPE CLAMPS
HEAVY SERIES

35

CLAMP BODY STANDARD MATERIALS



Polypropylene
Colour **Blue**
Code **PP**

**OTHER COLOURS
AVAILABLE ON DEMAND!**



Polyamide
Colour **Black**
Code **PA**



Rubber Elastomer (for CP1-CP6 only)
Colour **Black**
Code **GM**



Self-extinguishing Polypropylene
Colour **White**
Code **AU**



Aluminium
Colour **Natural**
Code **AL**

DIFFERENT DAMETERS AND MATERIALS AVAILABLE ON REQUEST.

Clamp body internal surface:
smooth (CP1L to CP4 L)
profiled (CP1 to CP10)

For Material Characteristics, see Technical Appendix (page 143).

COMPONENTS AND ACCESSORIES STANDARD MATERIALS

Carbon Steel S 275 JR with finishing surface in white zinc-coated
Fe Zn c8 II.

Untreated are available on request.

Stainless Steel Inox 316L (X2 CrNiMo 17-12-2) 1.4404
marked with X identification code.

The **BBP** track is treated with zinc-coating Fe Zn c8 II.

Metric thread: code **M**
UNC thread: code **UNC**.

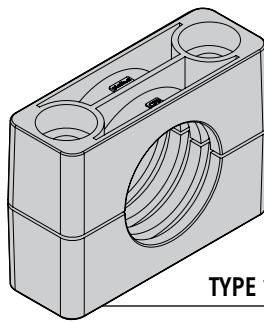
For Material Characteristics, see Technical Appendix (page 143).





CP CLAMP BODY

TWO CLAMP HALVES

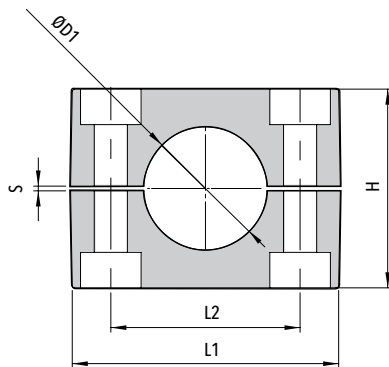


TYPE 1 TO 10

DIN 3015, PART 2
PIPE CLAMPS
HEAVY SERIES

36

Code **CP** (Material PP - PA - GM - AU)
Code **AL CP** (Material AL).



ORDER CODE

CLAMP BODY CODE	OUTSIDE DIAMETER (mm)	MATERIAL
-----------------	-----------------------	----------

EXAMPLE

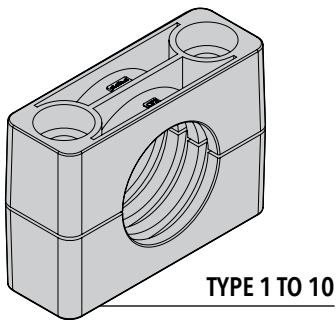
Clamp body type: 4
Material: PP
Outside diameter: 25 mm
Order code: **CP4 - 25 - PP**

Code	Outside Diameter ØD1		L1	L2	H	S	Width
	mm	nominal bore pipe in					
	6						
	6,4	1/4"					
	8						
	9,5	3/8"					
	10	1/8"					
	12						
	12,7	1/2"					
CP1 AL CP1	13,5	1/4"	56 (2.20")	33 (1.30")	33 (1.30")	1 (.04")	30 (1.18")
	14						
	15						
	16	5/8"					
	17,2	3/8"					
	18						
	19	3/4"					
	20						
	19	3/4"					
	20						
	21,3	1/2"					
CP2 AL CP2	22	7/8"	70 (2.76")	45 (1.77")	49 (1.93")	1 (.04")	30 (1.18")
	25						
	25,4	1"					
	26,9	3/4"					
	28						
	30						
	30						
	32	1.1/4"					
	33,7	1"					
	35						
CP3 AL CP3	36		85 (3.35")	60 (2.36")	60 (2.36")	1,2 (.05")	30 (1.18")
	38	1.1/2"					
	40						
	42,4	1.1/4"					
	43						
	45						
	33,7	1"					
	38	1.1/2"					
	40						
	42,4	1.1/4"					
	44,5	1.3/4"					
	45						
	48,3	1.1/2"					
	50						
CP4 AL CP4	50,8	2"	116 (4.56")	90 (3.54")	88 (3.46")	2 (.08")	45 (1.77")
	53						
	54	1.3/4"					
	55						
	56						
	57,2	2.1/4"					
	60,3	2"					
	63,5	2.1/2"					
	65						
	70	2.3/4"					

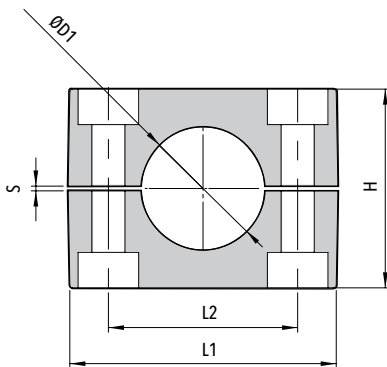


CP CLAMP BODY

TWO CLAMP HALVES



Code CP (Material PP - PA - GM - AU)
Code AL CP (Material AL).



Code	Outside Diameter ØD1		L1	L2	H	S	Width	
	mm	nominal bore pipe in						
	60,3	2"						
	65							
	66	2.1/4"						
	70	2.3/4"						
	73							
CP5 AL CP5	76,1	2.1/2"	3"	155 (6.10")	122 (4.80")	118 (4.65")	2 (.08")	60 (2.36")
	80							
	82,5	3.1/4"						
	85							
	88,9	3"	3.1/2"					
	90							
	88,9	3"	3.1/2"					
	100							
	101,6		4"					
	102	3.1/2"						
	108	4.1/4"						
CP6 AL CP6	110			206 (8.11")	168 (6.61")	165 (6.50")	3 (.12")	80 (3.15")
	114,3	4"	4.1/2"					
	121							
	126,5	4.1/2"						
	127	5"						
	133	5.1/4"						
	127	5"						
	133	5.1/4"						
	140	5"						
	146							
	150			255 (10.04")	205 (8.07")	200 (7.87")	4 (.16")	90 (3.54")
CP7 AL CP7	152	6"						
	154							
	159	6.1/4"						
	165	6.1/2"						
	168	6"						
	168	6"						
	177,8	7"						
	193,7	7.5/8"		320 (12.60")	265 (10.43")	270 (10.63")	4 (.16")	120 (4.72")
CP8 AL CP8	203	8"						
	216	8.1/2"						
	219	8"						
	219	8"						
	273	10"		470 (18.50")	395 (15.55")	410 (16.14")	10 (.4")	160 (6.3")
CP9 AL CP9	324	12"						
	356	14"		640 (25.20")	534 (21.02")	530 (20.87")	20 (.79")	180 (7.08")
CP10 AL CP10	406	16"						

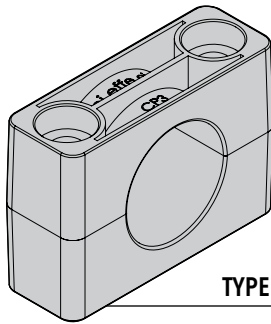


CP L CLAMP BODY

CLAMPS SMOOTH INSIDE
SURFACE WITHOUT
TENSION CLEARANCE

TWO CLAMP HALVES

SUITABLE FOR THE INSTALLATION
OF HOSES OR CABLES

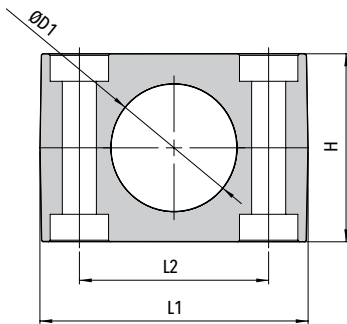


TYPE 1 TO 4

DIN 3015, PART 2
PIPE CLAMPS
HEAVY SERIES

38

Code CP L (Material PP - PA - GM - AU)



ORDER EXAMPLE

CP3 L - 35 - PP

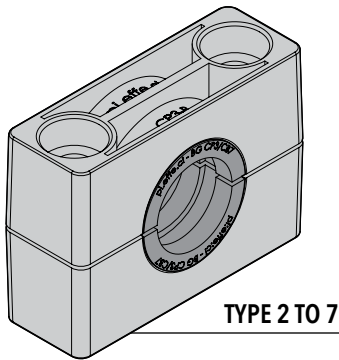
Code	Outside Diameter ØD1		L1	L2	H	Width
	mm	nominal bore pipe in				
CP1 L	6					
	6,4	1/4"				
	8					
	9,5	3/8"				
	10	1/8"				
	12					
	12,7	1/2"				
	13,5	1/4"	56 (2.20")	33 (1.30")	32 (1.26")	30 (1.18")
	14					
	15					
	16	5/8"				
	17,2	3/8"				
18						
19	3/4"					
20						
CP2 L	19	3/4"				
	20					
	21,3	1/2"				
	22	7/8"				
	25		70 (2.76")	45 (1.77")	48 (1.89")	30 (1.18")
	25,4	1"				
	26,9	3/4"				
	28					
	30					
	30					
CP3 L	32	1.1/4"				
	33,7	1"				
	35					
	36		85 (3.35")	60 (2.36")	58,8 (2.31")	30 (1.18")
	38	1.1/2"				
	40					
	42,4	1.1/4"				
	43					
	45					
	45					
CP4 L	33,7	1"				
	38	1.1/2"				
	40					
	42,4	1.1/4"				
	44,5	1.3/4"				
	45					
	48,3	1.1/2"				
	50					
	50,8	2"	116 (4.56")	90 (3.54")	86 (3.39")	45 (1.77")
	53					
	54	1.3/4"				
	55					
	56					
57,2	2.1/4"					
60,3	2"					
63,5	2.1/2"					
65						
70	2.3/4"					



CP B CLAMP BODY

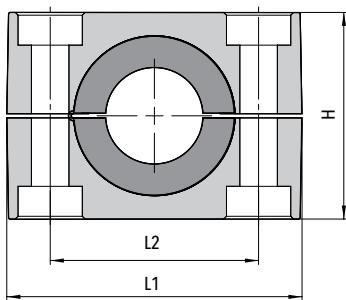
WITH RUBBER BUSHING

TWO CLAMP HALVES



TYPE 2 TO 7

Code CB (Material PP - PA - AU)



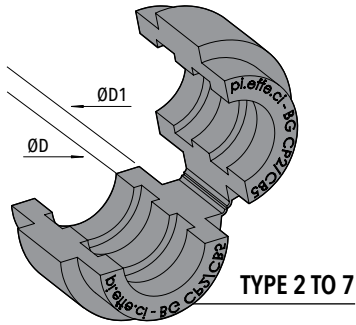
Code	L1	L2	H	Width
CP2 B	70 (2.76")	45 (1.77")	49 (1.93")	30 (1.18")
CP3 B	85 (3.35")	60 (2.36")	60 (2.36")	30 (1.18")
CP4 B	116 (4.56")	90 (3.54")	88 (3.46")	45 (1.77")
CP5 B	155 (6.10")	122 (4.80")	118 (4.65")	60 (2.36")
CP6 B	206 (8.11")	168 (6.61")	165 (6.50")	80 (3.15")
CP7 B	255 (10.04")	205 (8.07")	200 (7.87")	90 (3.54")

ORDER EXAMPLE

CP3 B - PP



BG RUBBER BUSHING



DIN 3015, PART 2
PIPE CLAMPS
HEAVY SERIES

40

Code BG (Material GM)

ORDER EXAMPLE

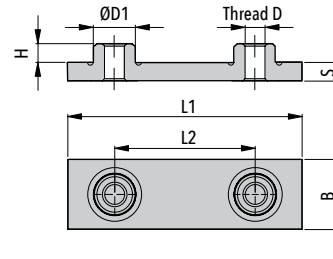
BG CP3 B - 25

Code	Outside Diameter ØD		ØD1	Width
	mm	nominal bore pipe in		
	6			
	8	5/16"		
	10	1/8"		
	12			
	12,7	1/2"		
BG CP2 B	14		25 (.98")	30 (1.18")
	15			
	16	5/8"		
	17,2	3/8"		
	18			
	19	3/4"		
BG CP3 B	20			
	21,3	1/2"		
	22	7/8"		
	25		38 (1.50")	30 (1.18")
	26,9	3/4"		
	28			
	30			
	32	1.1/4"		
	28			
	30			
	32	1.1/4"		
	33,7	1"		
	35			
BG CP4 B	38,7	1.1/2"		
	40		64 (2.52")	45 (1.77")
	42,4	1.1/4"		
	45,5			
	48,3	1.1/2"		
	51	2"		
	53,4			
	56,4			
BG CP5 B	55			
	57,2	2.1/4"		
	58			
	60,3	2"		
	63,5	2.1/2"		
	65		88 (3.56")	60 (2.36")
	70	2.3/4"		
	72			
	73			
	75			
	76,1	2.1/2"	3"	
	75			
	80			
	85			
BG CP6 B	90	3"	114 (4.49")	80 (3.15")
	100			
	102	3.1/2"		
	103			
BG CP7 B	114,3	4"	4.1/2"	
	133	5.1/4"	150 (5.91")	90 (3.54")
	140	5"		

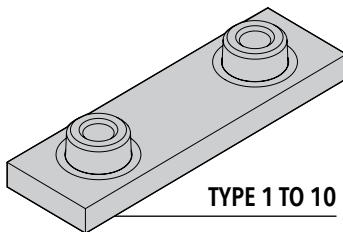




P CP SINGLE WELD PLATE



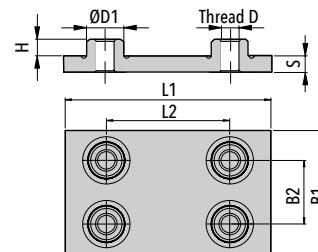
Code	L1	L2	B	S	H	Thread D	ØD1
P CP1 XP CP1	74 (2.91")	33 (1.30")	30 (1.18")	8 (.31")	8 (.31")	M10 (3/8-16 UNC)	18 (.71")
P CP2 XP CP2	86 (3.39")	45 (1.77")	30 (1.18")	8 (.31")	8 (.31")	M10 (3/8-16 UNC)	18 (.71")
P CP3 XP CP3	100 (3.94")	60 (2.36")	30 (1.18")	8 (.31")	8 (.31")	M10 (3/8-16 UNC)	18 (.71")
P CP4 XP CP4	140 (5.51")	90 (3.54")	45 (1.77")	10 (.39")	8 (.31")	M12 (7/16-14 UNC)	20 (.78")
P CP5 XP CP5	180 (7.09")	122 (4.80")	60 (2.36")	10 (.39")	12 (.47")	M16 (5/8-11 UNC)	24 (.94")
P CP6 XP CP6	226 (8.90")	168 (6.61")	80 (3.15")	15 (.59")	17 (.67")	M20 (3/4-10 UNC)	30 (1.18")
P CP7 XP CP7	270 (10.63")	205 (8.07")	90 (3.54")	15 (.59")	21 (.83")	M24 (7/8-9 UNC)	35 (1.38")
P CP8 XP CP8	340 (13.39")	265 (10.43")	120 (4.72")	25 (.98")	21 (.83")	M30 (1-1/8-7 UNC)	45 (1.77")
P CP9 XP CP9	520 (20.47")	395 (15.55")	160 (6.30")	30 (1.18")	38 (1.50")	M30 (1-1/4-7 UNC)	50 (1.97")
P CP10 XP CP10	680 (27.16")	534 (21.02")	180 (7.09")	30 (1.18")	38 (1.5")	M30 (1-1/4-7 UNC)	50 (1.97")



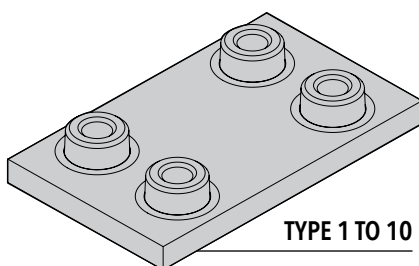
TYPE 1 TO 10

Code P CP (Carbon Steel S 275 JR)
Code XP CP (Stainless Steel AISI 316L).

CDP CP DOUBLE WELD PLATE



Code	L1	L2	B1	B2	S	H	Thread D	ØD1
CDP CP1 XCDP CP1	74 (2.91")	33 (1.30")	60 (2.36")	31 (1.22")	8 (.31")	8 (.31")	M10 (3/8-16 UNC)	18 (.71")
CDP CP2 XCDP CP2	86 (3.39")	45 (1.77")	60 (2.36")	31 (1.22")	8 (.31")	8 (.31")	M10 (3/8-16 UNC)	18 (.71")
CDP CP3 XCDP CP3	100 (3.94")	60 (2.36")	60 (2.36")	31 (1.22")	8 (.31")	8 (.31")	M10 (3/8-16 UNC)	18 (.71")
CDP CP4 XCDP CP4	140 (5.51")	90 (3.54")	90 (3.54")	46 (1.81")	10 (.39")	8 (.31")	M12 (7/16-14 UNC)	20 (.78")
CDP CP5 XCDP CP5	180 (7.09")	122 (4.80")	120 (4.72")	61 (2.40")	10 (.39")	12 (.47")	M16 (5/8-11 UNC)	24 (.94")
CDP CP6 XCDP CP6	226 (8.90")	168 (6.61")	160 (6.61")	81 (3.19")	15 (.59")	17 (.67")	M20 (3/4-10 UNC)	30 (1.18")
CDP CP7 XCDP CP7	270 (10.63")	205 (8.07")	180 (7.09")	91 (3.58")	15 (.59")	21 (.83")	M24 (7/8-9 UNC)	35 (1.38")
CDP CP8 XCDP CP8	340 (13.39")	265 (10.43")	240 (9.45")	121 (4.78")	25 (.98")	21 (.83")	M30 (1-1/8-7 UNC)	45 (1.77")
CDP CP9 XCDP CP9	520 (20.47")	395 (15.55")	320 (12.60")	166 (6.54")	30 (1.18")	38 (1.50")	M30 (1-1/4-7 UNC)	50 (1.97")
CDP CP10 XCDP CP10	680 (27.16")	534 (21.02")	360 (14.17")	186 (7.32")	30 (1.18")	38 (1.50")	M30 (1-1/4-7 UNC)	50 (1.97")

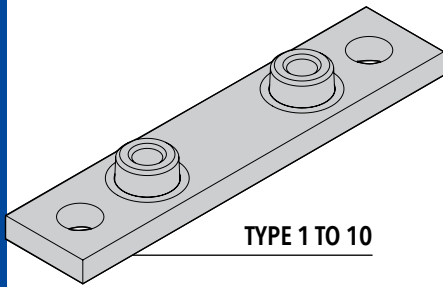
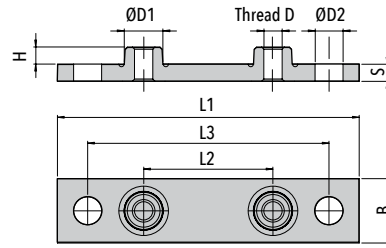


TYPE 1 TO 10

Code CDP CP (Carbon Steel S 275 JR)
Code XCDP CP (Stainless Steel AISI 316L).



PL CP ELONGATED SINGLE WELD PLATE (WITH SCREW)



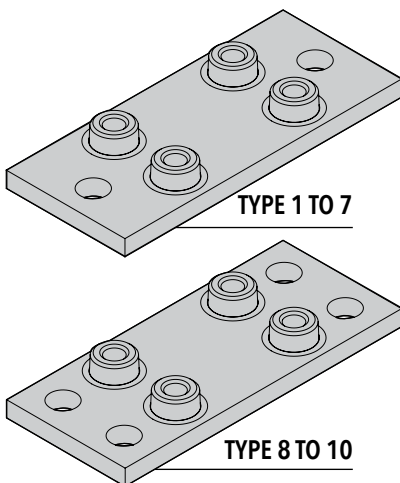
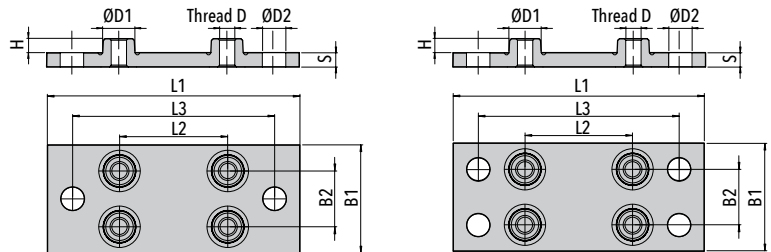
Code PL CP (Carbon Steel S 275 JR)
Code XPL CP (Stainless Steel AISI 316L).

Code	L1	L2	L3	B	S	H	Thread D	ØD1	ØD2
PL CP1 XPL CP1	113 (4.45")	33 (1.30")	85 (3.35")	30 (1.18")	8 (.31")	8 (.31")	M10 (3/8-16 UNC)	18 (.71")	13 (.51")
PL CP2 XPL CP2	125 (4.92")	45 (1.77")	97 (3.82")	30 (1.18")	8 (.31")	8 (.31")	M10 (3/8-16 UNC)	18 (.71")	13 (.51")
PL CP3 XPL CP3	140 (5.51")	60 (2.36")	112 (4.41")	30 (1.18")	8 (.31")	8 (.31")	M10 (3/8-16 UNC)	18 (.71")	13 (.51")
PL CP4 XPL CP4	187 (7.36")	90 (3.54")	155 (6.10")	45 (1.77")	10 (.39")	8 (.31")	M12 (7/16-14 UNC)	20 (.79")	16 (.63")
PL CP5 XPL CP5	238 (9.37")	122 (4.80")	198 (7.80")	60 (2.36")	10 (.39")	12 (.47")	M16 (5/8-11 UNC)	24 (.94")	21 (.83")
PL CP6 XPL CP6	309 (12.17")	168 (6.61")	259 (10.2")	80 (3.15")	15 (.59")	17 (.67")	M20 (3/4-10 UNC)	30 (1.18")	26 (1.02")
PL CP7 XPL CP7	370 (14.57")	205 (8.07")	310 (12.20")	90 (3.54")	15 (.59")	21 (.83")	M24 (7/8-9 UNC)	35 (1.38")	31 (1.22")
PL CP8 XPL CP8	440 (17.32")	265 (10.43")	380 (14.96")	120 (4.72")	25 (.98")	21 (.83")	M30 (1-1/8-7 UNC)	45 (1.77")	31 (1.22")
PL CP9 XPL CP9	590 (23.23")	395 (15.55")	530 (20.87")	160 (6.30")	30 (1.18")	38 (1.50")	M30 (1-1/4-7 UNC)	50 (1.97")	31 (1.22")
PL CP10 XPL CP10	750 (29.53")	534 (21.02")	690 (27.17")	180 (7.09")	30 (1.18")	38 (1.50")	M30 (1-1/4-7 UNC)	50 (1.97")	31 (1.22")

DIN 3015, PART 2

PIPE CLAMPS
HEAVY SERIES

CDPL CP ELONGATED DOUBLE WELD PLATE (WITH SCREW)

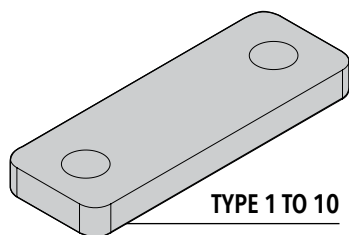
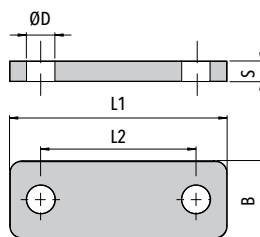


Code CDPL CP (Carbon Steel S 275 JR)
Code XCDPL CP (Stainless Steel AISI 316L).

Code	L1	L2	L3	B1	B2	S	H	Thread D	ØD1	ØD2
CDPL CP1 XCDPL CP1	113 (4.45")	33 (1.30")	85 (3.35")	60 (2.36")	31 (1.22")	8 (.31")	8 (.31")	M10 (3/8-16 UNC)	18 (.71")	13 (.51")
CDPL CP2 XCDPL CP2	125 (4.92")	45 (1.77")	97 (3.82")	60 (2.36")	31 (1.22")	8 (.31")	8 (.31")	M10 (3/8-16 UNC)	18 (.71")	13 (.51")
CDPL CP3 XCDPL CP3	140 (5.51")	60 (2.36")	112 (4.41")	60 (2.36")	31 (1.22")	8 (.31")	8 (.31")	M10 (3/8-16 UNC)	18 (.71")	13 (.51")
CDPL CP4 XCDPL CP4	187 (7.36")	90 (3.54")	155 (6.10")	90 (3.54")	46 (1.81")	10 (.39")	8 (.31")	M12 (7/16-14 UNC)	20 (.79")	16 (.62")
CDPL CP5 XCDPL CP5	238 (9.37")	122 (4.80")	198 (7.80")	120 (4.72")	61 (2.40")	10 (.39")	12 (.47")	M16 (5/8-11 UNC)	24 (.94")	21 (.83")
CDPL CP6 XCDPL CP6	309 (12.17")	168 (6.61")	259 (10.20")	160 (6.61")	81 (3.19")	15 (.59")	17 (.67")	M20 (3/4-10 UNC)	30 (1.18")	26 (1.02")
CDPL CP7 XCDPL CP7	370 (14.57")	205 (8.07")	310 (12.20")	180 (7.09")	91 (3.58")	15 (.59")	21 (.83")	M24 (7/8-9 UNC)	35 (1.38")	31 (1.22")
CDPL CP8 XCDPL CP8	440 (17.32")	265 (10.43")	380 (14.96")	240 (9.45")	121 (4.78")	25 (.98")	21 (.83")	M30 (1-1/8-7 UNC)	45 (1.77")	31 (1.22")
CDPL CP9 XCDPL CP9	590 (23.23")	395 (15.55")	530 (20.87")	320 (12.60")	166 (6.54")	30 (1.18")	38 (1.50")	M30 (1-1/4-7 UNC)	50 (1.97")	31 (1.22")
CDPL CP10 XCDPL CP10	750 (29.53")	534 (21.02")	690 (27.17")	360 (14.17")	186 (7.32")	30 (1.18")	38 (1.50")	M30 (1-1/4-7 UNC)	50 (1.97")	31 (1.22")



PS CP UPPER PLATE

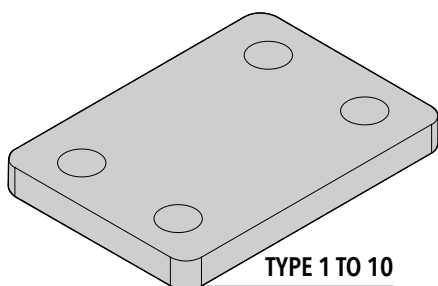
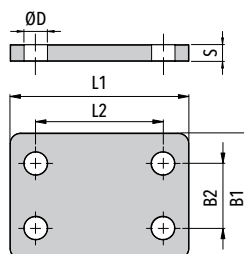


TYPE 1 TO 10

Code PS CP (Carbon Steel S 275 JR)
Code XPS CP (Stainless Steel AISI 316L).

Code	L1	L2	B	S	ØD1
PS CP1 XPS CP1	56 (2.20")	33 (1.30")	30 (1.18")	8 (.31")	11 (.43")
PS CP2 XPS CP2	70 (2.76")	45 (1.77")	30 (1.18")	8 (.31")	11 (.43")
PS CP3 XPS CP3	85 (3.35")	60 (2.36")	30 (1.18")	8 (.31")	11 (.43")
PS CP4 XPS CP4	115 (4.53")	90 (3.54")	45 (1.77")	10 (.39")	14 (.55")
PS CP5 XPS CP5	152 (5.98")	122 (4.80")	60 (2.36")	10 (.39")	18 (.71")
PS CP6 XPS CP6	205 (8.07")	168 (6.61")	80 (3.15")	15 (.59")	22 (.87")
PS CP7 XPS CP7	251 (9.88")	205 (8.07")	90 (3.54")	15 (.59")	26 (1.02")
PS CP8 XPS CP8	320 (12.60")	265 (10.43")	120 (4.72")	25 (.98")	32 (1.26")
PS CP9 XPS CP9	470 (18.50")	395 (15.55")	160 (6.30")	30 (1.18")	32 (1.26")
PS CP10 XPS CP10	630 (24.80")	534 (21.02")	180 (7.09")	30 (1.18")	35 (1.38")

CDPS CP DOUBLE UPPER PLATE



TYPE 1 TO 10

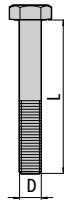
Code CDPS CP (Carbon Steel S 275 JR)
Code XCDPS CP (Stainless Steel AISI 316L).

Code	L1	L2	B1	B2	S	ØD
CDPS CP1 XCDPS CP1	56 (2.20")	33 (1.30")	60 (2.36")	31 (1.22")	8 (.31")	11 (.43")
CDPS CP2 XCDPS CP2	70 (2.76")	45 (1.77")	60 (2.36")	31 (1.22")	8 (.31")	11 (.43")
CDPS CP3 XCDPS CP3	85 (3.35")	60 (2.36")	60 (2.36")	31 (1.22")	8 (.31")	11 (.43")
CDPS CP4 XCDPS CP4	115 (4.53")	90 (3.54")	90 (3.54")	46 (1.81")	10 (.39")	14 (.55")
CDPS CP5 XCDPS CP5	152 (5.98")	122 (4.80")	120 (4.72")	61 (2.40")	10 (.39")	18 (.71")
CDPS CP6 XCDPS CP6	205 (8.07")	168 (6.61")	160 (6.61")	81 (3.19")	15 (.59")	22 (.87")
CDPS CP7 XCDPS CP7	251 (9.88")	205 (8.07")	180 (7.09")	91 (3.58")	15 (.59")	26 (1.02")
CDPS CP8 XCDPS CP8	320 (12.60")	265 (10.43")	240 (9.45")	121 (4.78")	25 (.98")	32 (1.26")
CDPS CP9 XCDPS CP9	470 (18.50")	395 (15.55")	320 (12.60")	166 (6.54")	30 (1.18")	32 (1.26")
CDPS CP10 XCDPS CP10	630 (24.80")	534 (21.02")	361 (14.21")	186 (7.32")	30 (1.18")	35 (1.38")

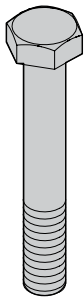


TE CP HEXAGON HEAD BOLT

ISO 4014 / 4017
 FOR UPPER PLATE PS CP



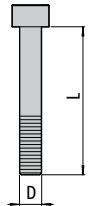
Code	DxL
TE CP1 XTE CP1	M10x45 (3/8-16 UNCx1-3/4")
TE CP2 XTE CP2	M10x60 (3/8-16 UNCx2-1/4")
TE CP3 XTE CP3	M10x70 (3/8-16 UNCx2-3/4")
TE CP4 XTE CP4	M12x100 (7/16-14 UNCx4")
TE CP5 XTE CP5	M16x130 (5/8-11 UNCx5-1/4")
TE CP6 XTE CP6	M20x190 (3/4-10 UNCx7-1/2")
TE CP7 XTE CP7	M24x220 (7/8-9 UNCx8-3/4")
TE CP8 XTE CP8	M30x300 (1-1/8-7 UNCx12")
TE CP9 XTE CP9	M30x450 (1-1/4-7 UNCx17-1/2")
TE CP10 XTE CP10	M30x560 (1-1/4-7 UNCx22")



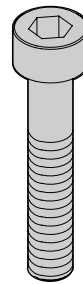
Code TE CP (Steel 8.8)
 Code XTE CP (Stainless Steel A4)

TCEI CP SOCKET CAP SCREW

ISO 4762



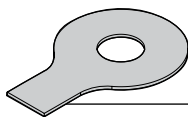
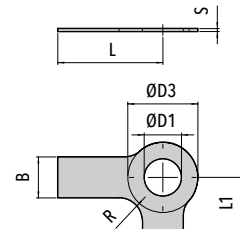
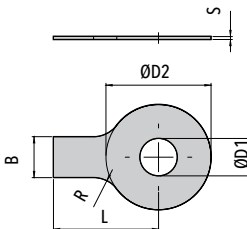
Code	DxL
TCEI CP1 XTCEI CP1	M10x30 (3/8-16 UNC x1")
TCEI CP2 XTCEI CP2	M10x40 (3/8-16 UNC x1-3/4")
TCEI CP3 XTCEI CP3	M10x50 (3/8-16 UNC x2")
TCEI CP4 XTCEI CP4	M12x80 (7/16-14 UNCx3-1/4")



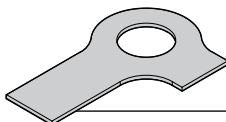
Code TCEI CP (Steel 8.8)
 Code XTCEI CP (Stainless Steel A4)

RS CP SAFETY WASHER

FOR USE WITH HEXAGON HEAD BOLT
 TE CP / XTE CP



DIN 93



DIN 463

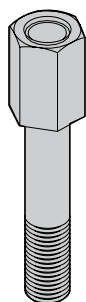
Code RS CP (Carbon Steel S 235 JR)
 Code XRS CP (Stainless Steel A4)

Code	ØD1	B	ØD2	ØD3	L	L1	R	S
RS CP1 XRS CP1	10,5 (.41")	10 (.39")	26 (1.02")	21 (.83")	22 (.87")	13 (.51")	4 (.16")	1 (.04")
RS CP2 XRS CP2	10,5 (.41")	10 (.39")	26 (1.02")	21 (.83")	22 (.87")	13 (.51")	4 (.16")	1 (.04")
RS CP3 XRS CP3	10,5 (.41")	10 (.39")	26 (1.02")	21 (.83")	22 (.87")	13 (.51")	4 (.16")	1 (.04")
RS CP4 XRS CP4	13 (.51")	12 (.47")	30 (1.18")	24 (.94")	28 (1.10")	15 (.59")	6 (.24")	1 (.04")
RS CP5 XRS CP5	17 (.67")	15 (.59")	36 (1.42")	30 (1.18")	32 (1.26")	18 (.71")	6 (.24")	1 (.04")
RS CP6 XRS CP6	21 (.83")	18 (.71")	42 (1.65")	37 (1.46")	36 (1.42")	21 (.83")	6 (.24")	1 (.04")
RS CP7 XRS CP7	25 (.98")	20 (.79")	50 (1.97")	44 (1.73")	42 (1.65")	25 (.98")	6 (.24")	1 (.04")
RS CP8 XRS CP8	31 (1.22")	26 (1.02")	63 (2.48")	56 (2.20")	52 (2.05")	32 (1.26")	10 (.39")	1,6 (.06")
RS CP9 XRS CP9	31 (1.22")	26 (1.02")	63 (2.48")	56 (2.20")	52 (2.05")	32 (1.26")	10 (.39")	1,6 (.06")
RS CP10 XRS CP10	31 (1.22")	26 (1.02")	63 (2.48")	56 (2.20")	52 (2.05")	32 (1.26")	10 (.39")	1,6 (.06")

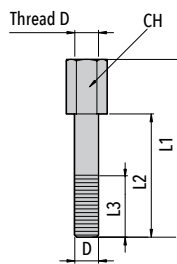


VA CP HIGH HEXAGON HEAD BOLT

FOR STACKED CLAMPS



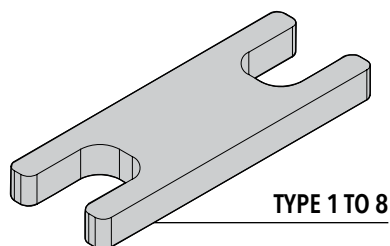
Code **VA CP** (Carbon Steel S 235 JR)
Code **XVA CP** (Stainless Steel AISI 316L)



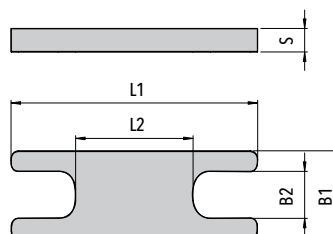
Code	Thread D	L1	L2	L3	CH
VA CP1 XVA CP1	M10 (3/8-16 UNC)	49 (1.93")	25 (.98")	18 (.71")	15 (.59")
VA CP2 XVA CP2	M10 (3/8-16 UNC)	65 (2.56")	40 (1.57")	18 (.71")	15 (.59")
VA CP3 XVA CP3	M10 (3/8-16 UNC)	77 (3.03")	51 (2.01")	18 (.71")	15 (.59")
VA CP4 XVA CP4	M12 (7/16-14 UNC)	110 (4.33")	82 (3.23")	25 (.98")	17 (.67")
VA CP5 XVA CP5	M16 (5/8-11 UNC)	144 (5.67")	110 (4.33")	25 (.98")	21 (.83")
VA CP6 XVA CP6	M20 (3/4-10 UNC)	200 (7.87")	150 (5.91")	40 (1.57")	27 (1.06")
VA CP7 XVA CP7	M24 (7/8-9 UNC)	240 (9.45")	180 (7.09")	50 (1.97")	30 (1.18")
VA CP8 XVA CP8	M30 (1-1/8-7 UNC)	331 (13.03")	256 (10.08")	60 (2.36")	46 (1.81")

PB CP LOCKING PLATE

FOR STACKED CLAMPS



Code **PB CP** (Carbon Steel S 275 JR)
Code **XPB CP** (Stainless Steel AISI 316L)

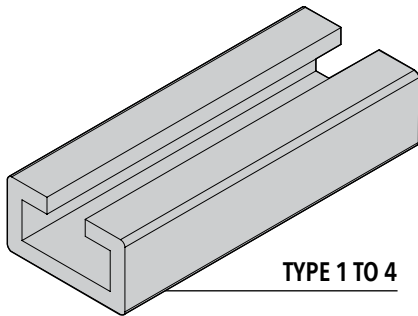
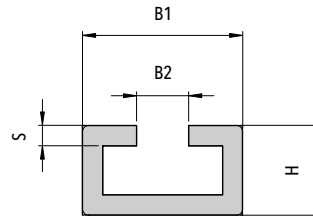


Code	L1	L2	B1	B2	S
PB CP1 XPB CP1	57 (2.24")	13 (.51")	30 (1.18")	16 (.63")	8 (.31")
PB CP2 XPB CP2	70 (2.76")	26 (1.02")	30 (1.18")	16 (.63")	8 (.31")
PB CP3 XPB CP3	84 (3.30")	40 (1.57")	30 (1.18")	16 (.63")	8 (.31")
PB CP4 XPB CP4	114 (4.49")	66 (2.60")	45 (1.77")	18 (.71")	10 (.39")
PB CP5 XPB CP5	151 (5.94")	95 (3.74")	60 (2.36")	22 (.87")	10 (.39")
PB CP6 XPB CP6	204 (8.03")	132 (5.20")	80 (3.15")	28 (1.10")	15 (.59")
PB CP7 XPB CP7	250 (9.84")	166 (6.54")	90 (3.54")	31 (1.22")	15 (.59")
PB CP8 XPB CP8	310 (12.20")	210 (8.27")	120 (4.72")	47 (1.85")	25 (.98")



BB P MOUNTING HEAVY RAIL

AVAILABLE LENGTHS 1 m / 2 m



TYPE 1 TO 4

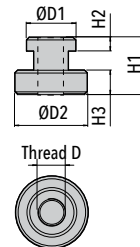
Code **BB P** (Carbon Steel S 235 JR)
Code **XBB P** (Stainless Steel AISI 316L)

Code	B1	B2	H	S
BB P XBB P	40 (1.57")	13 (.51")	22 (.86")	5 (.19")

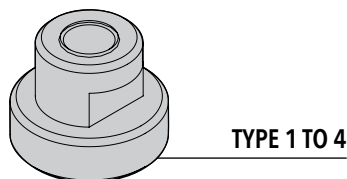
46

DF P+AG RAIL NUT WITH RUBBER RING

FOR MOUNTING HEAVY RAIL



AG



TYPE 1 TO 4

Code **DF P** (Carbon Steel S 235 JR)
Code **XDF P** (Stainless Steel AISI 316L)

Code	ØD1	ØD2	H1	H2	H3	Thread D	AG
------	-----	-----	----	----	----	----------	----

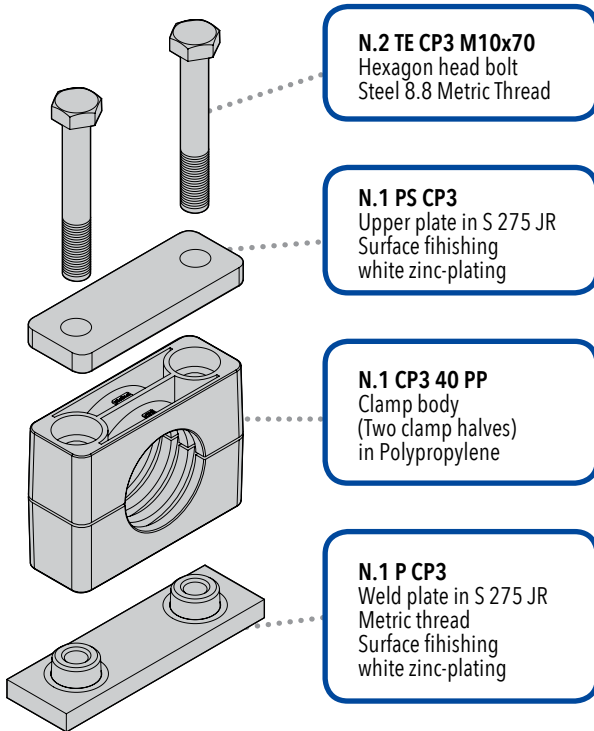
DF1-3 P XDF1-3 P + AG	17,7 (.70")	22 (.87")	21 (.83")	6,6 (.26")	7,4 (.29")	M10 (3/8-16 UNC)	15x2,62 (.59"x.10")
---	----------------	--------------	--------------	---------------	---------------	---------------------	------------------------

DF4 P XDF4 P + AG	18,8 (.74")	26 (1,02")	23 (.90")	7 (.27")	8 (.35")	M12 (7/16-14 UNC)	15x2,62 (.59"x.10")
---	----------------	---------------	--------------	-------------	-------------	----------------------	------------------------



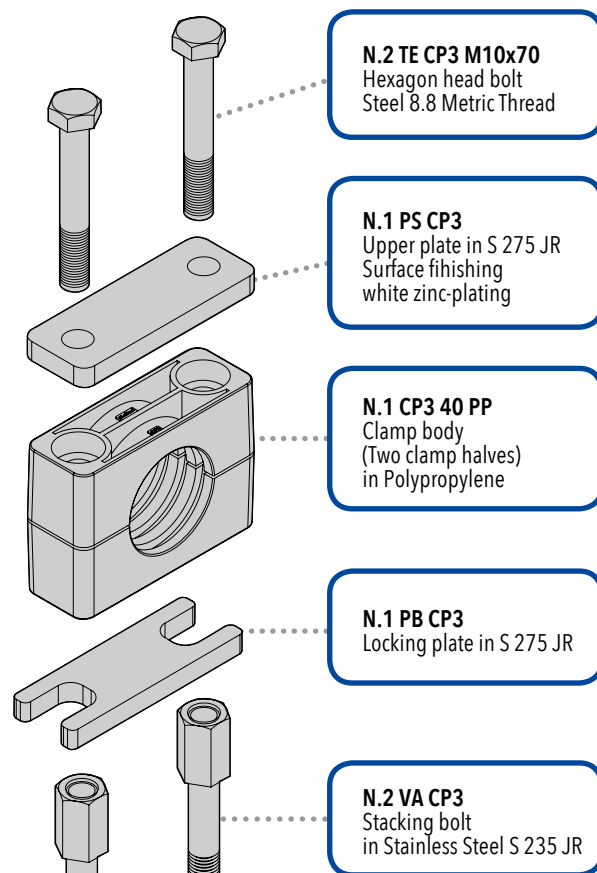
MOUNTING EXAMPLE 01

Mounting Example of complete clamp CP3 in Polypropylene for pipe with outside diameter of 40 mm with single weld plate and upper plate.



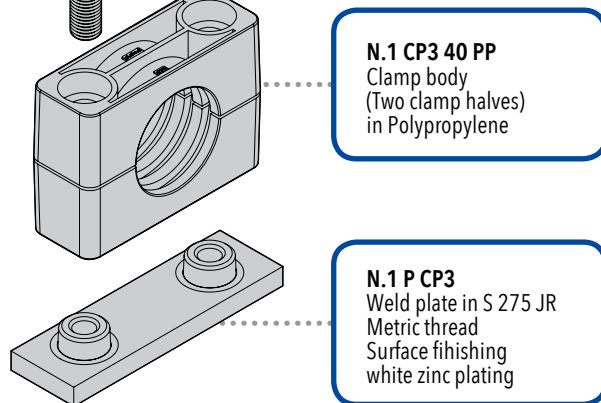
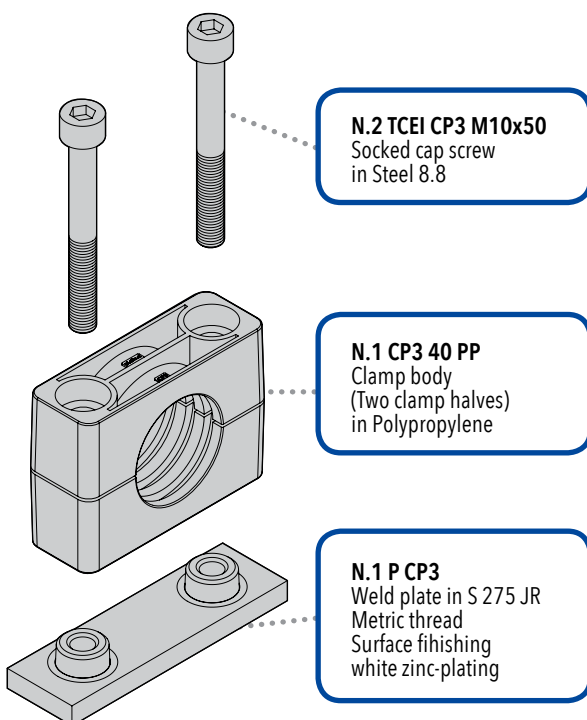
MOUNTING EXAMPLE 02

Complete stacked clamp CP3 in Polypropylene for pipe with outside diameter of 40 mm with single weld plate and upper plate.



MOUNTING EXAMPLE 03

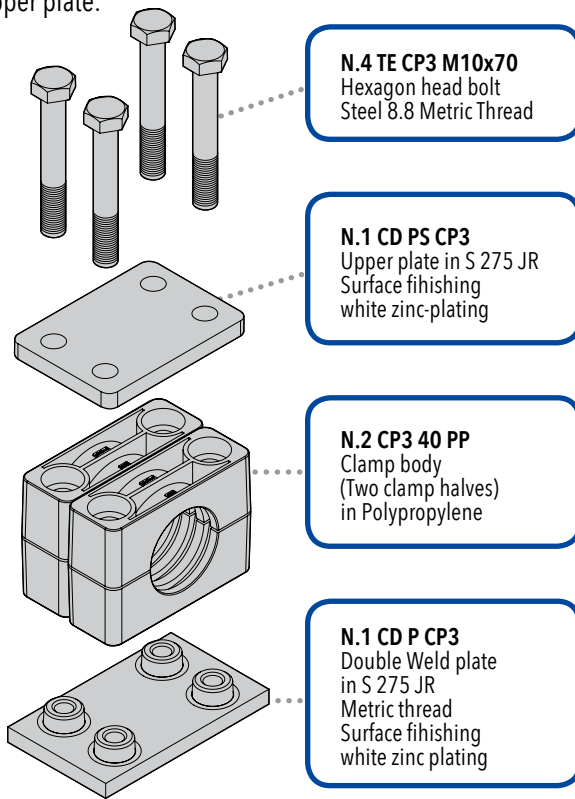
Mounting Example of complete clamp CP3 in Polypropylene for pipe with outside diameter of 40 mm with single weld plate.





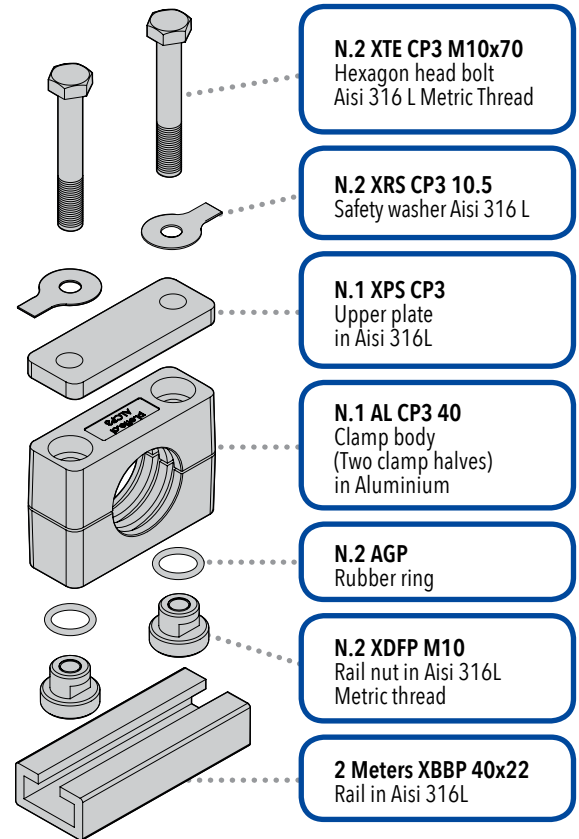
MOUNTING EXAMPLE 04

Mounting Example of complete clamp CP3 in Polypropylene for pipe with outside diameter of 40 mm with double weld plate and double upper plate.



MOUNTING EXAMPLE 05

Mounting Example of complete clamp CP3 in Aluminium for pipe with outside diameter of 40 mm, mounting rail nut.



MOUNTING EXAMPLE 06

Mounting Example of complete clamp CP3-B in Polypropylene with rubber bushing for pipe with outside diameter of 25 mm, with single weld plate and upper plate.

