

BIDIRECTIONAL TIGHTNESS GATE VALVE PN10 S-GATE



Certificate 3.1

Size : DN 50 to DN 500
Ends : Between flanges PN10
Min Temperature : -15°C for EPDM seat
Max Temperature : + 130°C for EPDM seat
Max Pressure : 10 Bars up to DN 200
Specifications : Non rising stem and handwheel
Bidirectional tightness
Weak head loss

Materials : Cast iron body

BIDIRECTIONAL TIGHTNESS GATE VALVE PN10 S-GATE

SPECIFICATIONS :

- Opened or closed valve
- Non rising stem and handwheel
- Bidirectional tightness
- Weak head loss
- Between flanges PN10
- Full crossing threaded lower holes and blind threaded top holes
- With handwheel
- With lever or chain handwheel (option)
- 50% epoxy 50% polyester painting blue colour RAL 5005, 150 µm thickness

USE :

- Water, water treatment, chemical pulp, powders, food industry, chemistry
- Min and max Temperature Ts : - 15°C to + 130°C for valve with **EPDM** seat **Ref.177**
- Min and max Temperature Ts : - 10°C to + 180°C for valve with **FKM** seat (on request)

MAX PRESSURE :

| DN | 50 | 65 | 80 | 100 | 125 | 150 | 200 | 250 | 300 | 350 | 400 | 450 | 500 |
|-----------|----|----|----|-----|-----|-----|-----|-----|-----|-----|-----|-----|-----|
| Ps (Bars) | 10 | 10 | 10 | 10 | 10 | 10 | 10 | 8 | 6 | 4 | 4 | 3 | 3 |

MIN AND MAX SEAT TEMPERATURES WITH REFERENCES :

| SEAT | TEMPERATURE | DN 50 | DN 65 | DN 80 | DN 100 | DN 125 | DN 150 | DN 200 | DN 250 | DN 300 |
|------|-----------------|---------|---------|---------|---------|---------|---------|---------|---------|---------|
| NBR | -10°C to +90°C | 9802240 | 9802241 | 9802242 | 9802243 | 9802244 | 9802245 | 9802246 | 9802247 | 9802248 |
| EPDM | -15°C to +130°C | 9802260 | 9802261 | 9802262 | 9802263 | 9802264 | 9802265 | 9802266 | 9802267 | 9802268 |
| FKM | -10°C to +180°C | 9802280 | 9802281 | 9802282 | 9802283 | 9802284 | 9802285 | 9802286 | 9802287 | 9802288 |

| SEAT | TEMPERATURE | DN 350 | DN 400 | DN 450 | DN 500 |
|------|-----------------|---------|---------|---------|---------|
| NBR | -10°C to +90°C | 9802249 | 9802250 | 9802251 | 9802252 |
| EPDM | -15°C to +130°C | 9802269 | 9802270 | 9802271 | 9802272 |
| FKM | -10°C to +180°C | 9802289 | 9802290 | 9802291 | 9802292 |

BIDIRECTIONAL TIGHTNESS GATE VALVE PN10 S-GATE

RANGE :



- Between flanges PN10, Cast iron body, SS 304 gate , EPDM seat, with handwheel **Ref. 177** from DN 50 to DN 500



- Between flanges PN10 Cast iron body, SS 304 gate , EPDM seat, with handwheel, with limit switch for opened position **Ref. 177051 to 177401** from DN 50 to DN 400



- Chain handwheel (on request)
 - **Ref. 9801796** from DN 50 to DN 150
 - **Ref. 9801797** from DN 200 to DN 300
 - **Ref. 9801798** from DN 350 to DN 500



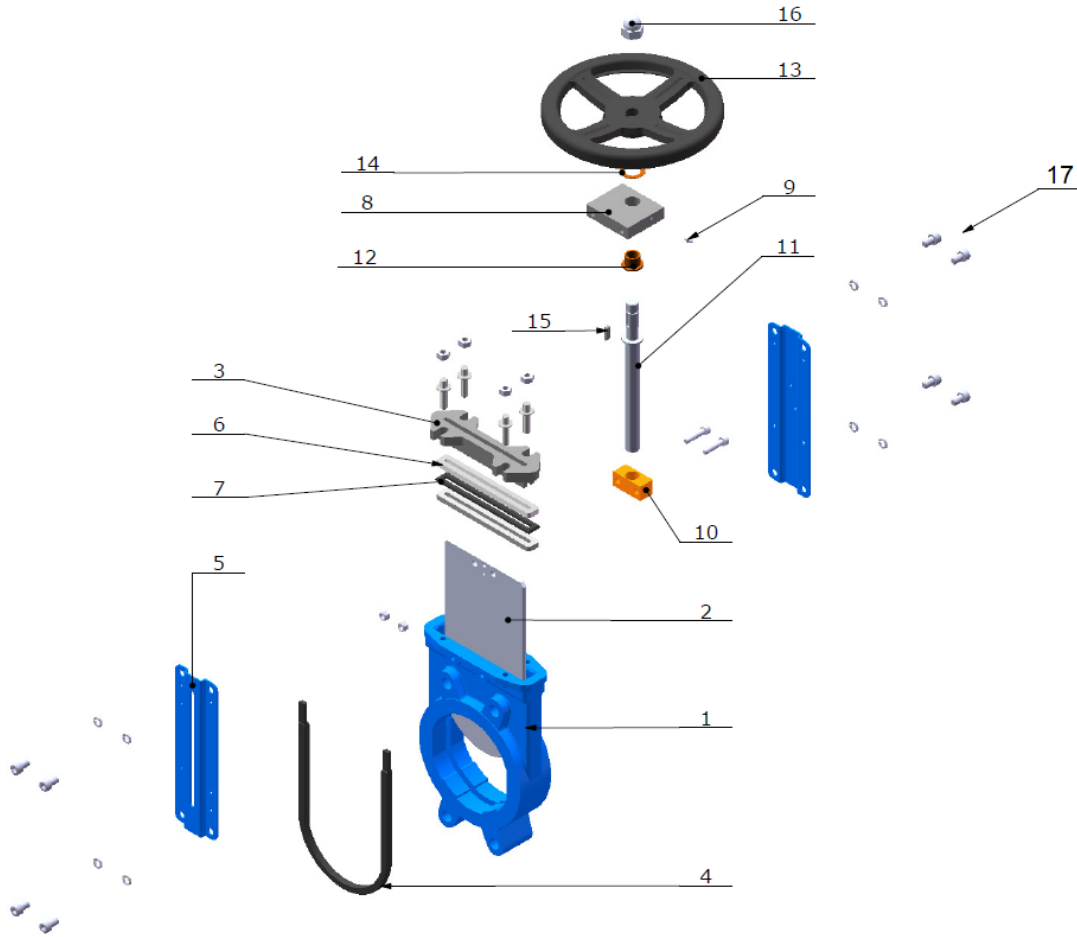
- Chain (per meter) **Ref. 9801795**



- Stainless steel support with bolting **Ref. 9802001 to 9802011** from DN 50 to DN 400

BIDIRECTIONAL TIGHTNESS GATE VALVE PN10 S-GATE

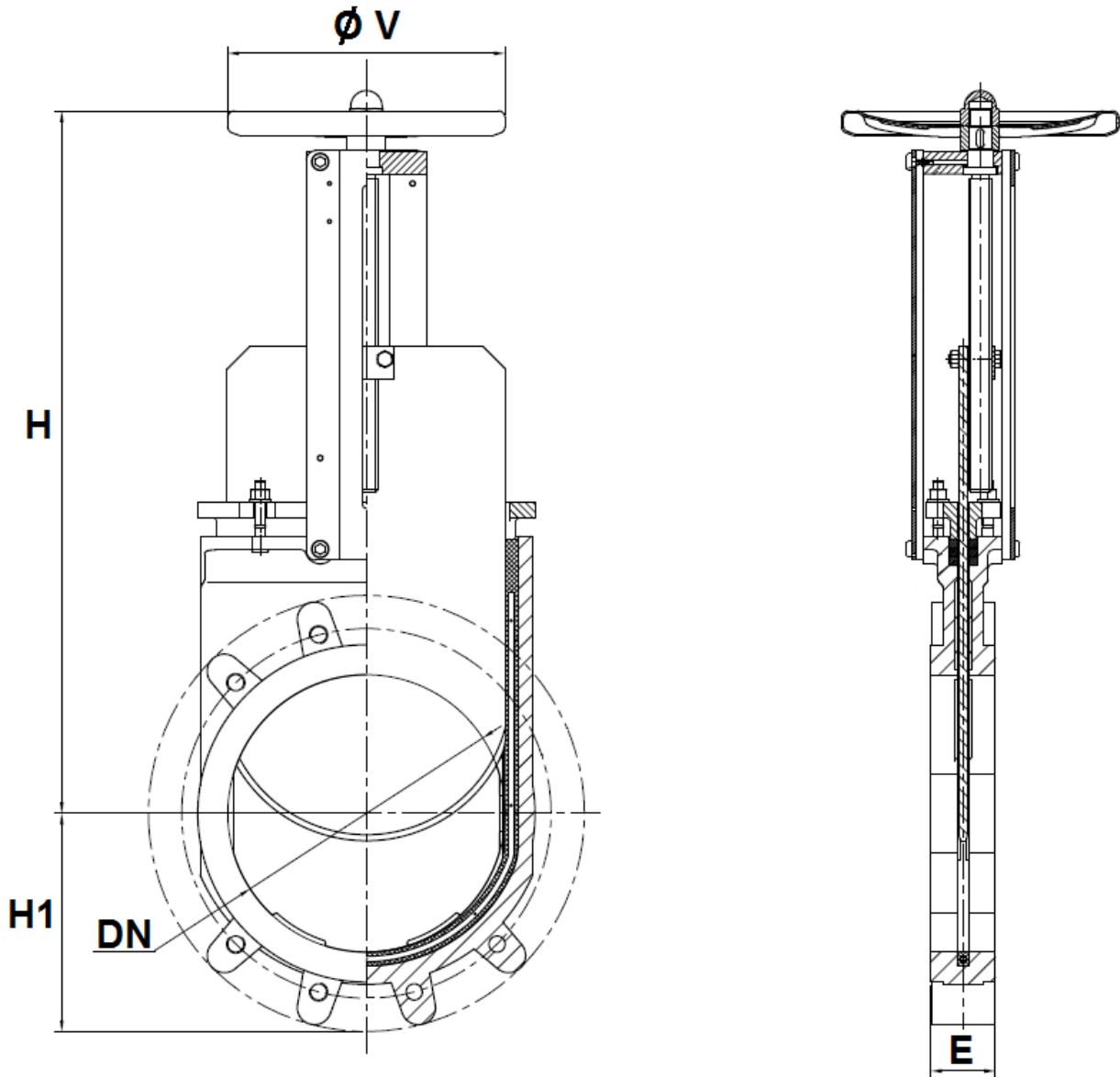
MATERIALS :



| Item | Designation | Materials |
|------|--------------------|----------------------------|
| 1 | Body | Cast iron EN GJL-250 |
| 2 | Gate | AISI 304 |
| 3 | Packing gland | Ductile Iron EN GJS-400-15 |
| 4 | Seat | EPDM |
| 5 | Support | Painted steel |
| 6 | Packing (Tress) | PTFE |
| 7 | Packing (O ring) | EPDM |
| 8 | Yoke | A3 Steel |
| 9 | Greaser | Steel |
| 10 | Stem nut | Bronze |
| 11 | Stem | AISI 304 |
| 12 | Stem nut | Bronze |
| 13 | Handwheel | A3 Steel |
| 14 | Ring | Bronze |
| 15 | Pin | Steel |
| 16 | Handwheel nut | Zinc-coated Steel |
| 17 | Bolting | Zinc-coated 8.8 steel |

BIDIRECTIONAL TIGHTNESS GATE VALVE PN10 S-GATE

SIZE (in mm) :

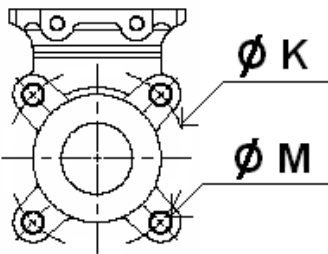


| DN | 50 | 65 | 80 | 100 | 125 | 150 | 200 | 250 | 300 | 350 | 400 | 450 | 500 |
|---------------|-----|-----|-----|-----|------|------|------|------|-----|-----|------|------|------|
| E | 40 | 40 | 50 | 50 | 50 | 60 | 60 | 70 | 70 | 96 | 100 | 106 | 110 |
| H | 286 | 316 | 342 | 382 | 415 | 458 | 575 | 676 | 776 | 906 | 1012 | 1098 | 1210 |
| H1 | 63 | 70 | 92 | 105 | 120 | 130 | 160 | 198 | 234 | 256 | 292 | 308 | 340 |
| Ø V | 200 | 200 | 200 | 200 | 250 | 250 | 300 | 300 | 300 | 500 | 500 | 500 | 500 |
| Weight (Kg) | 6.2 | 6.8 | 8 | 9.9 | 12.7 | 16.9 | 25.4 | 42.7 | 59 | 119 | 144 | 166 | 203 |

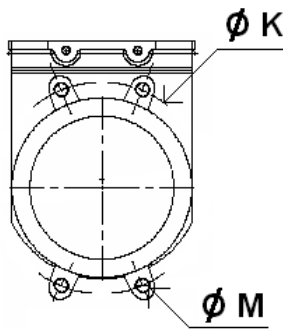
BIDIRECTIONAL TIGHTNESS GATE VALVE PN10 S-GATE

SIZE FIXING VALVE THREADED HOLES (BETWEEN FLANGES PN10 in mm) :

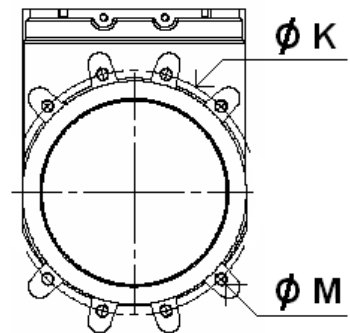
DN 50 – 65



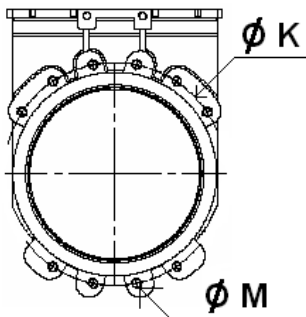
DN 80 – 200



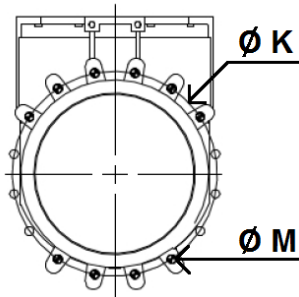
DN 250 - 300



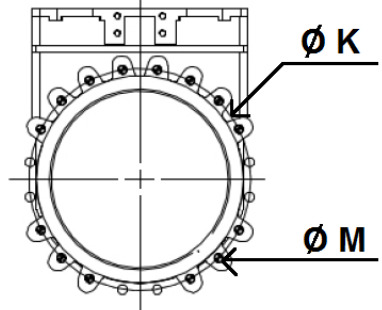
DN 350



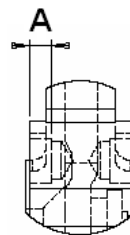
DN 400



DN 450-500



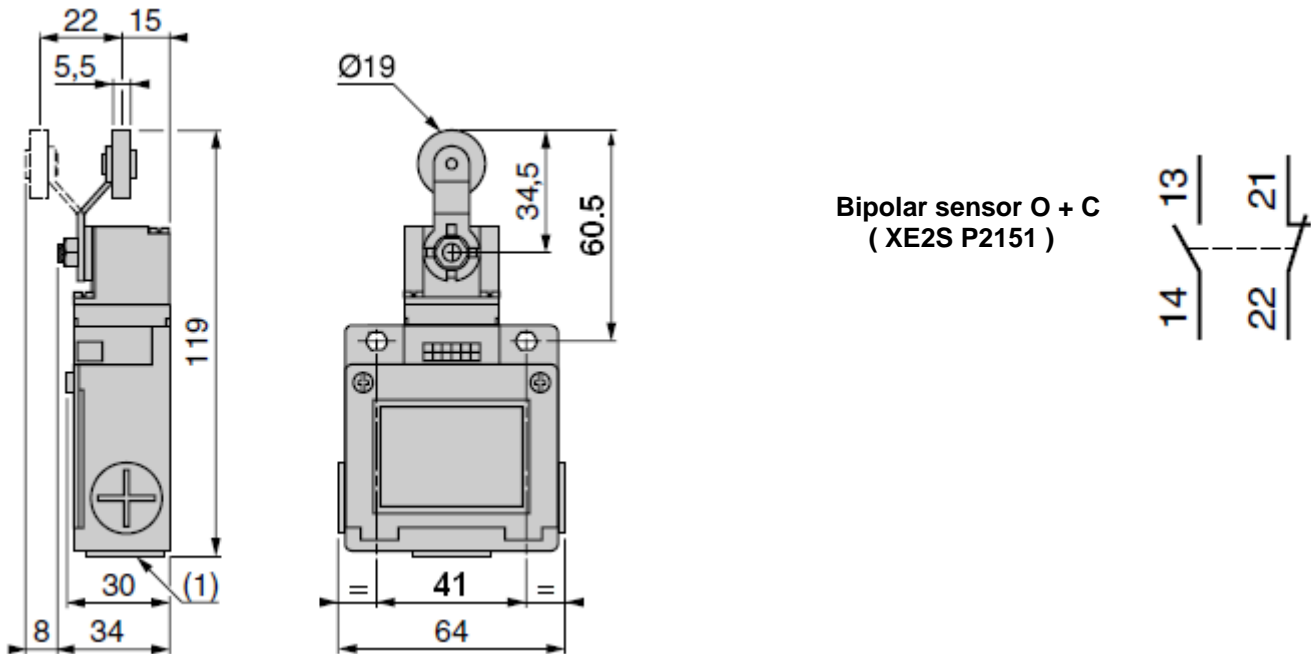
THREADED LENGHT FOR TOP BLIND HOLES :



| DN | 50 | 65 | 80 | 100 | 125 | 150 | 200 | 250 | 300 | 350 | 400 | 450 | 500 |
|------------------|-----|-----|-----|-----|-----|-----|-----|-----|-----|-----|-----|-----|-----|
| Ø K | 125 | 145 | 160 | 180 | 210 | 240 | 295 | 350 | 400 | 460 | 515 | 565 | 620 |
| Ø M | M16 | M16 | M16 | M16 | M16 | M20 | M20 | M20 | M20 | M20 | M24 | M24 | M24 |
| Nb threaded hole | 4 | 4 | 4 | 4 | 4 | 4 | 4 | 8 | 8 | 10 | 10 | 14 | 14 |
| A | 8 | 8 | 9 | 9 | 9 | 10 | 10 | 12 | 12 | 20 | 20 | 24 | 24 |

BIDIRECTIONAL TIGHTNESS GATE VALVE PN10 S-GATE

SENSOR SIZE (in mm) AND SCHEMA :



STANDARDS :

- Fabrication according to ISO 9001 : 2008
- DIRECTIVE 2014/68/EU : Products excluded from directive (Article 4, § 3)
- Certificate 3.1 on request
- Pressure test according to ISO 5208, Rate A
- Between flanges PN10 according to EN 1092-2 PN10

ADVICE : Our opinion and our advice are not guaranteed and SFERACO shall not be liable for the consequences of damages. The customer must check the right choice of the products with the real service conditions.

BIDIRECTIONAL TIGHTNESS GATE VALVE PN10 S-GATE

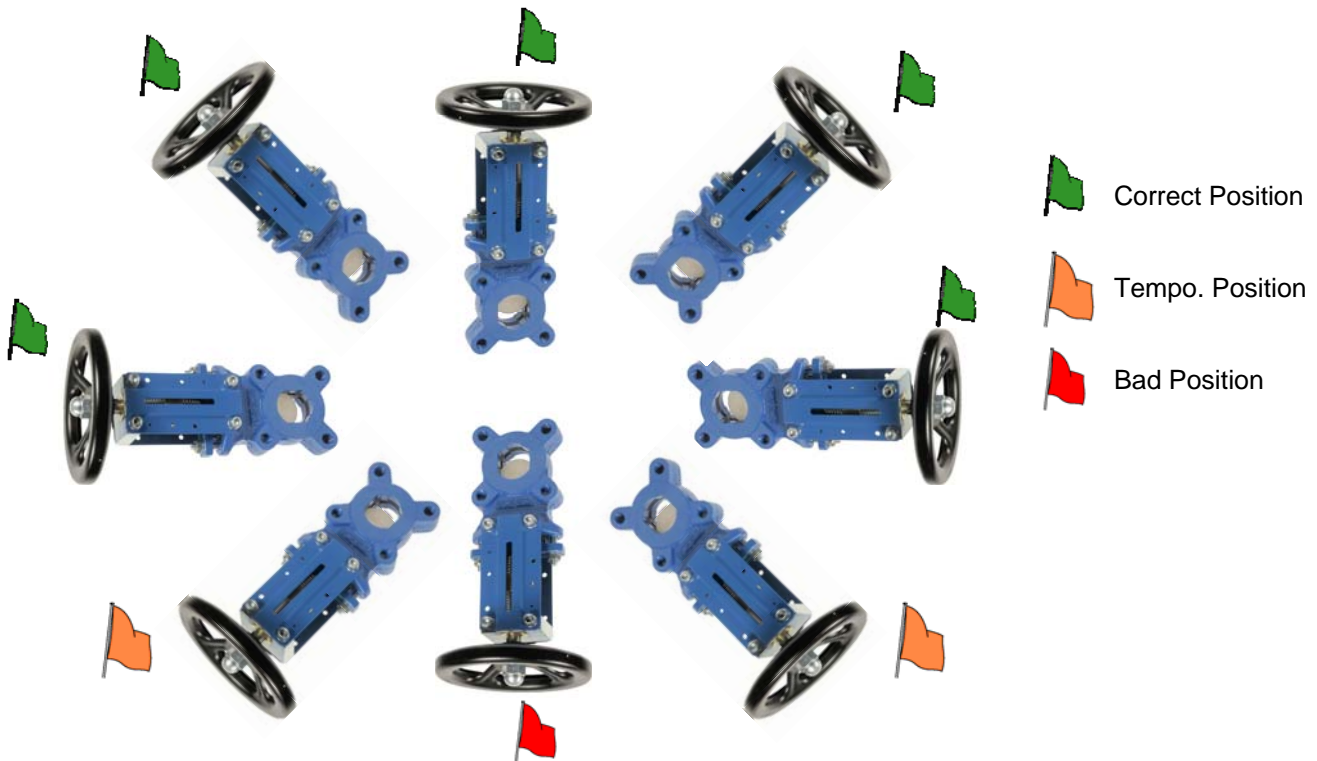
INSTALLATION INSTRUCTIONS :

GENERAL GUIDELINES :

- Ensure that the valves to be used are appropriate for the conditions of the installation (type of fluid, pressure and temperature).
- Be sure to have enough valves to be able to isolate the sections of piping as well as the appropriate equipment for maintenance and repair.
- Ensure that the valves to be installed are of correct strength to be able to support the capacity of their usage.
- **Installation of all circuits should ensure that their function can be automatically tested on a regular basis (at least two times a year).**

INSTALLATION INSTRUCTIONS :

- **Before installing the valves, clean and remove any objects from the pipes** (in particular bits of sealing and metal) which could obstruct and block the valves.
- **Ensure that both connecting pipes either side of the valve (upstream and downstream) are aligned** (if they're not, the valves may not work correctly).
- **Make sure that the two sections of the pipe (upstream and downstream) match, the valve unit will not absorb any gaps. Any distortions in the pipes may affect the tightness of the connection, the working of the valve and can even cause a rupture.** To be sure, place the kit in position to ensure the assembling will work.
- **If sections of piping do not have their final support in place, they should be temporarily fixed. This is to avoid unnecessary strain on the valve.**
- During installation operation, do not carry the valves by the handwheel.
- Valves can be installed in all positions but we recommend the above positions :



BIDIRECTIONAL TIGHTNESS GATE VALVE PN10 S-GATE**INSTALLATION INSTRUCTIONS (SUITE) :**

- If the valve is installed at the end of the pipe, it must be between 2 flanges.
- Tighten the bolts in cross. For blind holes, use studs to have a good tightening and tighten them carefully so that they don't touch the gate.
- During cleaning operation, the valves must be opened.
- Tests must be done with cleaned installation and pipe.
- Test must be done with partially opened valve. Test pressure must not exceed valve specification according to ISO 5208.
- Open carefully the valve.
- Tighten the gland packing at the first start of the installation (with a moderate torque) so that there's no leakage and the handwheel is easy to operate. Make sure there's no contact between the gate and the gland.
- Keep greased the stem.
- It's recommended to operate the valve (open and close) 1 time per month