

**DUCTILE IRON GLOBE VALVE WITH BELLOW PN16/25**



**Certificate 3.1**

**Size :** DN 15 to DN 200  
**Ends :** Flanges R.F. PN16/25  
**Min Temperature :** - 10°C  
**Max Temperature :** + 350°C  
**Max Pressure :** 25 Bars up to DN50 (16 bars over)  
**Specifications :** Non rising stem  
Bolted bonnet and gland pack  
Stainless steel bellow

**Materials :** Ductile iron body EN GJS-400-18 or A216WCB

**DUCTILE IRON GLOBE VALVE WITH BELLOW PN16/25**
**SPECIFICATIONS :**

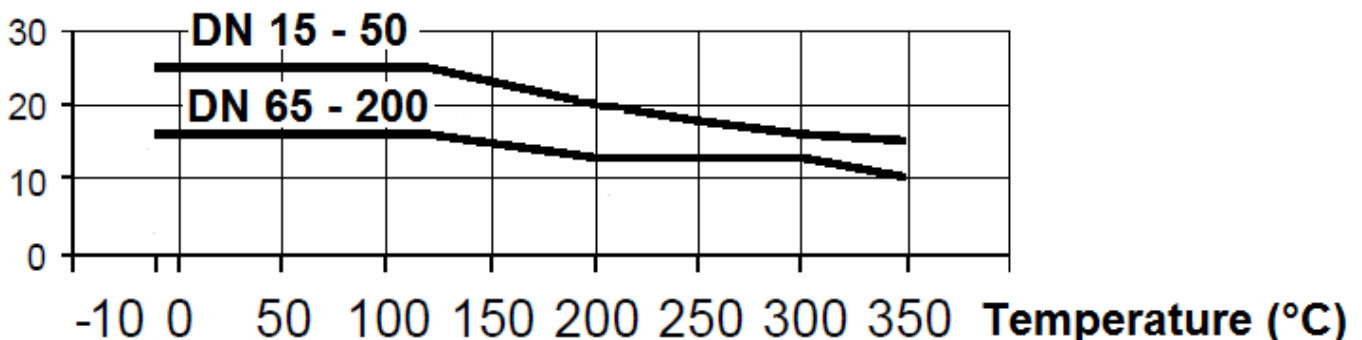
- Respect the flow direction indicated by the arrow
- Non rising stem
- Bolted bonnet and gland pack
- Stainless steel bellow
- Pressure equalizing plug in DN200
- Pressed seat in the body
- Anti-turn device to avoid the risk of torsion of bellows
- Flanges R.F. PN25 up to DN50, PN16 over
- RAL 9006 grey painting, 40µm thickness

**USE :**

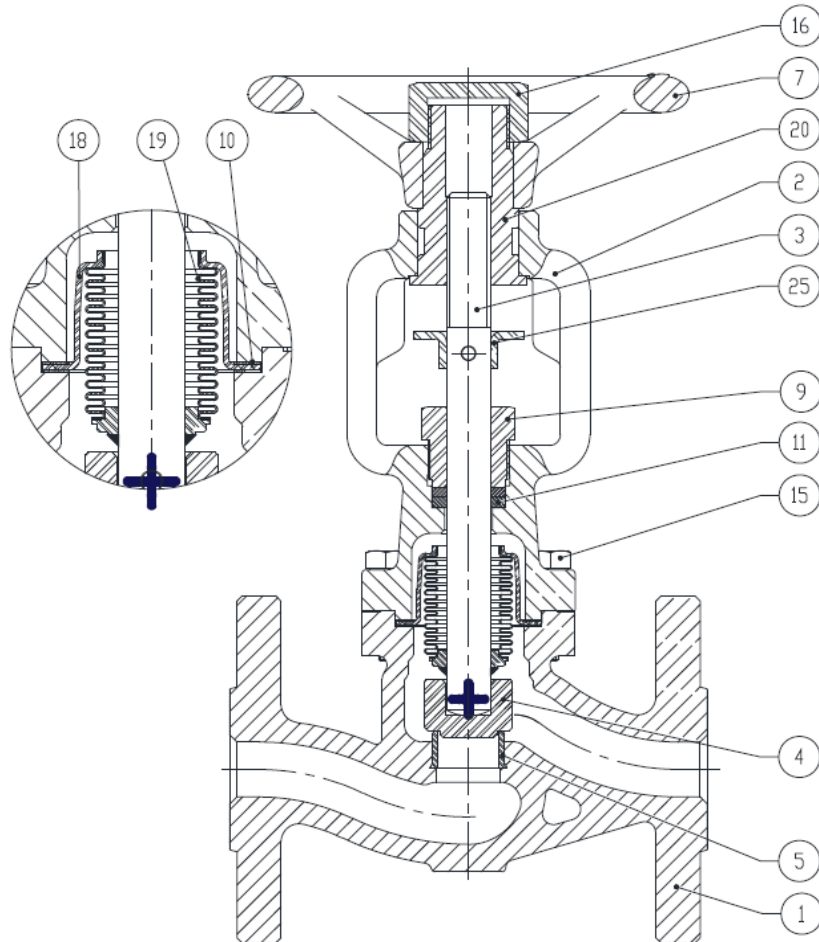
- Common fluids of 2<sup>nd</sup> group , steam , thermic fluid
- Min and Max Temperature Ts : - 10°C to + 350°C
- Max Pressure Ps : 25 bars up to DN50, 16 over ( see graph )
- Δp 16 bars max for DN125, 15 bars max for DN150, 16 bars max for DN200
- Keep greased the stem
- **Steam : 10 bars max**

**FLOW COEFFICIENT Kvs ( M3 / h ) :**

DN	15	20	25	32	40	50	65	80	100	125	150	200
Kvs ( m3/h )	3.8	7	10	19	35	43	60	110	146	210	300	670

**PRESSURE / TEMPERATURE GRAPH :**
**Pressure**
**( Bar )**

**RANGE :**


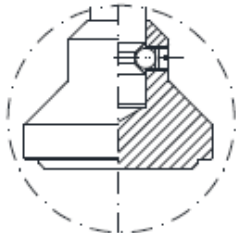
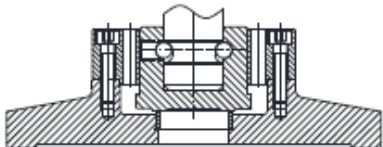

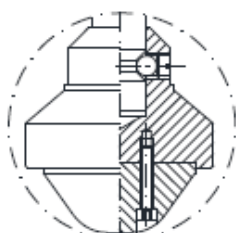
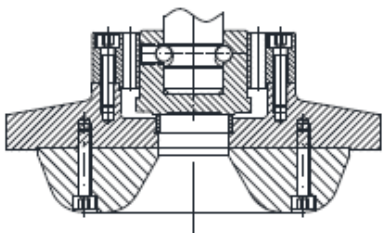
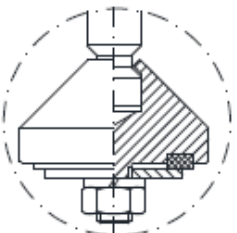
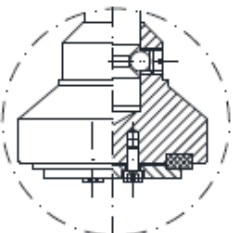
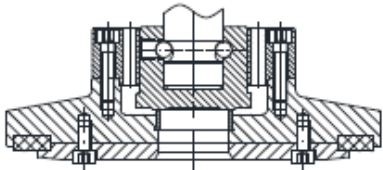
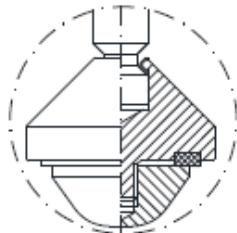
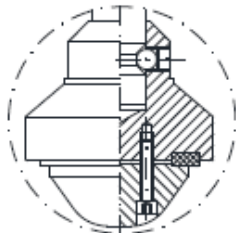
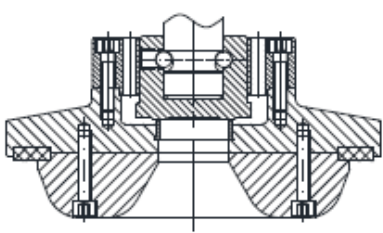
- Ductile iron globe valve with stainless steel bellow flanged R.F. PN25 up to DN50, PN16 over **Ref. 476** DN 15 to DN 100
- Carbon steel body globe valve with stainless steel bellow flanged R.F. PN16 **Ref. 476** DN 125 to DN 200

**DUCTILE IRON GLOBE VALVE WITH BELLOW PN16/25**
**MATERIALS :**


Item	Designation	Materials DN15-50	Materials DN65-100	Materials DN125-200
1	Body	Ductile iron EN GJS-400-18	Ductile iron EN GJS-400-18	Carbon steel A216 WCB 1.0619
2	Bonnet	A216 WCB 1.0619	EN GJS-400-18	EN GJS-400-18
3	Stem		AISI 303 ( 1.4305 )	
4	Disc		AISI 420 ( 1.4021 )	
5	Seat		X 22 CrNi 17 ( 1.4059 )	
7	Handwheel		EN GJS-400	
9	Gland		Steel EN 10087	
10	Gasket		Graphite	
11	Packing		Graphite	
15	Screw		Steel C35E	
16	Handwheel nut		Steel EN 10087	
18	Hood		AISI 303 ( 1.4305 )	
19	Bellow		AISI 316 Ti (1.4571)	
20	Threaded bushing		Steel EN 10087	
25	Anti turn device		Steel EN 10025	
	Lubricator		Brass	

**DUCTILE IRON GLOBE VALVE WITH BELLOW PN16/25**

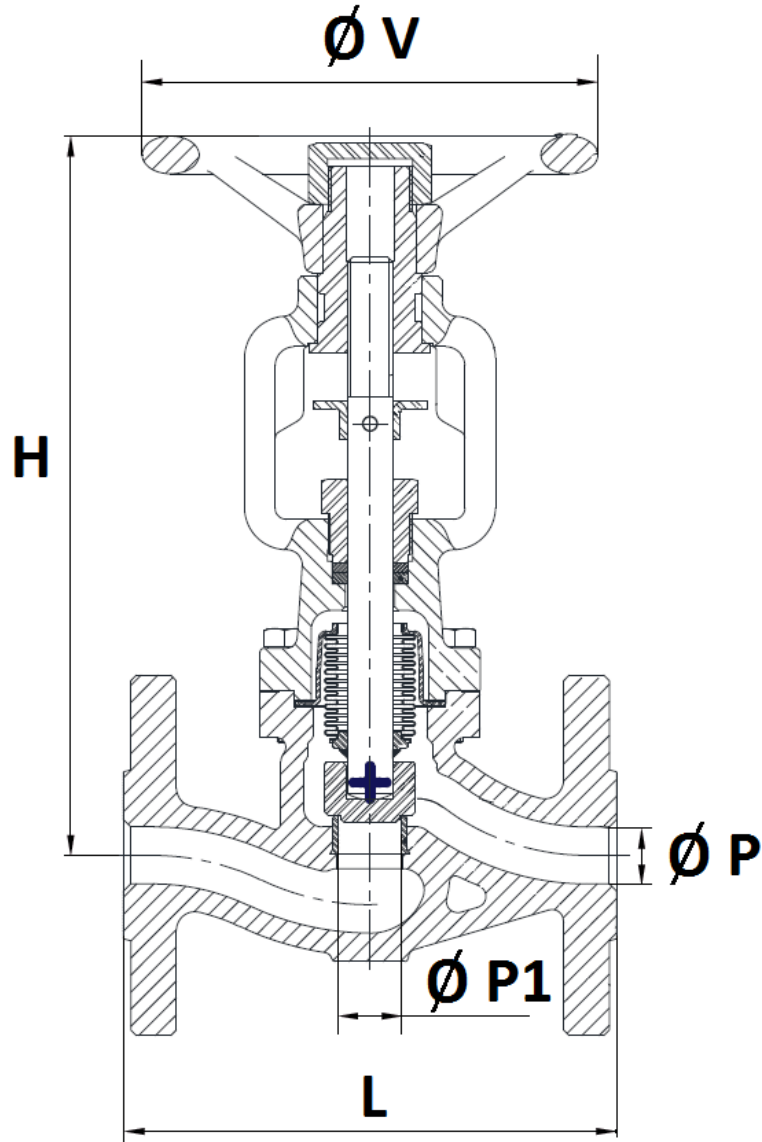
DISC OPTIONS :

DN 15-65	DN 80-150	DN 200
<b>STANDARD DISC</b>		
		
<b>OPTION A : THROTTLING PLUG*</b>		
		
<b>OPTION B : DISC WITH SOFT SEAT*</b>		
		
<b>OPTION C : THROTTLING PLUG + SOFT SEAT*</b>		
		

\* :ON REQUEST

**DUCTILE IRON GLOBE VALVE WITH BELLOW PN16/25**

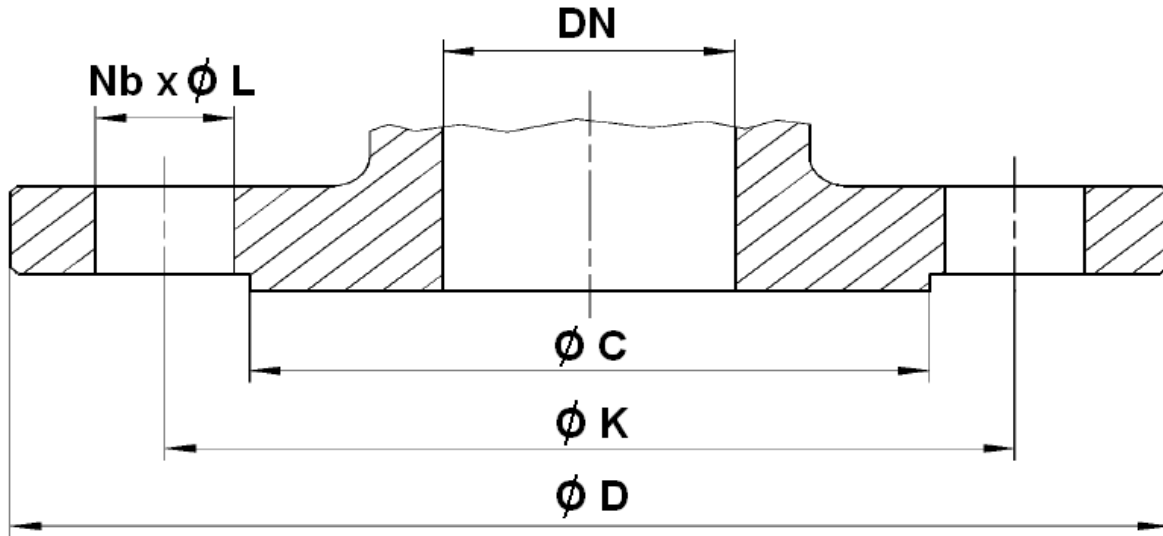
SIZE ( in mm ) :



DN	15	20	25	32	40	50	65	80	100	125	150	200
L	130	150	160	180	200	230	290	310	350	400	480	600
$\varnothing P$	15	20	25	32	40	50	65	80	100	125	150	200
$\varnothing P1$	16.5	20.5	25.2	30	40.8	50.5	66	81	104.5	126	150.5	205
H	190	195	220	219	256	265	328	341	376	488	531	685
$\varnothing V$	120	120	140	140	180	180	200	200	250	275	275	400
Weight (Kg)	3.2	4.4	4.8	6.3	11	13	21.3	26.4	40	53.5	84	157

**DUCTILE IRON GLOBE VALVE WITH BELLOW PN16/25**

FLANGES SIZE ( in mm ) :



Ref.	DN	15	20	25	32	40	50	65	80	100	125	150	200
476	Ø C	46	56	65	76	84	99	118	132	156	184	211	266
	Ø D	95	105	115	140	150	165	185	200	220	250	285	340
	Ø K	65	75	85	100	110	125	145	160	180	210	240	295
	Nb x Ø L	4 x 14	4 x 14	4 x 14	4 x 19	4 x 19	4 x 19	4 x 19	8 x 19	8 x 19	8 x 19	8 x 23	12 x 23

**DUCTILE IRON GLOBE VALVE WITH BELLOW PN16/25**

**STANDARDS :**

- Fabrication according to ISO 9001 : 2015
- DIRECTIVE 2014/68/EU : CE N° 0035  
Risk category III Module H
- Certificate 3.1 on request
- Designing according to DIN 3840
- Marking according to EN 19
- Pressure Tests according to EN 12266-1, Rate A
- Length according to EN 558 series 1 ( DIN 3202 F1 )
- Flanges R.F. according to EN 1092-2 PN16-PN25

**ADVICE :** Our opinion and our advice are not guaranteed and SFERACO shall not be liable for the consequences of damages.  
The customer must check the right choice of the products with the real service conditions.

## **DUCTILE IRON GLOBE VALVE WITH BELLOW PN16/25**

### **INSTALLATION INSTRUCTIONS**

#### **GENERAL GUIDELINES :**

- Ensure that the valves to be used are appropriate for the conditions of the installation (type of fluid, pressure and temperature).
- Be sure to have enough valves to be able to isolate the sections of piping as well as the appropriate equipment for maintenance and repair.
- Ensure that the valves to be installed are of correct strength to be able to support the capacity of their usage.
- **Installation of all circuits should ensure that their function can be automatically tested on a regular basis (at least two times a year).**

#### **INSTALLATION INSTRUCTIONS :**

- **Before installing the valves, clean and remove any objects from the pipes** (in particular bits of sealing and metal) which could obstruct and block the valves.
- **Ensure that both connecting pipes either side of the valve (upstream and downstream) are aligned (if they're not, the valves may not work correctly).**
- **Make sure that the two sections of the pipe (upstream and downstream) match, the valve unit will not absorb any gaps. Any distortions in the pipes may affect the tightness of the connection, the working of the valve and can even cause a rupture.** To be sure, place the kit in position to ensure the assembling will work.
- **If sections of piping do not have their final support in place, they should be temporarily fixed. This is to avoid unnecessary strain on the valve.**
- Tighten the bolts in cross.
- It's recommended to operate the valve ( open and close ) 1 to 2 times per year
- Tighten the gland packing at the first start of the installation ( with a moderate torque ) so that there's no leakage and the handwheel is easy to operate.
- Do not use tools to operate the handwheel
- Respect the flow direction indicated by the arrow