

CARBON STEEL GLOBE VALVE PN40



Certificate 3.1

Size : DN 15 to DN 200
Ends : Flanges R.F. PN40
Min Temperature : - 20°C
Max Temperature : + 400°C
Max Pressure : 40 Bars
Specifications : Rising stem and handwheel
Bolted bonnet and gland pack
Stainless steel stem and seat

Materials : Carbon steel ASTM A216 WCB

CARBON STEEL GLOBE VALVE PN40
SPECIFICATIONS :

- Respect the flow direction indicated by the arrow
- Rising stem and handwheel
- Bolted bonnet and gland pack
- Stainless steel stem and seat
- Pressed seat in the body
- Pressure equalizing plug in DN200
- Flanges R.F. PN40
- RAL 5002 blue painting, 40μ thickness

USE :

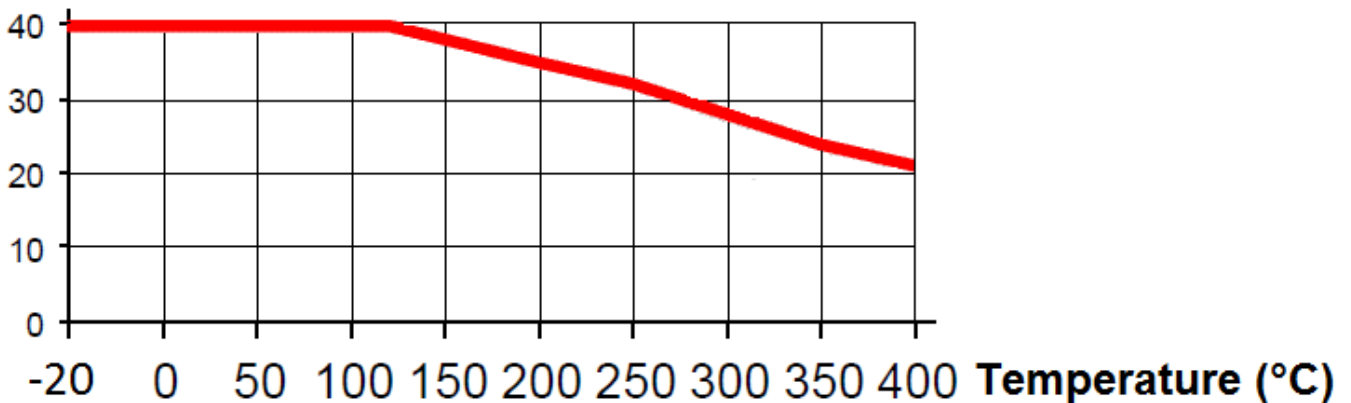
- No corrosive or no toxic fluids, steam, hydrocarbons
- Min and max Temperature Ts : - 20°C to + 400°C
- Max Pressure Ps : 40 bars (see graph under)
- Δp 20 bars max for DN125, 15 bars max for DN150, 19 bars max for DN200
- Keep greased the stem
- Not for thermic fluids
- Tighten the gland packing during setting

FLOW COEFFICIENT Kvs (M3 / h) :

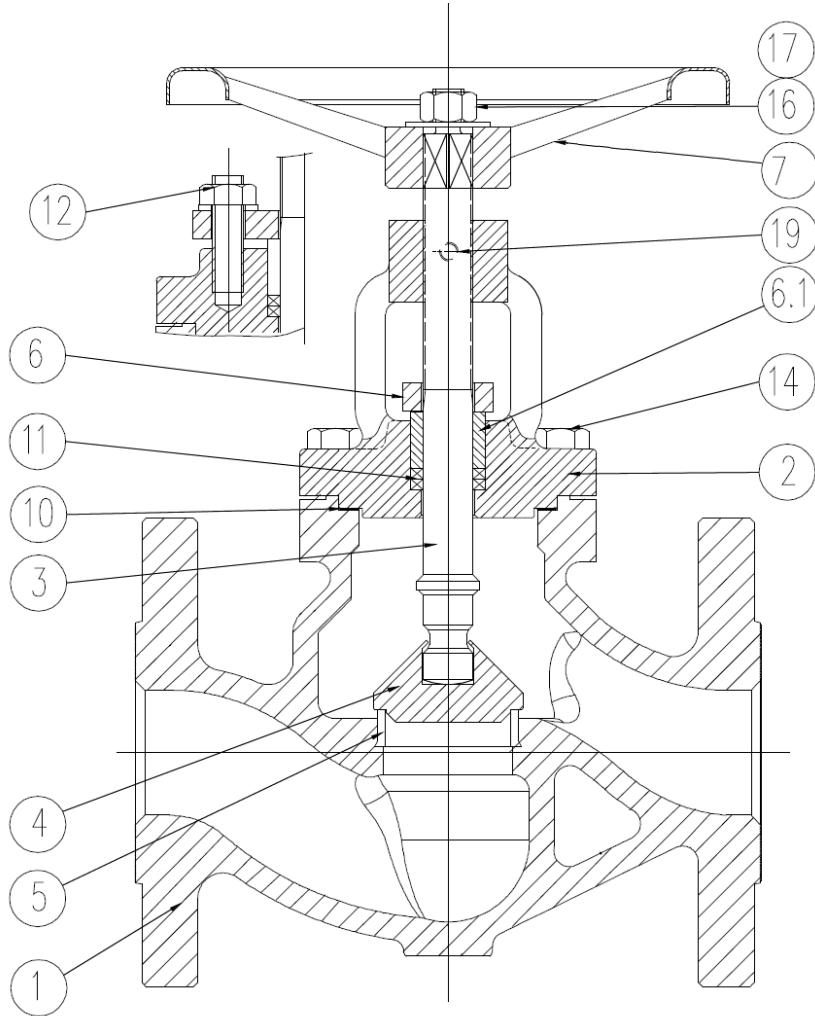
DN	15	20	25	32	40	50	65	80	100	125	150	200
Kvs (m3/h)	4	7	11	19	30	46	70	115	150	220	310	675

PRESSURE / TEMPERATURE GRAPH :

Pression

(Bar)

RANGE :

- Carbon steel globe valve flanges R.F. PN40 from DN 15 to DN 200 **Ref. 471**

CARBON STEEL GLOBE VALVE PN40
MATERIALS :


Item	Designation	Materials DN15-100	Materials DN125-200
1	Body	ASTM A216 WCB (1.0619)	
2	Bonnet	ASTM A216 WCB (1.0619)	
3	Stem	X12 CrNi S 18 8	
4	Disc	AISI 420 (1.4021)	A105 + Stellite
5	Seat	CA6NM	AISI 304
6	Gland	EN 10025	
6.1	Gland ring	EN 10087	
7	Handwheel	EN GJS-400	
10	Gasket	Graphite	
11	Packing	Graphite	
12	Gland bolts	Steel 5.6	
14	Bonnet bolts	Steel C35E	
16	Handwheel nut	Steel 5.6	
17	Washer	Steel	
19	Lubricator	Brass	

CARBON STEEL GLOBE VALVE PN40

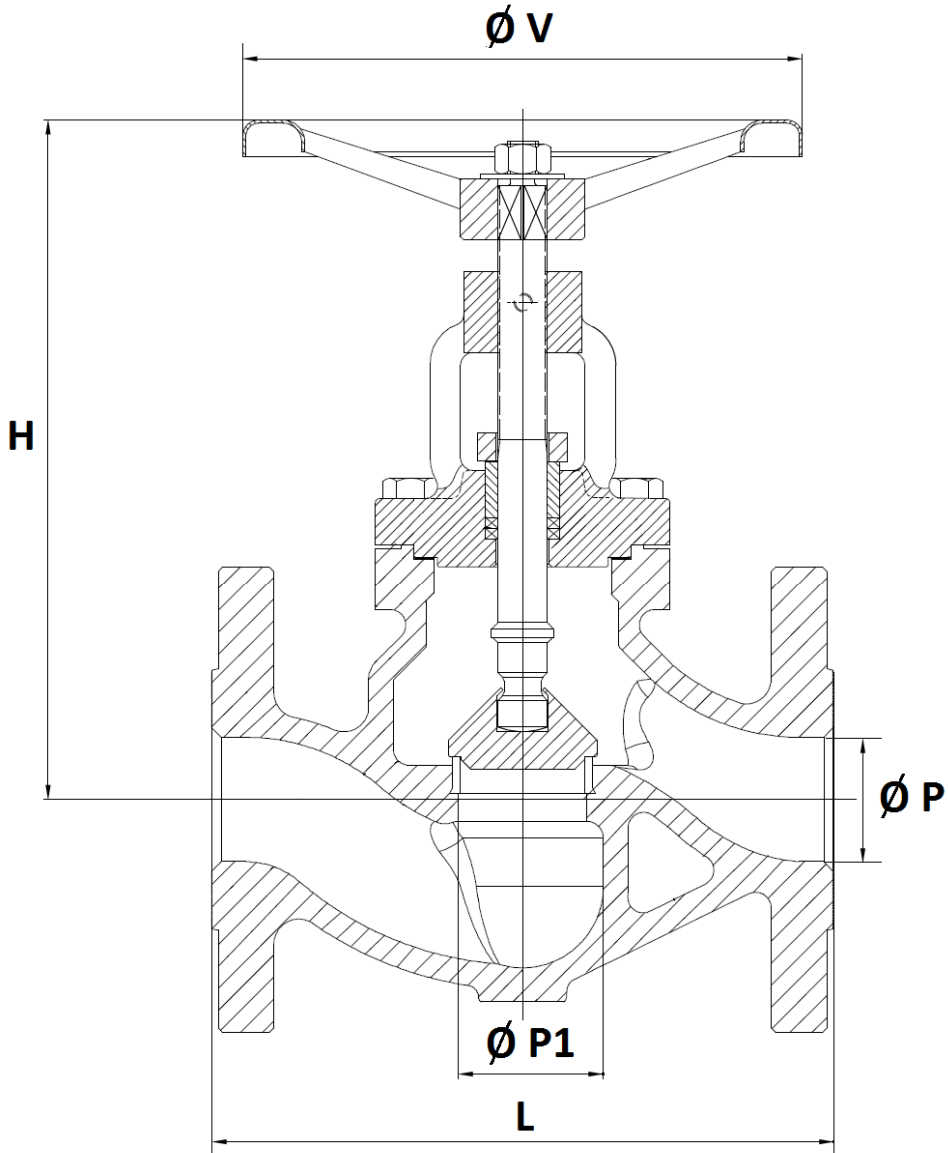
DISC OPTIONS :

DN 15-65	DN 80-150	DN 200
STANDARD DISC		
OPTION A : THROTTLING PLUG*		
OPTION B : DISC WITH SOFT SEAT*		
OPTION C : THROTTLING PLUG + SOFT SEAT*		

* :ON REQUEST

CARBON STEEL GLOBE VALVE PN40

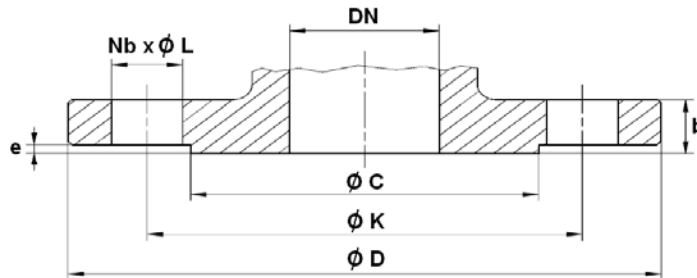
SIZE (in mm):



DN	15	20	25	32	40	50	65	80	100	125	150	200
L	130	150	160	180	200	230	290	310	350	400	480	600
Ø P	15	20	25	32	40	50	65	80	100	125	150	200
Ø P1	16.5	20.5	25.2	30	40.8	50.5	66	81	104.5	126	150.5	205
H	155	160	180	180	220	230	280	285	315	523	541	699
Ø V	120	120	140	140	180	180	200	200	250	275	330	400
Weight (Kg)	3.5	4.3	6.3	7.3	12.5	15	22.5	27.5	42	67	99	200

CARBON STEEL GLOBE VALVE PN40

FLANGES SIZE (in mm) :



DN	15	20	25	32	40	50	65	80	100	125	150	200
Ø C	45	58	68	78	88	102	122	138	162	188	218	285
Ø D	95	105	115	140	150	165	185	200	235	270	300	375
Ø K	65	75	85	100	110	125	145	160	190	220	250	320
Nb x Ø L	4 x 14	4 x 14	4 x 14	4 x 18	4 x 18	4 x 18	8 x 18	8 x 18	8 x 22	8 x 26	8 x 26	12 x 30
b	16	18	18	18	18	20	22	24	24	26	28	34
e	2	2	2	2	3	3	3	3	3	3	3	3

STANDARDS :

- Fabrication according to ISO 9001 :2015
- DIRECTIVE 2014/68/EU : CE N° 0035
Risk category III Module H
- Certificate 3.1 on request
- Designing according to DIN 3840
- Marking according to EN 19
- Pressure Tests according to EN 12266-1, Rate A
- Length according to EN 558 series 1 (DIN 3202 F1)
- Flanges R.F. according to EN 1092-1 PN40

ADVICE : Our opinion and our advice are not guaranteed and SFERACO shall not be liable for the consequences of damages. The customer must check the right choice of the products with the real service conditions.

CARBON STEEL GLOBE VALVE PN40

INSTALLATION INSTRUCTIONS

GENERAL GUIDELINES :

- Ensure that the valves to be used are appropriate for the conditions of the installation (type of fluid, pressure and temperature).
- Be sure to have enough valves to be able to isolate the sections of piping as well as the appropriate equipment for maintenance and repair.
- Ensure that the valves to be installed are of correct strength to be able to support the capacity of their usage.
- **Installation of all circuits should ensure that their function can be automatically tested on a regular basis (at least two times a year).**

INSTALLATION INSTRUCTIONS :

- **Before installing the valves, clean and remove any objects from the pipes** (in particular bits of sealing and metal) which could obstruct and block the valves.
- **Ensure that both connecting pipes either side of the valve (upstream and downstream) are aligned (if they're not, the valves may not work correctly).**
- **Make sure that the two sections of the pipe (upstream and downstream) match, the valve unit will not absorb any gaps. Any distortions in the pipes may affect the tightness of the connection, the working of the valve and can even cause a rupture.** To be sure, place the kit in position to ensure the assembling will work.
- **If sections of piping do not have their final support in place, they should be temporarily fixed. This is to avoid unnecessary strain on the valve.**
- Tighten the bolts in cross.
- It's recommended to operate the valve (open and close) 1 to 2 times per year
- Tighten the gland packing at the first start of the installation (with a moderate torque) so that there's no leakage and the handwheel is easy to operate.
- Do not use tools to operate the handwheel
- Respect the flow direction indicated by the arrow