

**2 PIECES A105N FORGED BALL VALVE CLASS 1500**

2 pieces ball valve 1500lbs forged carbon steel with full bore for Chemical and Pharmaceutical industries, petrochemical industries, hydraulic installation, heating and compressed air.

For fluids at high pressure and high temperature.

PTFE filled with 25% Carbon packing and body gasket and PEEK seat.

Compatible with explosive atmosphere, ATEX Zone 1&21 and Zone 2&22 thanks to the double antistatic device.

Handling possible with locking device, stainless steel handle or oval hand wheel.



**NACE**  
**MR01-75**

**Certificate**  
**3.1**



PED 2014/68/UE



ISO 9001 : 2015



**Size :** DN 1/4" to DN 2"

**Ends:** Threaded female BSP or NPT, SW

**Min Temperature :** -20°C

**Max Temperature :** +250°C

**Max Pressure :** 255 Bars (Class 1500)

**Specifications :** Anti blow-out stem

ATEX

Antistatice device

Full bore

PEEK seat

**Materials :** Forged Carbon Steel ASTM A105N

## 2 PIECES A105N FORGED BALL VALVE CLASS 1500

**SPECIFICATIONS :**

- Full bore
- Anti blow-out stem
- Class 1500
- Atex
- Antistatic device
- 2 pieces type
- Galvanized carbon steel with anti corrosion 8 $\mu$  thickness
- NACE MR01-75

**USE :**

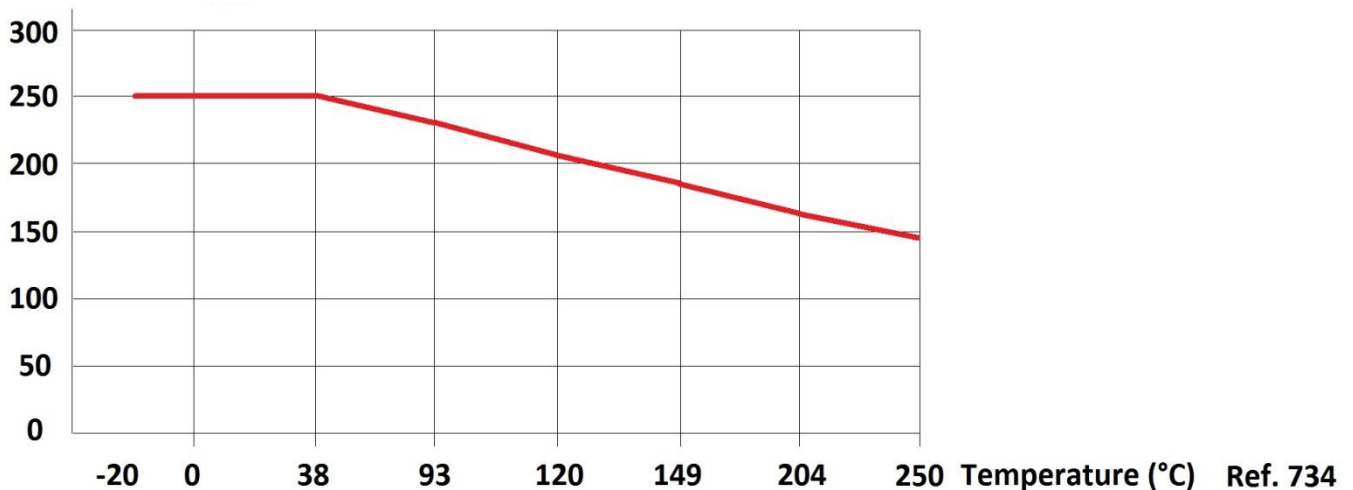
- Chemical and pharmaceutical industries, petrochemical industries, hydraulic installation, compressed air
- Min and max Temperature Ts : - 20°C to + 250°C
- Max Pressure Ps : 255 bars
- Steam : 30 bars maximum

**PRESSURE / TEMPERATURE RELATION :**

Pressure ( Bar )	255	255	229	204	183	165	145
Temperature ( °C )	-20	38	93	120	149	204	250

**PRESSURE / TEMPERATURE GRAPH ( STEAM EXCLUDED ):**

Pressure (Bar)



**2 PIECES A105N FORGED BALL VALVE CLASS 1500**
**TORQUES VALUES (in Nm without safety coefficient) :**

DN (mm)	8	10	15	20	25	32	40	50
NPS (")	1/4"	3/8"	1/2"	3/4"	1"	1"1/4"	1"1/2"	2"
Torque (Nm)	15	15	15	15	31	81	97	129

**RANGE :**


- Ball valve Class 1500 forged carbon steel body ASTM A105N Ref. 734 DN 1/4" to DN 2"



- Stainless steel AISI 304 Handle with red cover

DN (mm)	8-10	15	20-25	32-40	50
NPS (")	1/4" - 3/8"	1/2"	3/4" - 1"	1"1/4 - 1"1/2"	2"
Ref.	9830320	9830316	9830317	9830318	9830321



- Locking device (with padlock)

DN (mm)	8-10	15	20-25	32-40	50
NPS (")	1/4" - 3/8"	1/2"	3/4" - 1"	1"1/4 - 1"1/2"	2"
Ref.	9830301	9830313	9830314	9830315	9830496



- Galvanized steel handwheel

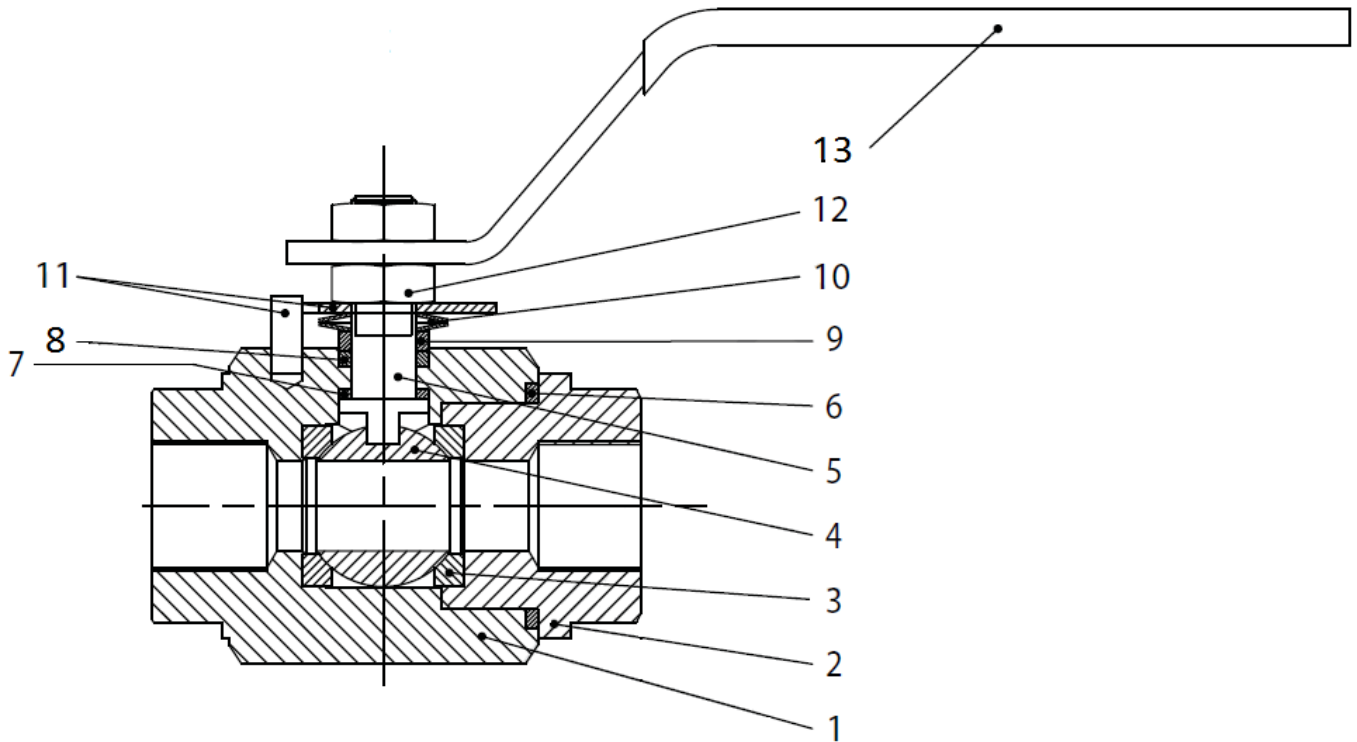
DN (mm)	8-10	15	20-25	32-40	50
NPS (")	1/4" - 3/8"	1/2"	3/4" - 1"	1"1/4 - 1"1/2"	2"
Ref.	9830571	9830572	9830573	9830574	

**ENDS:**

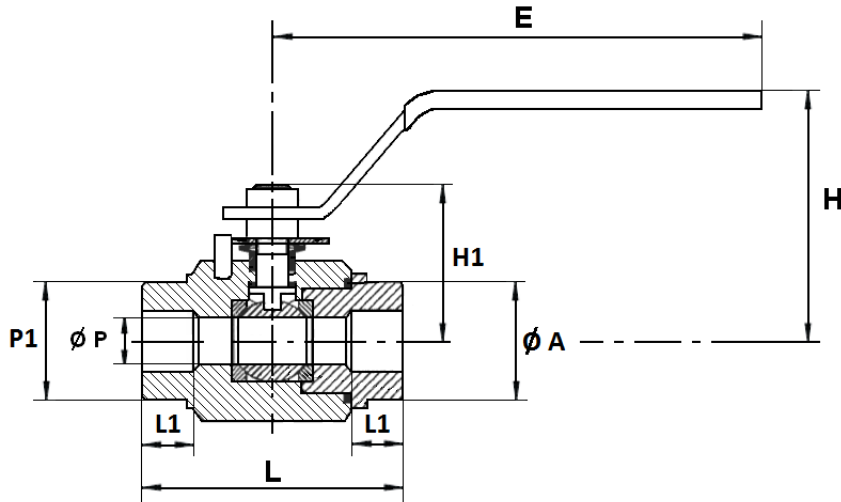
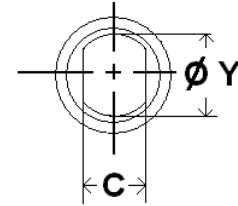
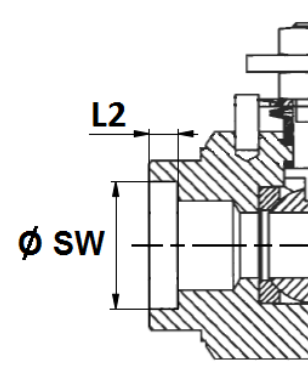
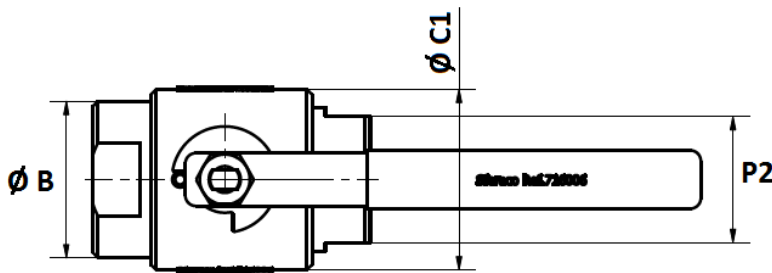
- Female / female threaded cylindrical BSP Ref. 734
- Female / female threaded NPT Ref. 7341
- Socket Welding ends **On Request**

**2 PIECES A105N FORGED BALL VALVE CLASS 1500**

**MATERIALS :**



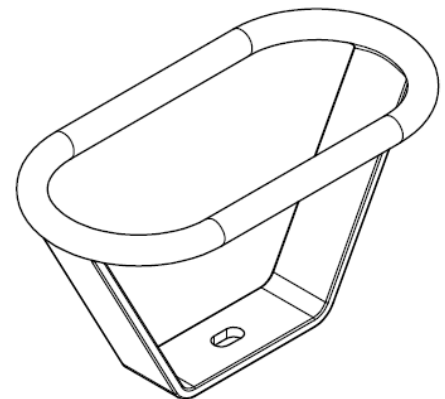
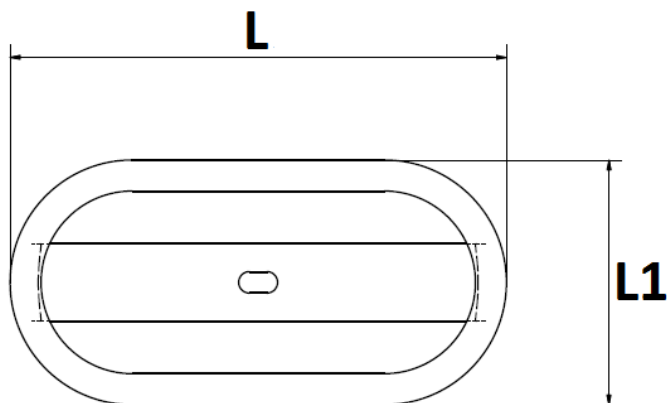
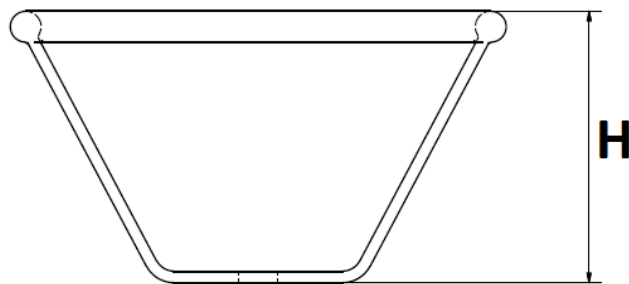
Item	Designation	Materials
1	Body	ASTM A105N
2	Ends	
3	Seat	PEEK
4	Ball	ASTM A182 F316L
5	Stem	
6	Body gasket	PTFE filled with 25% carbon
7	Thrust washer	
8	Packing	
9	Packing gland	ASTM A105N
10	Disc springs	Galvanized steel
11	Stop	
12	Nut	
13	Handle	

**2 PIECES A105N FORGED BALL VALVE CLASS 1500**
**SIZE ( in mm ) :**

**Stem size :**

**SW ends size ( on request ) :**


DN (mm)	8	10	15	20	25	32	40	50
NPS (")	1/4"	3/8"	1/2"	3/4"	1"	1"1/4"	1"1/2"	2"
Ø P	10	10	15	20	25	30	38	48
L	67	67	75	90	105	120	135	155
L1	15	15	19	22	23	27	30	32
E	148	148	148	180	180	240	240	280
H	72	72	75	85	95	100	105	115
H1	41	41	45	57	61	74	80.5	91
P1 (on flat)	30	30	37.5	44.5	52	61.5	71.5	82
P2 (on flat)	29	29	36	45	47.5	57.5	71.5	81.5
Ø A	34.5	34.5	42	51	54.5	64.5	79.5	89.5
Ø B	34.5	34.5	42	51	59	70	80	90
Ø C1	42	42	50	60	68	80	93	104
C	5	5	5.5	7.5	7.5	9	9	9
Ø Y	8	8	10	12	12	14	14	14
Ø SW	14.3	17.8	21.8	27.3	34	42.6	48.7	61.3
L2	9.5	9.5	9.5	11.5	13	14	16	17
Weight (in Kg)	0.6	0.6	0.8	1.5	2	3.3	4.5	6

**2 PIECES A105N FORGED BALL VALVE CLASS 1500**

HANDWHEEL SIZE ( in mm ) :



DN (mm)	8	10	15	20	25	32	40	50
NPS (")	1/4"	3/8"	1/2"	3/4"	1"	1 1/4"	1 1/2"	2"
H	77	70	70	69	64	77	80	80
L	130	128	133	133	130	210	205	205
L1	68	63	68	77	82	87	105	105
Ref.	9830571	9830571	9830572	9830573	9830573	9830574	9830574	9830574
Weight (Kg)	0.300	0.300	0.380	0.420	0.420	0.460	0.460	0.460

**2 PIECES A105N FORGED BALL VALVE CLASS 1500**

**STANDARDS :**

- Fabrication according to ISO 9001 : 2015
- DIRECTIVE 2014/68/EU : CE N° 0948  
Risk category III Module B+C2
- Certificate 3.1 on request
- Pressure tests according to API 598, table 6
- Designing according to ANSI B16.34
- Threaded female BSP cylindrical ends according to ISO 228/1
- Threaded female NPT ends according to ANSI B1.20.1
- Materials according to NACE MR 01-75
- ATEX Group II Category 2 G/2D Zone 1 & 21 Zone 2 & 22 ( optional marking )

**ADVICE :** Our opinion and our advice are not guaranteed and SFERACO shall not be liable for the consequences of damages.  
The customer must check the right choice of the products with the real service conditions.