

STAINLESS STEEL SWING CHECK VALVE PN16



ISO 9001 : 2015



PED 2014/68/EU



Certificate 3.1



Size : DN 1/4" to 2"
Ends : Female BSP
Min Temperature : - 25°C
Max Temperature : + 180°C
Max Pressure : 16 Bars
Specifications : Swing type
Metal / metal thickness
Weak head loss

Materials : Stainless steel ASTM A351 CF8M

STAINLESS STEEL SWING CHECK VALVE PN16

SPECIFICATIONS :

- Vertical position with ascendant fluid or horizontal position
- Respect the flow direction indicated by the arrow
- Female cylindrical threaded BSP ends
- Swing type
- Metal / metal thickness

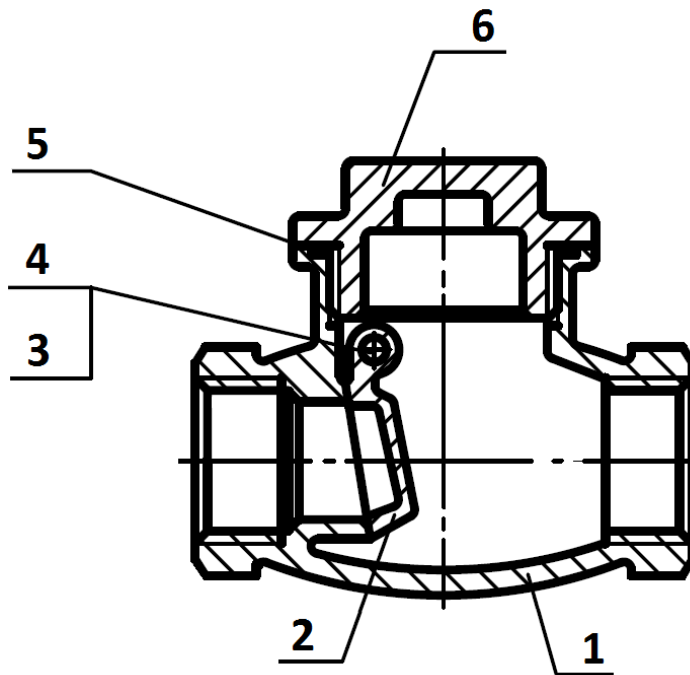
USE :

- Chemical and pharmaceutical industries, petrochemical industries, hydraulic installation
- Min Temperature Ts : - 25°C
- Max Temperature Ts :+ 180°C
- Max Pressure Ps : 16 bars

RANGE :

- Female cylindrical threaded BSP ends from DN 1/4" to DN 2"

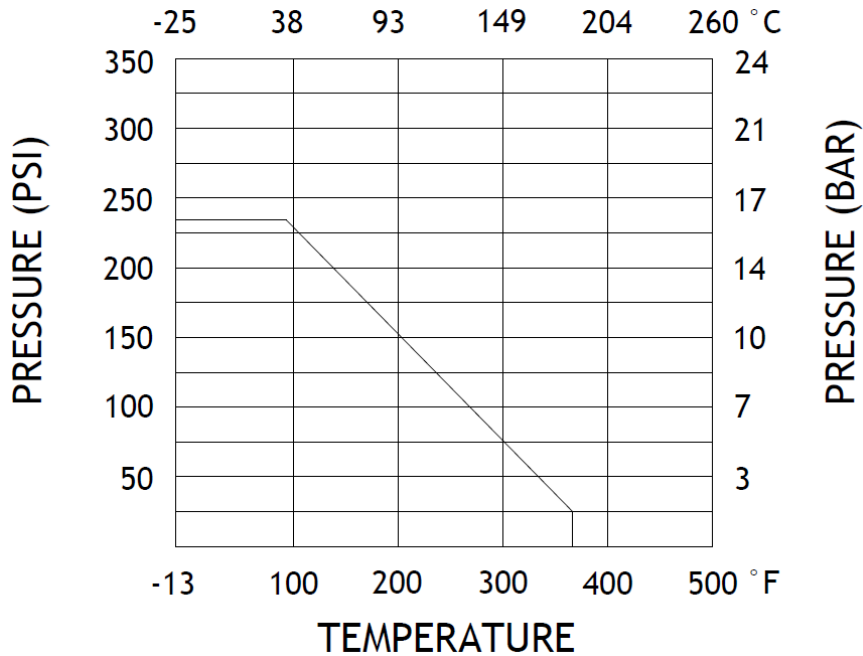
MATERIALS :



Item	Designation	Materials
1	Body	ASTM A351 CF8M
2	Disc	ASTM A351 CF8M
3	Stem	AISI 316
4	Stem gasket	PTFE
5	Bonnet gasket	PTFE
6	Bonnet	ASTM A351 CF8M

STAINLESS STEEL SWING CHECK VALVE PN16

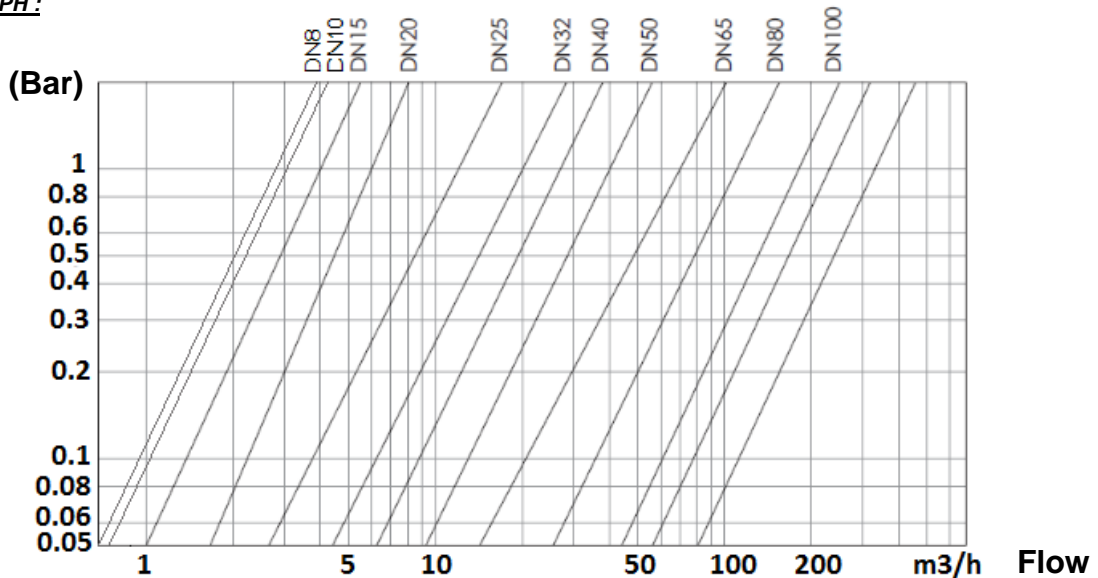
PRESSURE / TEMPERATURE GRAPH (STEAM EXCLUDED) :



FLOW COEFFICIENT Kvs (M3 / h) :

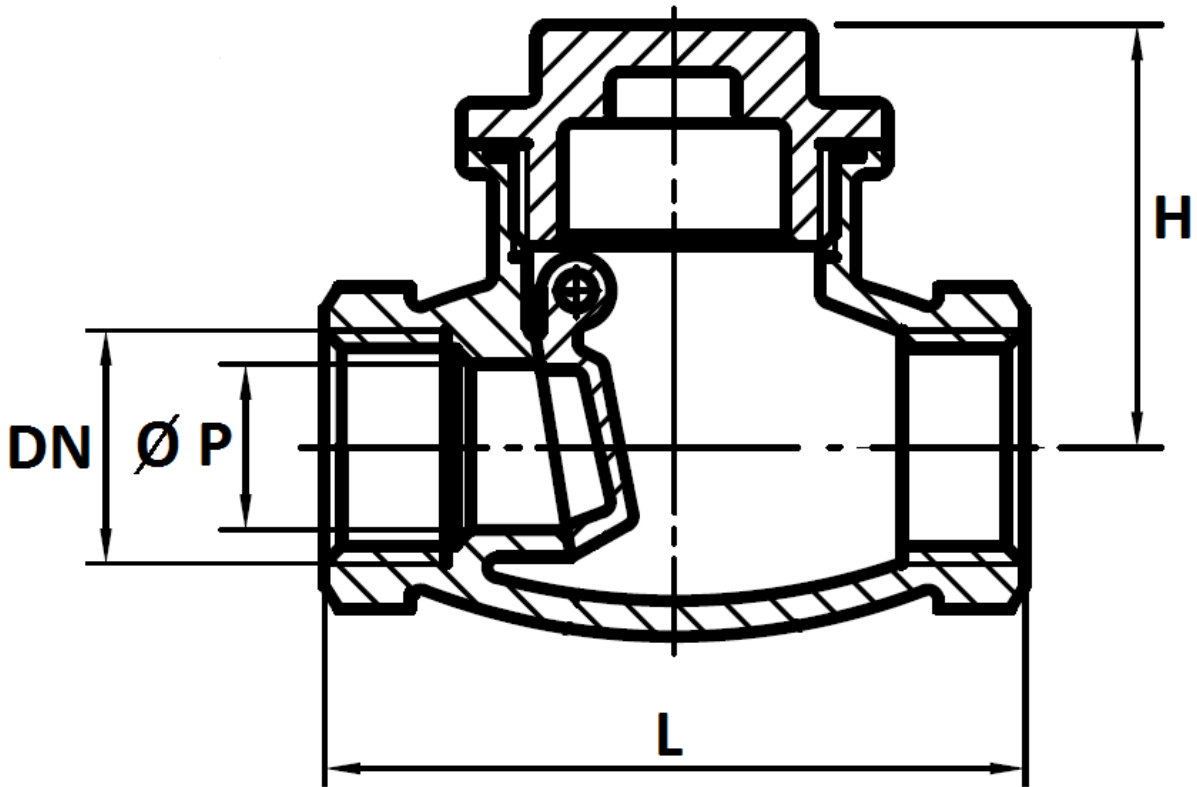
DN	1/4"	3/8"	1/2"	3/4"	1"	1"1/4"	1"1/2"	2"
Kvs (m3/h)	2.6	3.1	4.4	6.8	10	17	26	43

HEAD LOSS GRAPH :



STAINLESS STEEL SWING CHECK VALVE PN16

SIZE (in mm):



Ref.	DN	1/4"	3/8"	1/2"	3/4"	1"	1"1/4	1"1/2	2"
320	Ø P	10	12	15	20	25	32	40	50
	L	63	63	63	78	87	100	115	135
	H	42	42	42	46	50	54	64	71
	Weight(in Kg)	0.27	0.26	0.23	0.35	0.54	0.81	1.01	1.62

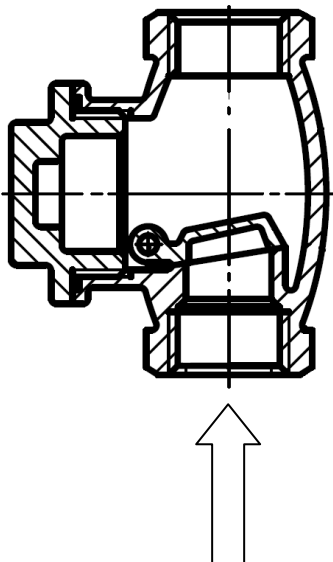
STAINLESS STEEL SWING CHECK VALVE PN16

STANDARDS :

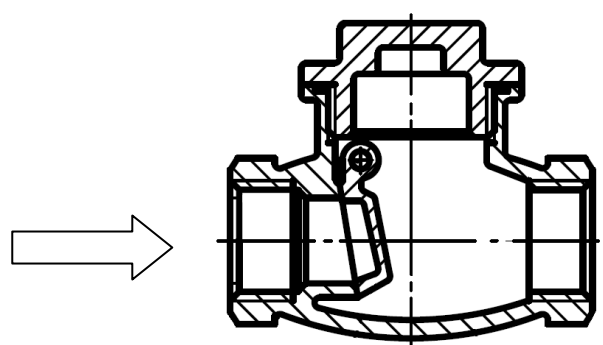
- Fabrication according to ISO 9001 : 2015
- DIRECTIVE 2014/68/EU : CE N° 0036
Risk Category II Module A2
- Certificate 3.1 on request
- Pressure tests according to **API 598, table 6**
- Threaded cylindrical female BSP ends according to **ISO 7-1 Rp**
- ATEX Group II Category 2 GD c T2 Zone 1 & 21 Zone 2 & 22 (optional marking)

INSTALLATION POSITIONS :

Vertical position (ascendant fluid)



Horizontal position



ADVICE : Our opinion and our advice are not guaranteed and SFERACO shall not be liable for the consequences of damages.
The customer must check the right choice of the products with the real service conditions.

STAINLESS STEEL SWING CHECK VALVE PN16

INSTALLATION INSTRUCTIONS

GENERAL GUIDELINES :

- Ensure that the check valves to be used are appropriate for the conditions of the installation (type of fluid, pressure and temperature).
- Be sure to have enough valves to be able to isolate the sections of piping as well as the appropriate equipment for maintenance and repair.
- Ensure that the valves to be installed are of correct strength to be able to support the capacity of their usage.

INSTALLATION INSTRUCTIONS :

- **Before installing the check valves, clean and remove any objects from the pipes** (in particular bits of sealing and metal) which could obstruct and block the valves.
- **Ensure that both connecting pipes either side of the check valve (upstream and downstream) are aligned (if they're not, the valves may not work correctly).**
- **Make sure that the two sections of the pipe (upstream and downstream) match, the check valve unit will not absorb any gaps. Any distortions in the pipes may affect the tightness of the connection, the working of the check valve and can even cause a rupture.** To be sure, place the kit in position to ensure the assembling will work.
- **If sections of piping do not have their final support in place, they should be temporarily fixed. This is to avoid unnecessary strain on the check valve.**
- If there is a direction changing or if there's another material, it's better to take away the check valve so that it is outside the turbulence area (**between 3 and 5 times the ND before and after**).
- After a pump please refer to **FD CEN/TR 13932** to install the check valve :
 - If it is essential to keep priming the pump, a non-return check valve can be fitted to the suction pipe at a distance **L1 (straight length suction) > 10xD1 (diameter suction)**
The check valve is designed to meet the maximum flow rate in service
 - In other cases, the non-return check valve is mounted on the discharge pipe at a distance of **L2 (straight length at discharge) > 3xD2 (diameter at discharge)**